



Chipsmall Limited consists of a professional team with an average of over 10 year of expertise in the distribution of electronic components. Based in Hongkong, we have already established firm and mutual-benefit business relationships with customers from,Europe,America and south Asia,supplying obsolete and hard-to-find components to meet their specific needs.

With the principle of “Quality Parts,Customers Priority,Honest Operation,and Considerate Service”,our business mainly focus on the distribution of electronic components. Line cards we deal with include Microchip,ALPS,ROHM,Xilinx,Pulse,ON,Everlight and Freescale. Main products comprise IC,Modules,Potentiometer,IC Socket,Relay,Connector.Our parts cover such applications as commercial,industrial, and automotives areas.

We are looking forward to setting up business relationship with you and hope to provide you with the best service and solution. Let us make a better world for our industry!



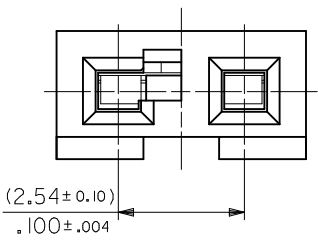
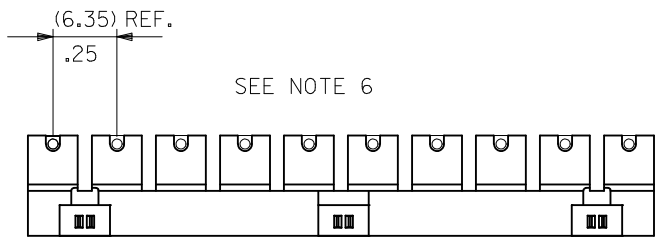
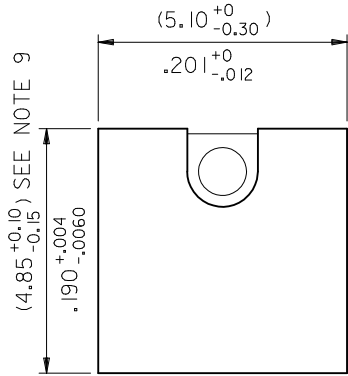
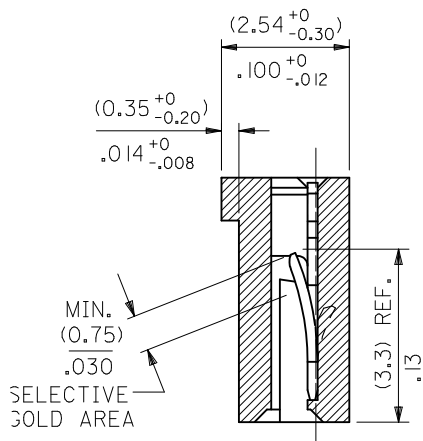
Contact us

Tel: +86-755-8981 8866 Fax: +86-755-8427 6832

Email & Skype: info@chipsmall.com Web: www.chipsmall.com

Address: A1208, Overseas Decoration Building, #122 Zhenhua RD., Futian, Shenzhen, China





- NOTES:
- HOUSING MATERIAL: POLYESTER 30% GLASS FILLED.
 - TERMINAL MATERIAL: PHOSPHOR BRONZE.
 - THIS PART IS STACKABLE, END TO END AND SIDE BY SIDE ON (2.54)/.100 CENTRES.
 - SHUNT WILL ACCEPT (0.64)/.025 SQUARE AND ROUND PINS.
 - MAX. PROBE DIA. (0.9)/.035.
 - PARTS SUPPLIED IN STRIPS OF TEN OR AS LOOSE PIECE (SEE CHART).
 - VERSIONS 90059-0007,90059-0009 PREFERRED IN EUROPE/AMERICA.
 - VERSIONS 90059-0013,90059-0014,90059-0015 PREFERRED IN FAR EAST.
 - DIMENSION APPLIES TO MOULDED HOUSING ONLY. BREAK-OFF (5.10)/.201 MAX.

SUPPLIED AS STRIP/LOOSE	PART No	TERMINAL PLATING	HSG. COLOUR	PACKAGING INNER QTY.	PACKAGING QTY.PER BOX
⑦ STRIP	90059-0007	TIN (5u)/.0002 MIN. OVER NI (1.27u)/.00005 MIN.	BLACK	1000 pcs	20 000 pcs
STRIP	90059-0009	GOLD (0.38u)/.000015 MIN IN CONTACT AREA OVER NICKEL (1.27u)/.00005 IN CONTACT AREA WITH NICKEL (0.2u)/.000008 OVERALL MIN.	WHITE	1000 pcs	5000 pcs
STRIP	90059-0011	GOLD (0.38u)/.000015 MIN IN CONTACT AREA OVER NICKEL (1.27u)/.00005 IN CONTACT AREA WITH NICKEL (0.2u)/.000008 OVERALL MIN.	BLACK	1000 pcs	20 000 pcs
⑧ STRIP	90059-0012	GOLD (0.76u)/.000030 MIN IN CONTACT AREA OVER NICKEL (1.27u)/.00005 IN CONTACT AREA WITH NICKEL (0.2u)/.000008 OVERALL MIN.	WHITE	1000 pcs	20 000 pcs
⑧ STRIP	90059-0013	0.76um OF NI UNDER 3 - 5 um OF TIN	BLACK	1000 pcs	20 000 pcs

UPDATE DRAWINGS PER GCNS EC NO: S2012-0606 DRW: NAI SEE 2012/02/09 CHK: DSKANG 2012/04/09 APPR: MLONG 2012/05/15	QUALITY SYMBOLS $F_A=0$ $F_C=0$ $F_P=0$	GENERAL TOLERANCES (UNLESS SPECIFIED)		DIMENSION STYLE IN/MM		SCALE NTS	DESIGN UNITS METRIC	THIRD ANGLE PROJECTION			
		4 PLACES ± --- ± --- 3 PLACES ± --- ± --- 2 PLACES ± --- ± --- 1 PLACE ± --- ± ---	mm INCH ± --- ± --- ± --- ± --- ± --- ± --- ± --- ± ---	DRAWN BY MCC	DATE 86/04/08	TITLE 2.54MM C-GRID MICRO SHNT					
		ANGULAR ± ---°		CHECKED BY DBRENNON	DATE 00/07/26	MOLEX INCORPORATED					
		DRAFT WHERE APPLICABLE MUST REMAIN WITHIN DIMENSIONS		APPROVED BY MWILHITE	DATE 00/07/26	MATERIAL NO. SEE TABLE	DOCUMENT NO. SDA-90059	SHEET NO. 1 OF 1			