



Chipsmall Limited consists of a professional team with an average of over 10 year of expertise in the distribution of electronic components. Based in Hongkong, we have already established firm and mutual-benefit business relationships with customers from,Europe,America and south Asia,supplying obsolete and hard-to-find components to meet their specific needs.

With the principle of “Quality Parts,Customers Priority,Honest Operation,and Considerate Service”,our business mainly focus on the distribution of electronic components. Line cards we deal with include Microchip,ALPS,ROHM,Xilinx,Pulse,ON,Everlight and Freescale. Main products comprise IC,Modules,Potentiometer,IC Socket,Relay,Connector.Our parts cover such applications as commercial,industrial, and automotives areas.

We are looking forward to setting up business relationship with you and hope to provide you with the best service and solution. Let us make a better world for our industry!



Contact us

Tel: +86-755-8981 8866 Fax: +86-755-8427 6832

Email & Skype: info@chipsmall.com Web: www.chipsmall.com

Address: A1208, Overseas Decoration Building, #122 Zhenhua RD., Futian, Shenzhen, China



High Frequency Ceramic Solutions

862 - 928MHz Integrated Impedance-matched Balun Filter for Analog Devices, Inc. ADF7023, ADF7023-J, and ADF7024

P/N: 0900PC15F0030

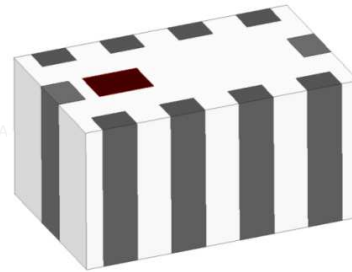
Detail Specification: 1/4/2018

Page 1 of 6

Do you need a small sub-GHz antenna? Go to: www.johansontechnology.com/antennas

General Specifications

Part Number	0900PC15F0030
Frequency (MHz)	862 - 928
Unbalanced Impedance (Ω)	50
Balanced Impedance (Ω)	Impedance matched to Analog Devices, Inc. ADF7023, ADF7023-J, ADF7024
Insertion Loss (dB)	1.8 typ (2.3 max.)
Return Loss (dB)	10 min.
Phase Balance (deg)	180 \pm 15
Amplitude Difference (dB)	2.0 max.
Attenuation (dB @MHz)	33 min. @1736 - 1856 40 min. @2604 - 2784 40 min. @3472 - 3712 35 min. @4340 - 4640
Power Capacity (W)	3 max. CW
Operating Temperature	-40°C to +85°C
Quantity/Reel	4,000



Analog Devices, Inc. Approved!

Storage Temperature Range	-40°C to +85°C
Storage Period	18 months max
Recommended Storage Conditions for unused T&R product	+5 ~ +35 °C, Humidity 45~75%RH, 18 mos. max

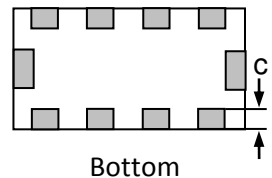
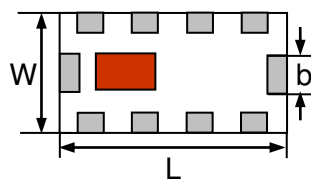
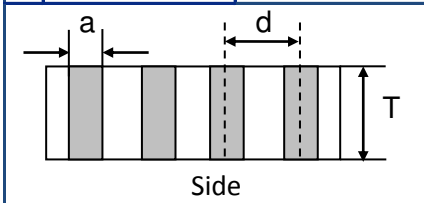
For more Analog Devices, Inc. matched balun-filters, go to: www.johansontechnology.com/analog

Part Number Explanation

P/N Suffix	Packing Style	Bulk	Suffix = S	eg. 0900PC15F0030S
		T & R	Suffix = E	eg. 0900PC15F0030E
		100% Tin	Suffix = None	eg. 0900PC15F0030(E or S)

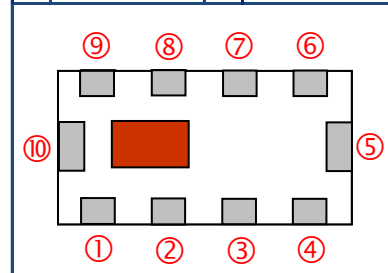
Mechanical Dimensions

	In	mm
L	0.079 \pm 0.008	2.00 \pm 0.2
W	0.049 \pm 0.008	1.25 \pm 0.2
T	0.039 max.	1.00 max.
a	0.010 \pm 0.004	0.25 \pm 0.1
b	0.012 \pm 0.006	0.30 \pm 0.2
c	0.008+0.004/-0.006	0.20 +0.1/-0.15
d	0.020 \pm 0.004	0.50 \pm 0.1



Terminal Configuration

No.	Function	No.	Function
1	GND	6	TX
2	GND	7	RX_N
3	ANT	8	RX_P
4	GND	9	DC Feed or GND
5	GND	10	GND



Johanson Technology, Inc. reserves the right to make design changes without notice.

All sales are subject to Johanson Technology, Inc. terms and conditions.



www.johansontechnology.com

4001 Calle Tecate • Camarillo, CA 93012 • TEL 805.389.1166 FAX 805.389.1821

Ver. 1.0

2017 Johanson Technology, Inc. All Rights Reserved

High Frequency Ceramic Solutions

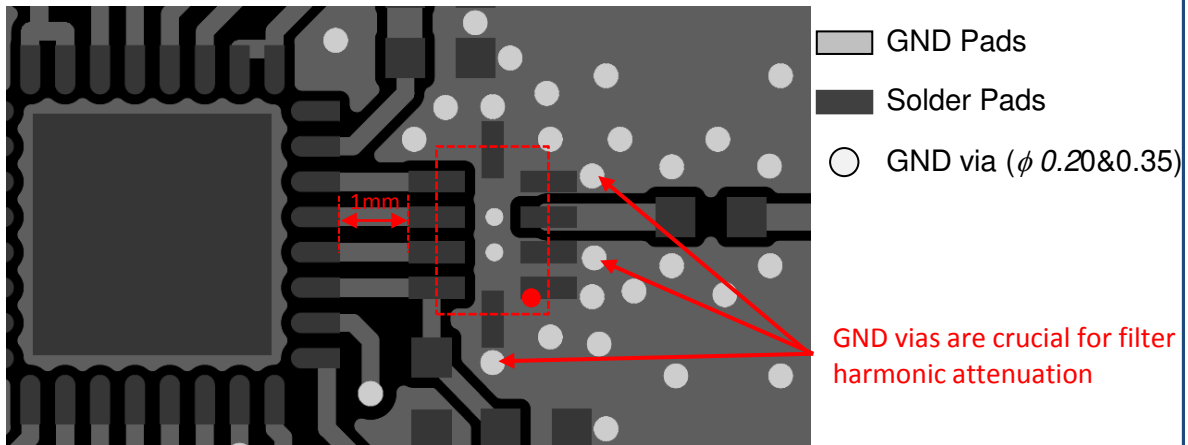
862 - 928MHz Integrated Impedance-matched Balun Filter for Analog
Devices, Inc. ADF7023, ADF7023-J, and ADF7024

P/N: 0900PC15F0030

Detail Specification: 1/4/2018

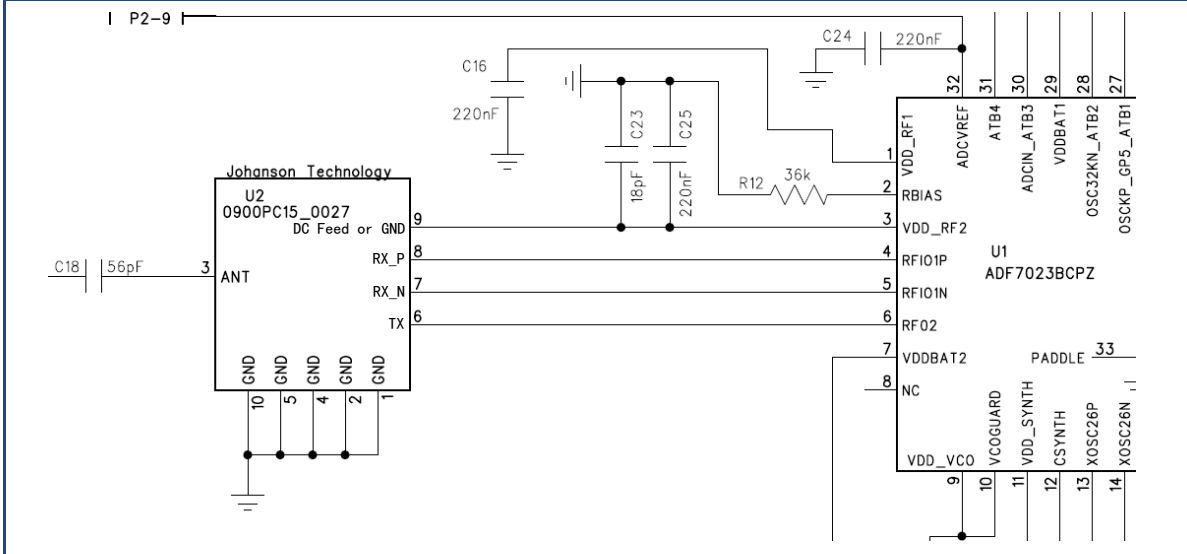
Page 2 of 6

Pad-Soldermask Guidelines (with DC Feed)



For reference design package and PCB CAD files, please contact us at:
www.johansontechnology.com/ask-a-question

PCB Reference Design Schematic



Johanson Technology, Inc. reserves the right to make design changes without notice.
All sales are subject to Johanson Technology, Inc. terms and conditions.



www.johansontechnology.com
4001 Calle Tecate • Camarillo, CA 93012 • TEL 805.389.1166 FAX 805.389.1821
Ver. 1.0 2017 Johanson Technology, Inc. All Rights Reserved

High Frequency Ceramic Solutions

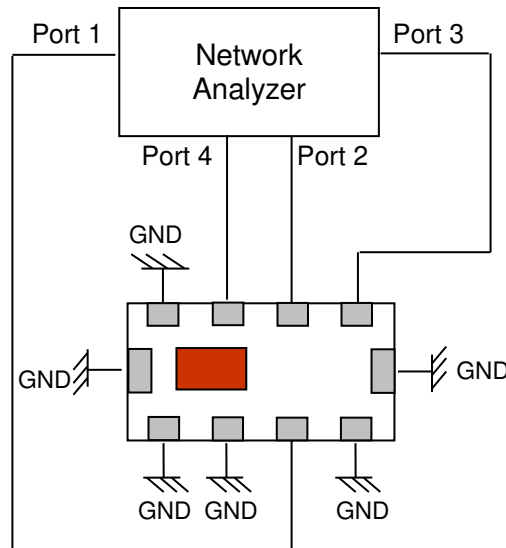
862 - 928MHz Integrated Impedance-matched Balun Filter for Analog Devices, Inc. ADF7023, ADF7023-J, and ADF7024

P/N: 0900PC15F0030

Detail Specification: 1/4/2018

Page 3 of 6

Measuring Diagram



Tx mode:

Port 1 Load Impedance : 50Ω

Port 3 Load impedance: Complex conjugate to $Z_{IC,TX\ on}$ of ADF7023, ADF7023-J, ADF7024

Port 2 and 4 Load impedance: $Z_{IC,RX\ off}$ of ADF7023, ADF7023-J, ADF7024

$$IL = S_{31}$$

$$RL = S_{11} / S_{33}$$

Rx mode:

Port 1 Load impedance: 50Ω

Port 2 and 4 Load impedance: Complex conjugate to $Z_{IC,RX\ on}$ of ADI ADF7023, ADF7023-J ADF7024

Port 3 Load impedance: $Z_{IC,TX\ off}$ of ADI ADF7023, ADF7023-J, ADF7024

$$IL = S_{DS21}$$

$$RL = S_{SS11} / S_{DD22}$$

$$\text{Amp_balance} = \text{dB}(S(1,2)/S(1,4))$$

$$\text{Phase_balance} = \text{Phase}(S(1,2)/S(1,4))$$

Johanson Technology, Inc. reserves the right to make design changes without notice.

All sales are subject to Johanson Technology, Inc. terms and conditions.



www.johansontechnology.com

4001 Calle Tecate • Camarillo, CA 93012 • TEL 805.389.1166 FAX 805.389.1821

Ver. 1.0

2017 Johanson Technology, Inc. All Rights Reserved

High Frequency Ceramic Solutions

862 - 928MHz Integrated Impedance-matched Balun Filter for Analog
Devices, Inc. ADF7023, ADF7023-J, and ADF7024

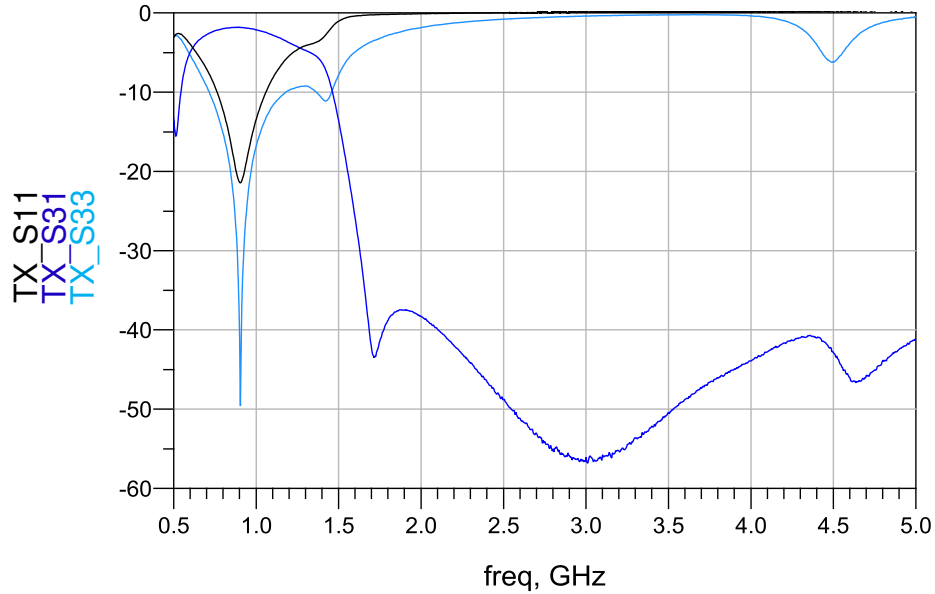
P/N: 0900PC15F0030

Detail Specification: 1/4/2018

Page 4 of 6

Typical Electrical Characteristics (T=25°C)

Transmit Mode Insertion Loss, Return Loss, and Attenuation



If you would like the measured s-parameters, contact us at:

www.johansontechnology.com/ask-a-question

Johanson Technology, Inc. reserves the right to make design changes without notice.

All sales are subject to Johanson Technology, Inc. terms and conditions.



www.johansontechnology.com

4001 Calle Tecate • Camarillo, CA 93012 • TEL 805.389.1166 FAX 805.389.1821

Ver. 1.0

2017 Johanson Technology, Inc. All Rights Reserved

High Frequency Ceramic Solutions

862 - 928MHz Integrated Impedance-matched Balun Filter for Analog
Devices, Inc. ADF7023, ADF7023-J, and ADF7024

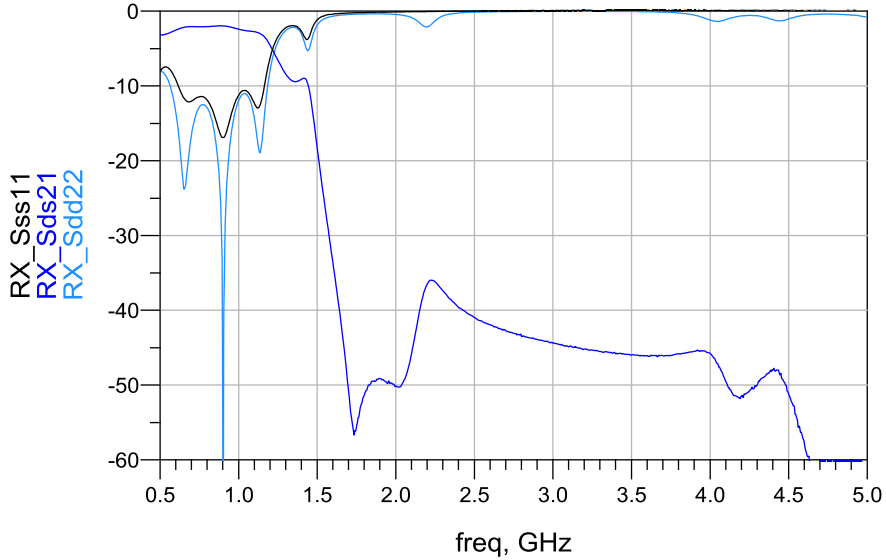
P/N: 0900PC15F0030

Detail Specification: 1/4/2018

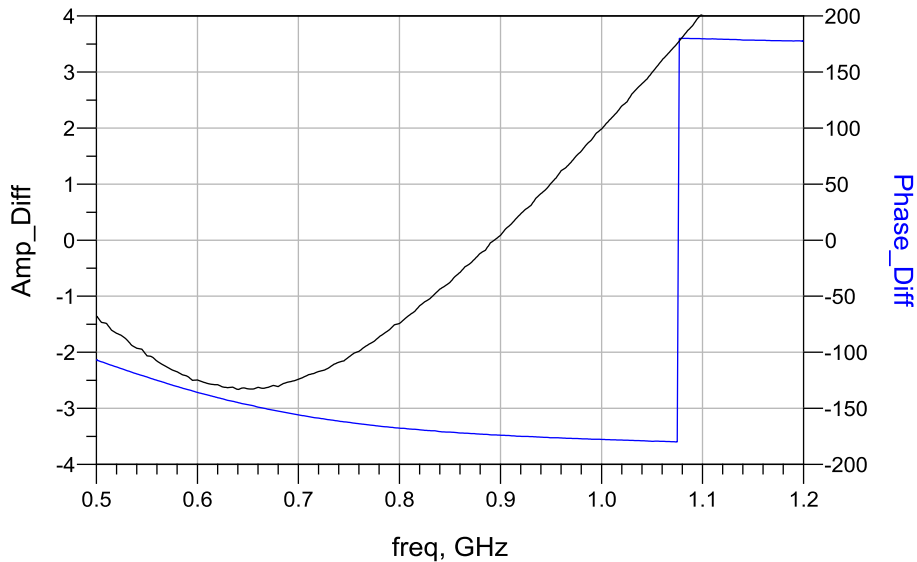
Page 5 of 6

Typical Electrical Characteristics (T=25°C)

Receive Mode Insertion Loss, Return Loss, and Attenuation



Receive Mode Phase Balance, Amplitude Difference



Johanson Technology, Inc. reserves the right to make design changes without notice.
All sales are subject to Johanson Technology, Inc. terms and conditions.



www.johansontechnology.com

4001 Calle Tecate • Camarillo, CA 93012 • TEL 805.389.1166 FAX 805.389.1821

Ver. 1.0

2017 Johanson Technology, Inc. All Rights Reserved

High Frequency Ceramic Solutions

862 - 928MHz Integrated Impedance-matched Balun Filter for Analog
Devices, Inc. ADF7023, ADF7023-J, and ADF7024

P/N: 0900PC15F0030

Detail Specification: 1/4/2018

Page 6 of 6

Application Notes, Layout Files, and more

www.johansontechnology.com/analog

Small SMD 900MHz (or 2.4G, 5G) antennas at:

www.johansontechnology.com/antennas

RoHS Compliance

www.johansontechnology.com/rohs-compliance

Soldering Information

www.johansontechnology.com/ipcsoldering-profile

Antenna layout and tuning techniques

www.johansontechnology.com/tuning

Antenna layout review, tuning, and characterization services

www.johansontechnology.com/ipc-antenna-services

MSL Info

www.johansontechnology.com/msl-rating

Recommended Storage Condition and Max Shelf Life

www.johansontechnology.com/recommended-storage-conditions

Packaging information

www.johansontechnology.com/tape-reel-packaging

Would you like us to review your layout for free? Need an embedded antenna recommendation for your application?

Contact us at:

www.johansontechnology.com/ask-a-question

Johanson Technology, Inc. reserves the right to make design changes without notice.

All sales are subject to Johanson Technology, Inc. terms and conditions.



www.johansontechnology.com
4001 Calle Tecate • Camarillo, CA 93012 • TEL 805.389.1166 FAX 805.389.1821

Ver. 1.0

2017 Johanson Technology, Inc. All Rights Reserved