



Chipsmall Limited consists of a professional team with an average of over 10 year of expertise in the distribution of electronic components. Based in Hongkong, we have already established firm and mutual-benefit business relationships with customers from,Europe,America and south Asia,supplying obsolete and hard-to-find components to meet their specific needs.

With the principle of “Quality Parts,Customers Priority,Honest Operation,and Considerate Service”,our business mainly focus on the distribution of electronic components. Line cards we deal with include Microchip,ALPS,ROHM,Xilinx,Pulse,ON,Everlight and Freescale. Main products comprise IC,Modules,Potentiometer,IC Socket,Relay,Connector.Our parts cover such applications as commercial,industrial, and automotives areas.

We are looking forward to setting up business relationship with you and hope to provide you with the best service and solution. Let us make a better world for our industry!



## Contact us

Tel: +86-755-8981 8866 Fax: +86-755-8427 6832

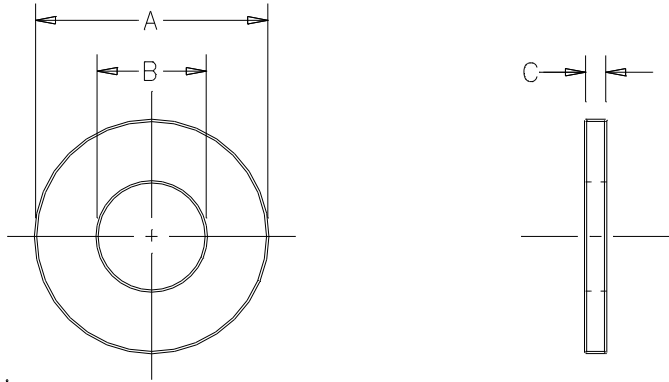
Email & Skype: info@chipsmall.com Web: www.chipsmall.com

Address: A1208, Overseas Decoration Building, #122 Zhenhua RD., Futian, Shenzhen, China



PART NO.	"A" O.D.	"B" O.D.	"C" THICK.	MATERIAL	FINISH
901-001	5/16	.147	.027	BRASS	NICKEL .00015 MIN.
901-002	.640±.010	.495±.010	.022/.045	RUBBER	BLACK

OBS.



NOTES:

1. OIL RESISTANT SYNTHETIC RUBBER, 75-85 DUROMETER HARDNESS.
2. FLAT SURFACES TO BE SMOOTH & FREE OF DEPRESSIONS OR OTHER FLAWS.
3. ALL SHIPMENTS REQUIRE A CERTIFICATE OF COMPLIANCE.

NO	COMPONENT NO	DESCRIPTION	QTY/M	U/M
----	--------------	-------------	-------	-----

BILL OF MATERIAL

UNLESS OTHERWISE SPECIFIED, DIMENSIONS DO NOT INCLUDE PLATING.

O	DENOTES CRITICAL CHARACTERISTICS.
CPK	DENOTES CPK DIMENSIONS, -MINIMUM CPK VALUE
ST	DENOTES A CHARACTERISTIC THAT PROVIDES AN INDICATION OF PROCESS PERFORMANCE. PROCEDURE FOR MEASUREMENT AND TRACKING TO BE DEFINED IN LITTELFUSE INSPECTION INSTRUCTIONS.
CP	DENOTES CP DIMENSIONS, -MINIMUM CP VALUE MUST BE WITHIN THE DIMENSIONAL LIMITATIONS SHOWN ON DRAWING AND INITIALLY LOCATED TO ALLOW FOR MAXIMUM TOOL LIFE.

LTR	REVISION	CHK	APD
Z	38507C-REVISE & REDRAWN IN NEW FORMAT 7/11/97 KAM		
AA	81672C-OBS. 901-001 11/1/01 PJM		

COPIES TO	MATL SPEC	FINISH
1 9 18	DRW KAM	DATE 6/27/97 SCALE 4:1
2 10 19	CHK	DATE SUPER DRW
3 12 20	APPD	DATE RAW STK WT
4 13 21	TOLERANCE UNLESS OTHERWISE SPECIFIED	
5 14 23	TWO PLACE DEC ±.01 FRACTION	
6 15 33	THREE PLACE DEC ±.005 ANGULAR	
7 16 43		
8 17 53		

TITLE WASHERS

UNCONTROLLED DOCUMENT

**Littelfuse**  
DES PLAINES, ILLINOIS 60016

REVISION **A** DRWG. NO. 901-001 THRU 901-002

CAD GENERATED DRAWING - NO PENCIL CHANGES ALLOWED