



Chipsmall Limited consists of a professional team with an average of over 10 year of expertise in the distribution of electronic components. Based in Hongkong, we have already established firm and mutual-benefit business relationships with customers from,Europe,America and south Asia,supplying obsolete and hard-to-find components to meet their specific needs.

With the principle of “Quality Parts,Customers Priority,Honest Operation,and Considerate Service”,our business mainly focus on the distribution of electronic components. Line cards we deal with include Microchip,ALPS,ROHM,Xilinx,Pulse,ON,Everlight and Freescale. Main products comprise IC,Modules,Potentiometer,IC Socket,Relay,Connector.Our parts cover such applications as commercial,industrial, and automotives areas.

We are looking forward to setting up business relationship with you and hope to provide you with the best service and solution. Let us make a better world for our industry!



Contact us

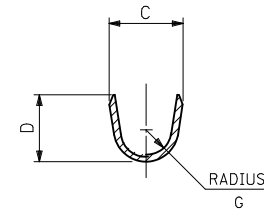
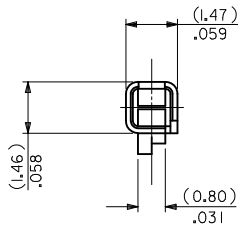
Tel: +86-755-8981 8866 Fax: +86-755-8427 6832

Email & Skype: info@chipsmall.com Web: www.chipsmall.com

Address: A1208, Overseas Decoration Building, #122 Zhenhua RD., Futian, Shenzhen, China

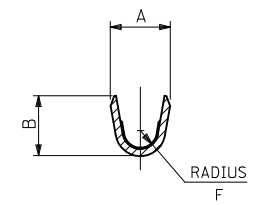


SECTION X-X



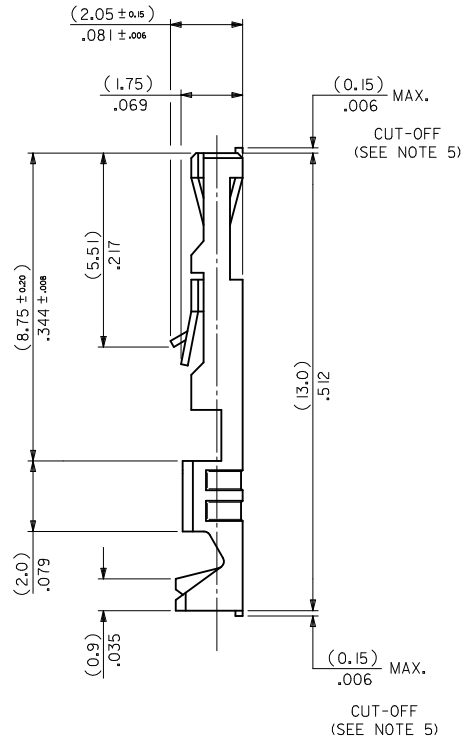
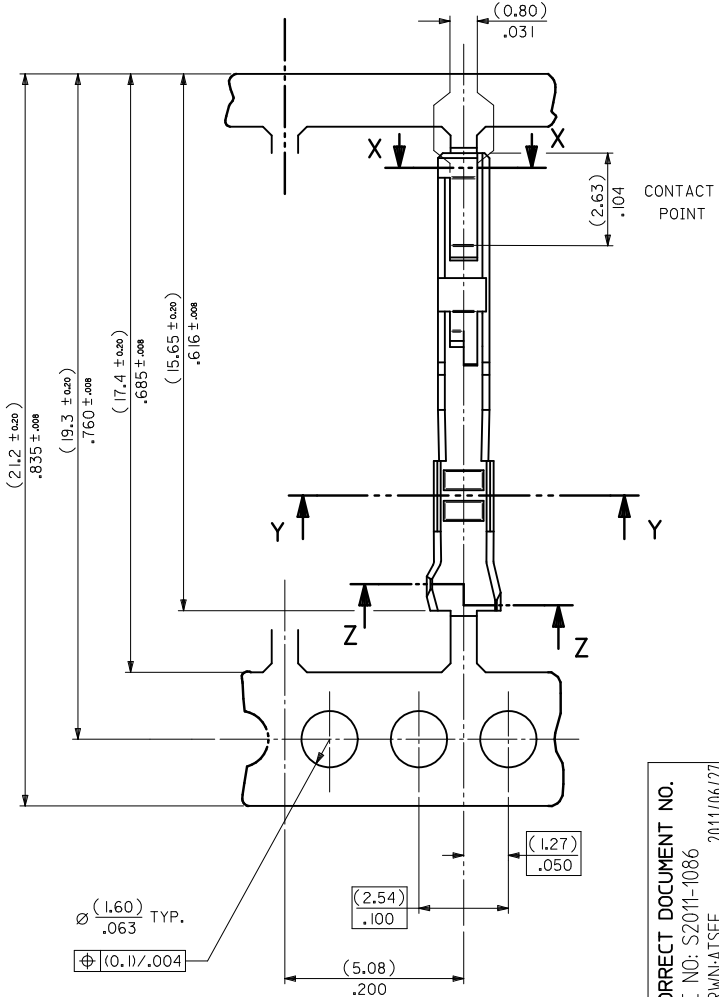
SECTION Z-Z

INSULATION BARREL



SECTION Y-Y

WIRE BARREL



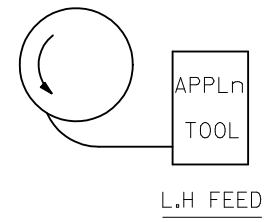
NOTES:

1. MATERIAL - PHOSPHOR BRONZE CDA 521 THICKNESS: (0.200) ± .008 TENSILE STRENGTH- 655-760 N/mm² PLATING - SEE SHEET 2
2. FOR DIMENSIONS A, B, C, D, F & G SEE SHEET 2
3. FOR WIRE SIZE & INSULATION DIA SEE SHEET 2
4. THIS TERMINAL TO MATE WITH (0.635) ± .025 SQUARE PIN
5. MAX BURR AFTER CUT-OFF (0.025) ± .001

CORRECT DOCUMENT NO. EC NO: S2011-1086 L1	DESCRIPTION DRWNATSEE 2011/06/27 CHKD:SKANG 2011/07/04 APPR:MLONG 2011/07/06	QUALITY SYMBOLS	GENERAL TOLERANCES (UNLESS SPECIFIED)	DIMENSION STYLE	SCALE	DESIGN UNITS	THIRD ANGLE PROJECTION																					
		$\nabla_A = 0$ $\nabla_C = 0$ $\nabla_P = 0$	<table border="1"> <tr> <th></th> <th>mm</th> <th>INCH</th> </tr> <tr> <td>4 PLACES</td> <td>± ---</td> <td>± ---</td> </tr> <tr> <td>3 PLACES</td> <td>± ---</td> <td>± .004</td> </tr> <tr> <td>2 PLACES</td> <td>± 0.1</td> <td>± .008</td> </tr> <tr> <td>1 PLACE</td> <td>± 0.2</td> <td>± ---</td> </tr> </table>		mm	INCH	4 PLACES	± ---	± ---	3 PLACES	± ---	± .004	2 PLACES	± 0.1	± .008	1 PLACE	± 0.2	± ---	MM ONLY	NTS	METRIC							
	mm	INCH																										
4 PLACES	± ---	± ---																										
3 PLACES	± ---	± .004																										
2 PLACES	± 0.1	± .008																										
1 PLACE	± 0.2	± ---																										
		DRAFT WHERE APPLICABLE MUST REMAIN WITHIN DIMENSIONS	<table border="1"> <tr> <td>DRAWN BY</td> <td>DATE</td> <td rowspan="2">TITLE</td> </tr> <tr> <td>NPC</td> <td>1987/08/27</td> </tr> <tr> <td>CHECKED BY</td> <td>DATE</td> <td rowspan="2">C-GRID III FEMALE CRIMP TERMINAL</td> </tr> <tr> <td>D.MORIARTY</td> <td>2005/08/26</td> </tr> <tr> <td>APPROVED BY</td> <td>DATE</td> <td rowspan="2">MOLEX INCORPORATED</td> </tr> <tr> <td>MLONG</td> <td>2011/07/04</td> </tr> <tr> <td>MATERIAL NO.</td> <td>SEE TABLE</td> <td>DOCUMENT NO.</td> </tr> <tr> <td>SIZE</td> <td>A3</td> <td>SD-90119</td> </tr> <tr> <td colspan="3">THIS DRAWING CONTAINS INFORMATION THAT IS PROPRIETARY TO MOLEX INCORPORATED AND SHOULD NOT BE USED WITHOUT WRITTEN PERMISSION</td> <td>SHEET NO. 1 OF 2</td> </tr> </table>	DRAWN BY	DATE	TITLE	NPC	1987/08/27	CHECKED BY	DATE	C-GRID III FEMALE CRIMP TERMINAL	D.MORIARTY	2005/08/26	APPROVED BY	DATE	MOLEX INCORPORATED	MLONG	2011/07/04	MATERIAL NO.	SEE TABLE	DOCUMENT NO.	SIZE	A3	SD-90119	THIS DRAWING CONTAINS INFORMATION THAT IS PROPRIETARY TO MOLEX INCORPORATED AND SHOULD NOT BE USED WITHOUT WRITTEN PERMISSION			SHEET NO. 1 OF 2
DRAWN BY	DATE	TITLE																										
NPC	1987/08/27																											
CHECKED BY	DATE	C-GRID III FEMALE CRIMP TERMINAL																										
D.MORIARTY	2005/08/26																											
APPROVED BY	DATE	MOLEX INCORPORATED																										
MLONG	2011/07/04																											
MATERIAL NO.	SEE TABLE	DOCUMENT NO.																										
SIZE	A3	SD-90119																										
THIS DRAWING CONTAINS INFORMATION THAT IS PROPRIETARY TO MOLEX INCORPORATED AND SHOULD NOT BE USED WITHOUT WRITTEN PERMISSION			SHEET NO. 1 OF 2																									

PART No	PLATING	REELING	WIRE SIZE (AWG)	INSULATION RANGE	CRIMP DIMENSIONS					
					WIRE BARREL			INSULATION BARREL		
					A ±(0.15) ±.006	B ±(0.15) ±.006	F ±(0.15) ±.006	C ±(0.15) ±.006	D ±(0.15) ±.006	G ±(0.15) ±.006
90119-0109	A	L.H FEED	22,24	(1.02-1.47) .040-.058	(1.70)	(1.70)	(0.51)	(2.10)	(1.90)	(0.70)
-0110	E				.067	.067	0.20	.083	.075	0.27
-0111	F									
-0112	D									
-0120	A		26,28	(0.76-1.22) .030-.048	(1.37)	(1.37)	(0.28)	(2.00)	(1.70)	(0.60)
-0121	E				.054	.054	0.11	.079	.067	0.24
-0122	F									
-0123	D									
-2109	A	LOOSE PIECE PARTS	22,24	(1.02-1.47) .040-.058	(1.70)	(1.70)	(0.51)	(2.10)	(1.90)	(0.70)
-2110	E				.067	.067	0.20	.083	.075	0.27
-2111	F									
-2112	D									
-2120	A		26,28	(0.76-1.22) .030-.048	(1.37)	(1.37)	(0.28)	(2.00)	(1.70)	(0.60)
-2121	E				.054	.054	0.11	.079	.067	0.24
-2122	F									
90119-2123	D									

TYPE	PLATING
A	PRE-PLATED HOT DIP TIN (1.0 to 2.5 um)/.00004 TO .0001
E	(1.27 TO 1.78um)/.00005 TO .00007 NICKEL OVERALL. (0.38 TO 0.64um)/.000015 TO .000025 GOLD ON CONTACT AREA. (3.0 TO 5.0 um)/.00012 TO .0002 TIN ON TERMINATION AREA.
F	(1.27 TO 1.78um)/.00005 TO .00007 NICKEL OVERALL. (0.76 TO 01.0 um)/.00003 TO .00004 GOLD ON CONTACT AREA. (3.0 TO 5.0 um)/.00012 TO .0002 TIN ON TERMINATION AREA.
D	1.25µm MIN NICKEL OVERALL. 0.05µm TO 0.10µm GOLD FLASH ON CONTACT AREA 2.50µm MIN TIN ON CRIMP AREA



CORRECT DOCUMENT NO. EC NO: S2011-1086 DRWN:ATSEE 2011/06/27 CHKD:SKANG 2011/07/04 APPR:MLONG 2011/07/04 REV	QUALITY SYMBOLS	GENERAL TOLERANCES (UNLESS SPECIFIED)	DIMENSION STYLE	SCALE	DESIGN UNITS	THIRD ANGLE PROJECTION	
	F=0 F=0 F=0	4 PLACES ± --- ± --- 3 PLACES ± --- ± .004 2 PLACES ± 0.1 ± .008 1 PLACE ± 0.2 ± --- ANGULAR ± .5 °	mm INCH DRAWN BY NPC DATE 1987/08/27 CHECKED BY D.MORIARTY DATE 2005/08/26 APPROVED BY MLONG DATE 2011/07/04	MM ONLY	NTS	METRIC	TITLE C-GRID III FEMALE CRIMP TERMINAL
	DRAFT WHERE APPLICABLE MUST REMAIN WITHIN DIMENSIONS	SEE TABLE	MATERIAL NO. SD-90119 DOCUMENT NO. 2 OF 2	MOLEX INCORPORATED			
	SIZE A3	THIS DRAWING CONTAINS INFORMATION THAT IS PROPRIETARY TO MOLEX INCORPORATED AND SHOULD NOT BE USED WITHOUT WRITTEN PERMISSION					