



Chipsmall Limited consists of a professional team with an average of over 10 year of expertise in the distribution of electronic components. Based in Hongkong, we have already established firm and mutual-benefit business relationships with customers from,Europe,America and south Asia,supplying obsolete and hard-to-find components to meet their specific needs.

With the principle of “Quality Parts,Customers Priority,Honest Operation,and Considerate Service”,our business mainly focus on the distribution of electronic components. Line cards we deal with include Microchip,ALPS,ROHM,Xilinx,Pulse,ON,Everlight and Freescale. Main products comprise IC,Modules,Potentiometer,IC Socket,Relay,Connector.Our parts cover such applications as commercial,industrial, and automotives areas.

We are looking forward to setting up business relationship with you and hope to provide you with the best service and solution. Let us make a better world for our industry!



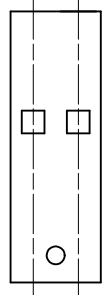
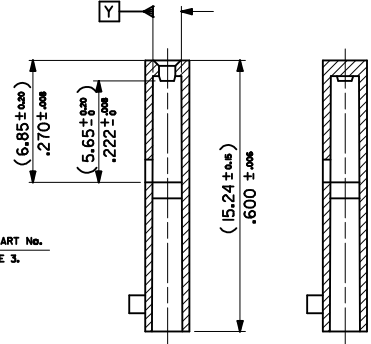
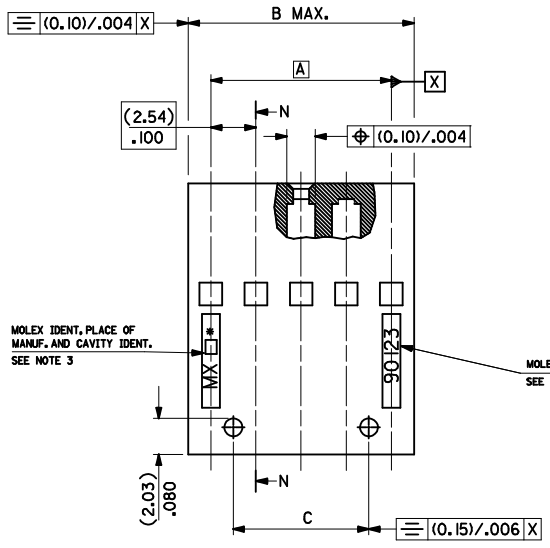
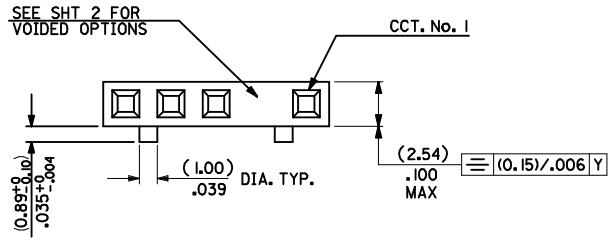
Contact us

Tel: +86-755-8981 8866 Fax: +86-755-8427 6832

Email & Skype: info@chipsmall.com Web: www.chipsmall.com

Address: A1208, Overseas Decoration Building, #122 Zhenhua RD., Futian, Shenzhen, China

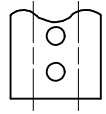




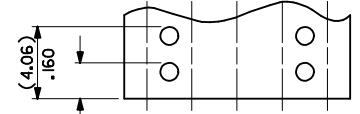
2 CKTS ONLY.

3 TO 32 CKTS.

2 POLARISING BUTTON VERSION



2 CKTS ONLY.



3 TO 32 CKTS.

4 POLARISING BUTTON VERSION

NO. OF CKTS	PART NUMBER		DIM A	DIM B	DIM C
	2 BUTT'S	4 BUTT'S			
2	90123-0102	90123-0202	(2.54)/0.100	(5.08)/0.200	---
3	90123-0103	90123-0203	(5.08)/0.200	(7.62)/0.300	(2.54)/0.100
4	90123-0104	90123-0204	(7.62)/0.300	(10.16)/0.400	(5.08)/0.200
5	90123-0105	90123-0205	(10.16)/0.400	(12.70)/0.500	(7.62)/0.300
6	90123-0106	90123-0206	(12.70)/0.500	(15.24)/0.600	(10.16)/0.400
7	90123-0107	90123-0207	(15.24)/0.600	(17.78)/0.700	(12.70)/0.500
8	90123-0108	90123-0208	(17.78)/0.700	(20.32)/0.800	(15.24)/0.600
9	90123-0109	90123-0209	(20.32)/0.800	(22.86)/0.900	(17.78)/0.700
10	90123-0110	90123-0210	(22.86)/0.900	(25.40)/1.000	(20.32)/0.800
11	90123-0111	90123-0211	(25.40)/1.000	(27.94)/1.100	(22.86)/0.900
12	90123-0112	90123-0212	(27.94)/1.100	(30.48)/1.200	(25.40)/1.000
13	90123-0113	90123-0213	(30.48)/1.200	(33.02)/1.300	(27.94)/1.100
14	90123-0114	90123-0214	(33.02)/1.300	(35.56)/1.400	(30.48)/1.200
15	90123-0115	90123-0215	(35.56)/1.400	(38.10)/1.500	(33.02)/1.300
16	90123-0116	90123-0216	(38.10)/1.500	(40.64)/1.600	(35.56)/1.400
17	90123-0117	90123-0217	(40.64)/1.600	(43.18)/1.700	(38.10)/1.500
18	90123-0118	90123-0218	(43.18)/1.700	(45.72)/1.800	(40.64)/1.600
19	90123-0119	90123-0219	(45.72)/1.800	(48.26)/1.900	(43.18)/1.700
20	90123-0120	90123-0220	(48.26)/1.900	(50.80)/2.000	(45.72)/1.800
21	90123-0121	90123-0221	(50.80)/2.000	(53.34)/2.100	(48.26)/1.900
22	90123-0122	90123-0222	(53.34)/2.100	(55.88)/2.200	(50.80)/2.000
23	90123-0123	90123-0223	(55.88)/2.200	(58.42)/2.300	(53.34)/2.100
24	90123-0124	90123-0224	(58.42)/2.300	(60.96)/2.400	(55.88)/2.200
25	90123-0125	90123-0225	(60.96)/2.400	(63.50)/2.500	(58.42)/2.300
26	90123-0126	90123-0226	(63.50)/2.500	(66.04)/2.600	(60.96)/2.400
27	90123-0127	90123-0227	(66.04)/2.600	(68.58)/2.700	(63.50)/2.500
28	90123-0128	90123-0228	(68.58)/2.700	(71.12)/2.800	(66.04)/2.600
29	90123-0129	90123-0229	(71.12)/2.800	(73.66)/2.900	(68.58)/2.700
30	90123-0130	90123-0230	(73.66)/2.900	(76.20)/3.000	(71.12)/2.800
31	90123-0131	90123-0231	(76.20)/3.000	(78.74)/3.100	(73.66)/2.900
32	90123-0132	90123-0232	(78.74)/3.100	(81.28)/3.200	(76.20)/3.000

- NOTES:**
- MATERIAL: POLYPHENYLENE OXIDE 94 V1 COLOUR BLACK.
 - BUTTONS ARE LOCATED BETWEEN CIRCUITS 1 & 2 AND N-1 & N (WHERE N IS THE NUMBER OF CIRCUITS)
 - PART NO. AND CAVITY I.D. TO BE (1.00)/.040 HIGH AND RAISED (0.07)/.003 IN A (0.15)/.006 DEEP WELL
 - PRODUCT SPECIFICATION: PS-99020-0001

90123 - 0 * * * *
INDICATES No. OF CIRCUITS

INDICATES No. OF BUTTONS.
1 - 2 BUTTONS
2 - 4 BUTTONS

90123 - 9 9 * * *
VOIDED OPTIONS, PER SHT 2.

ADDED NOTE 4 EC NO: S2015-0690 2014/12/19 DRWNG:COH 2014/12/23 CHKD:SCHEONG 2014/12/29 APPR:KILIM	QUALITY SYMBOLS ▽=0 ▽=0	GENERAL TOLERANCES (UNLESS SPECIFIED) <table border="1"> <tr><th colspan="2">mm</th><th>INCH</th></tr> <tr><td>4 PLACES</td><td>±---</td><td>±---</td></tr> <tr><td>3 PLACES</td><td>±---</td><td>±.004</td></tr> <tr><td>2 PLACES</td><td>±0.10</td><td>±---</td></tr> <tr><td>1 PLACE</td><td>±---</td><td>±---</td></tr> </table>	mm		INCH	4 PLACES	±---	±---	3 PLACES	±---	±.004	2 PLACES	±0.10	±---	1 PLACE	±---	±---	DIMENSION STYLE MM/IN	SCALE 5:1	DESIGN UNITS METRIC	THIRD ANGLE PROJECTION
	mm		INCH																		
	4 PLACES	±---	±---																		
	3 PLACES	±---	±.004																		
2 PLACES	±0.10	±---																			
1 PLACE	±---	±---																			
DESCRIPTION V1	DRAWN BY J.DENNEHY	DATE 2006/05/22	TITLE C-GRID III SINGLE ROW MODULAR CRIMP CONNECTOR HOUSING	MOLEX INCORPORATED																	
MATERIAL NO. SD-90123	CHECKED BY J.DENNEHY	DATE 2006/05/22	SHEET NO. 1 OF 2	THIS DRAWING CONTAINS INFORMATION THAT IS PROPRIETARY TO MOLEX INCORPORATED AND SHOULD NOT BE USED WITHOUT WRITTEN PERMISSION																	
DRAFT WHERE APPLICABLE MUST REMAIN WITHIN DIMENSIONS	SIZE A2	INCORPORATED AND SHOULD NOT BE USED WITHOUT WRITTEN PERMISSION																			