



Chipsmall Limited consists of a professional team with an average of over 10 year of expertise in the distribution of electronic components. Based in Hongkong, we have already established firm and mutual-benefit business relationships with customers from,Europe,America and south Asia,supplying obsolete and hard-to-find components to meet their specific needs.

With the principle of “Quality Parts,Customers Priority,Honest Operation,and Considerate Service”,our business mainly focus on the distribution of electronic components. Line cards we deal with include Microchip,ALPS,ROHM,Xilinx,Pulse,ON,Everlight and Freescale. Main products comprise IC,Modules,Potentiometer,IC Socket,Relay,Connector.Our parts cover such applications as commercial,industrial, and automotives areas.

We are looking forward to setting up business relationship with you and hope to provide you with the best service and solution. Let us make a better world for our industry!



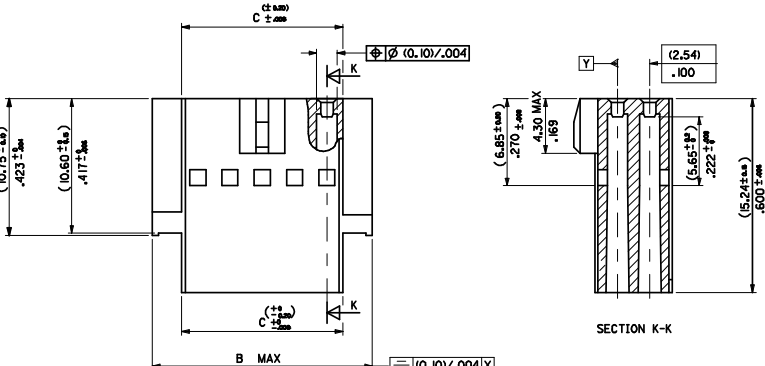
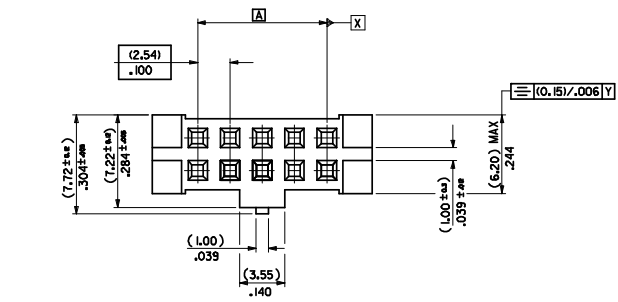
Contact us

Tel: +86-755-8981 8866 Fax: +86-755-8427 6832

Email & Skype: info@chipsmall.com Web: www.chipsmall.com

Address: A1208, Overseas Decoration Building, #122 Zhenhua RD., Futian, Shenzhen, China





No. OF CKTS	PART NUMBER	DIM A	DIM B	DIM C
2				
4				
6				
8	90160-0108	(7.62) / .300	(14.93) / .588	(10.16) / .400
10		(10.16) / .400	(17.47) / .688	(12.70) / .500
12		(12.70) / .500	(20.01) / .788	(15.24) / .600
14		(15.24) / .600	(22.55) / .888	(17.78) / .700
16		(17.78) / .700	(25.09) / .988	(20.32) / .800
18		(20.32) / .800	(27.63) / 1.088	(22.86) / .900
20		(22.86) / .900	(30.17) / 1.188	(25.40) / 1.000
22				
24				
26		(30.48) / 1.200	(37.79) / 1.488	(33.02) / 1.300
28				
30				
32				
34		(40.64) / 1.600	(47.95) / 1.888	(43.18) / 1.700
36				
38				
40		(48.26) / 1.900	(55.57) / 2.188	(50.80) / 2.000
42				
44				
46				
48				
50		(60.96) / 2.400	(68.27) / 2.688	(63.50) / 2.500
52				
54				
56				
58				
60		(73.66) / 2.900	(80.97) / 3.188	(76.20) / 3.000
62				
64	90160-0164	(78.74) / 3.100	(86.05) / 3.388	(81.28) / 3.200
66				
68				

NOTES
 1. MATERIAL:-
 - POLYPHENYLENE OXIDE
 - UL 94 V-1 COLOUR BLACK
 90160 - 0 1 X X
 X INDICATES No OF CIRCUITS
 2. PRODUCT SPECIFICATION: PS-99020-0001

ADDDED NOTE 2 EC NO: E2008-0466 TDRANKI IERMAN 2008/03/12 CHIKD BMAGUIRE 2008/03/18 APPR: BMAGUIRE 2008/03/18	QUALITY SYMBOLS	GENERAL TOLERANCES (UNLESS SPECIFIED)	DIMENSION STYLE	SCALE	DESIGN UNITS	THIRD ANGLE PROJECTION
	▽=0	4 PLACES ± --- ±	MM ONLY	5:1	METRIC	⊙
	▽=0.004	3 PLACES ± --- ±.004	DRAWN BY DATE	TITLE		
	▽=0.10	2 PLACES ± 0.10 ± ---	CHECKED BY DATE	C GRID III DUAL ROW CRIMP CONNECTOR HOUSING		
▽=0	1 PLACE ± --- ± ---	APPROVED BY DATE	MOLEX INCORPORATED			
	ANGULAR ± 2 °	MATERIAL NO.	DOCUMENT NO.		SHEET NO.	
	DRAFT WHERE APPLICABLE MUST REMAIN WITHIN DIMENSIONS	SEE CHART	SD-90160		1 OF 00	
		SIZE	THIS DRAWING CONTAINS INFORMATION THAT IS PROPRIETARY TO MOLEX INCORPORATED AND SHOULD NOT BE USED WITHOUT WRITTEN PERMISSION			

SHT. 1 OF		MRI-SD-90160			
MODIFICATION RECORD INDEX					
ERD	ECO	ISS. DATE	INIT. SHTS. AFFECTED	DESCRIPTION OF MOD.	
599	I	22.6.83	MRS	X - RELEASE	
651		28.7.83	MRS	REVISION	
686	A	6.9.83	MD	TOOL RELEASE	
	877	B 3.4.87	KS	REVISION	
	977	C 21.10.87	KS	DRAWN ON CAD	
	E2012	D 11.02.92	TC	REMOVAL OF WINDOWS	
ECN	ISS. DATE	INIT.	SHTS. AFFECTED	DESCRIPTION OF MOD.	
E30146	E	93.02.22	BGB	I	OMMITTED RETOOL MODS

LEVEL CHART

1	17	33	49
2	18	34	50
3	19	35	51 LEVEL INDEX
4	20 DATASHEET	36	52 RESERVED
5	21	37	53 RESERVED
6	22	38	54 RESERVED
7	23	39	55 DIMENSIONS
8	24	40	56 TABLES/CHARTS
9	25	41	57 REVISION TEXT & MR
10	26	42	58 NOTES/TEXT
11 GEOMETRY	27	43	59
12	28	44	60 RESERVED
13	29	45	61
14	30	46	62
15 XHATCH	31	47	63
16	32	48	