



Chipsmall Limited consists of a professional team with an average of over 10 year of expertise in the distribution of electronic components. Based in Hongkong, we have already established firm and mutual-benefit business relationships with customers from,Europe,America and south Asia,supplying obsolete and hard-to-find components to meet their specific needs.

With the principle of “Quality Parts,Customers Priority,Honest Operation,and Considerate Service”,our business mainly focus on the distribution of electronic components. Line cards we deal with include Microchip,ALPS,ROHM,Xilinx,Pulse,ON,Everlight and Freescale. Main products comprise IC,Modules,Potentiometer,IC Socket,Relay,Connector.Our parts cover such applications as commercial,industrial, and automotives areas.

We are looking forward to setting up business relationship with you and hope to provide you with the best service and solution. Let us make a better world for our industry!



Contact us

Tel: +86-755-8981 8866 Fax: +86-755-8427 6832

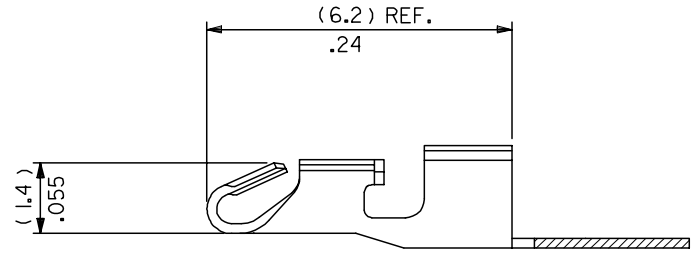
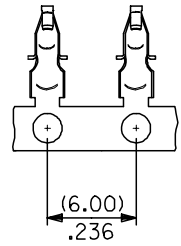
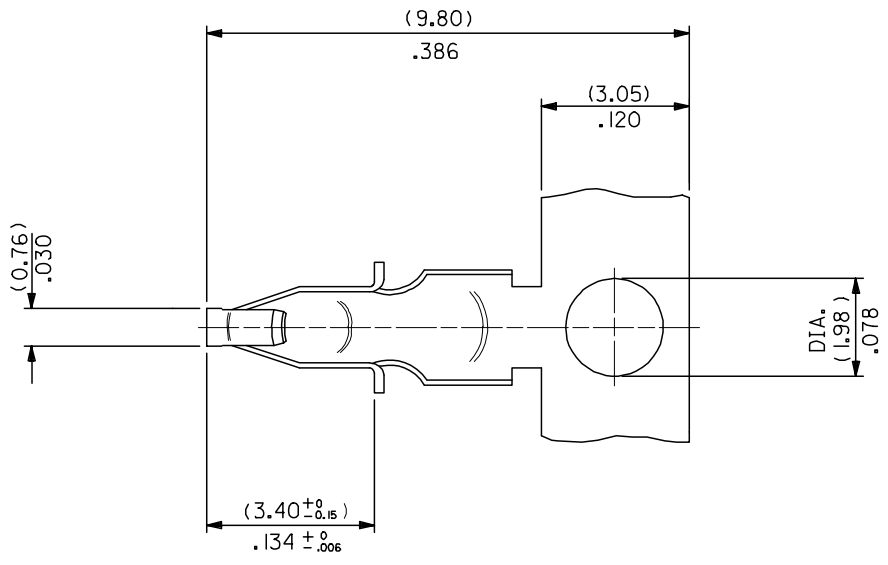
Email & Skype: info@chipsmall.com Web: www.chipsmall.com

Address: A1208, Overseas Decoration Building, #122 Zhenhua RD., Futian, Shenzhen, China



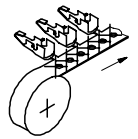
10 9 8 7 6 5 4 3 2 1

F
E
D
C
B
A



- NOTES.
1. MATERIAL: (0.20)/.008 PHOS.BR, PER E.S. 99001-0454.
 2. PLATING: HOT TIN DIP 1.0µm - 2.5 µm
 3. TERMINAL WILL ACCOMODATE
22 AWG SOLID OR FUSED WIRE
24 AND 26 AWG SOLID, STRANDED OR FUSED WIRE
WITH (1.52)/.060 MAX. INSULATION DIA.
 4. P.C.B. MOUNTING HOLE:
22 AWG DIA (1.23/1.30)-.048/.051
24 AND 26 AWG DIA (1.17/1.25)-.046/.049
 5. MAX. PCB THICKNESS (1.57±0.20)/.062±.008

NOTE: INTER LEAF PAPER BETWEEN LAYERS



UNREELING DIRECTION TO CUSTOMER

2	M
1	M

UPDATED NOTE 2 EC NO: E2007-0844 DRWN:DMAHER 2007/04/05 CHKD: 2007/04/12 APPR:EFOLAN 2007/04/13	QUALITY SYMBOLS ▽=0 ▽C=0	GENERAL TOLERANCES (UNLESS SPECIFIED) <table border="1"> <tr> <th></th> <th>mm</th> <th>INCH</th> </tr> <tr> <td>4 PLACES</td> <td>± ---</td> <td>± ---</td> </tr> <tr> <td>3 PLACES</td> <td>± ---</td> <td>± .008</td> </tr> <tr> <td>2 PLACES</td> <td>± 0.20</td> <td>± .015</td> </tr> <tr> <td>1 PLACE</td> <td>± 0.38</td> <td>± ---</td> </tr> </table> ANGULAR ± .5 °		mm	INCH	4 PLACES	± ---	± ---	3 PLACES	± ---	± .008	2 PLACES	± 0.20	± .015	1 PLACE	± 0.38	± ---	DIMENSION STYLE MM/IN	SCALE 10:1	DESIGN UNITS METRIC	THIRD ANGLE PROJECTION
		mm	INCH																		
4 PLACES	± ---	± ---																			
3 PLACES	± ---	± .008																			
2 PLACES	± 0.20	± .015																			
1 PLACE	± 0.38	± ---																			
DRAWN BY MC	DATE 88/10/30	TITLE PCM CRIM TERM BRD-IN STAND ALONE 1TNL	CHECKED BY DATE 88/05/03	APPROVED BY MWILHITE	DATE 96/07/22	MOLEX INCORPORATED															
MATERIAL NO. 901980001	DOCUMENT NO. SD-90198	SHEET NO. 1 OF 2	THIS DRAWING CONTAINS INFORMATION THAT IS PROPRIETARY TO MOLEX INCORPORATED AND SHOULD NOT BE USED WITHOUT WRITTEN PERMISSION																		

9 8 7 6 5 4 3 2 1