



Chipsmall Limited consists of a professional team with an average of over 10 year of expertise in the distribution of electronic components. Based in Hongkong, we have already established firm and mutual-benefit business relationships with customers from,Europe,America and south Asia,supplying obsolete and hard-to-find components to meet their specific needs.

With the principle of "Quality Parts,Customers Priority,Honest Operation,and Considerate Service",our business mainly focus on the distribution of electronic components. Line cards we deal with include Microchip,ALPS,ROHM,Xilinx,Pulse,ON,Everlight and Freescale. Main products comprise IC,Modules,Potentiometer,IC Socket,Relay,Connector.Our parts cover such applications as commercial,industrial, and automotives areas.

We are looking forward to setting up business relationship with you and hope to provide you with the best service and solution. Let us make a better world for our industry!



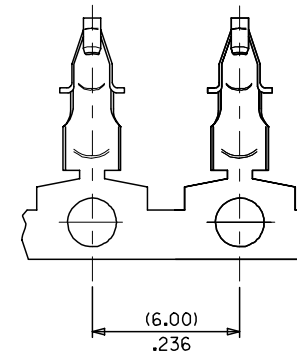
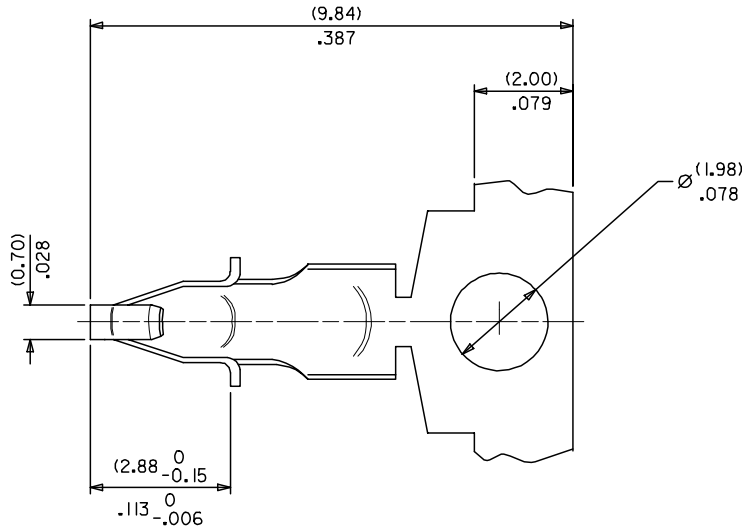
Contact us

Tel: +86-755-8981 8866 Fax: +86-755-8427 6832

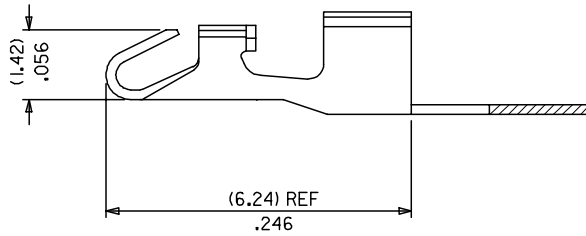
Email & Skype: info@chipsmall.com Web: www.chipsmall.com

Address: A1208, Overseas Decoration Building, #122 Zhenhua RD., Futian, Shenzhen, China





SCALE 5:1



NOTES.

1. MATERIAL: (0.20)/.008 PHOSPHOR BRONZE
2. PLATING: HOT TIN DIP
3. TERMINAL WILL ACCOMMODATE
 - 22 AWG SOLID OR FUSED WIRE
 - 24 AND 26 AWG SOLID, STRANDED OR FUSED WIRE WITH (1.52)/.060 MAX. INSULATION DIA.
4. P.C.B. MOUNTING HOLE:
 - 22 AWG DIA (1.23/1.30)-.048/.051
 - 24 AND 26 AWG DIA (1.17/1.25)-.046/.049
5. MAX. P.C.B. THICKNESS (1.19±0.20)/.047±.008

| UPDATED BORDER EC NO: E2007-0844 DRWN:DMAHER CHKD: APPR:EFOLAN | 2007/04/05 2007/04/12 2007/04/13 | DESCRIPTION REV | QUALITY SYMBOLS | GENERAL TOLERANCES (UNLESS SPECIFIED) | DIMENSION STYLE | SCALE | DESIGN UNITS | THIRD ANGLE PROJECTION | | | | | | | | | | | | | | | |
|--|--|--|----------------------------|---|---|--------------|--------------|---------------------------------------|------------|----------|----------|----------|--------------------|-------------|--------|----------|----------|--------|-------|-------|------|--------|--|
| | | | $\nabla=0$ $\nabla C=0$ | <table border="1"> <thead> <tr> <th></th> <th>mm</th> <th>INCH</th> </tr> </thead> <tbody> <tr> <td>4 PLACES</td> <td>± ---</td> <td>± ---</td> </tr> <tr> <td>3 PLACES</td> <td>± ---</td> <td>± .008</td> </tr> <tr> <td>2 PLACES</td> <td>± 0.20</td> <td>± .015</td> </tr> <tr> <td>1 PLACE</td> <td>± 0.38</td> <td>± ---</td> </tr> </tbody> </table> | | mm | INCH | 4 PLACES | ± --- | ± --- | 3 PLACES | ± --- | ± .008 | 2 PLACES | ± 0.20 | ± .015 | 1 PLACE | ± 0.38 | ± --- | MM/IN | 10:1 | METRIC | |
| | | | | mm | INCH | | | | | | | | | | | | | | | | | | |
| | | | 4 PLACES | ± --- | ± --- | | | | | | | | | | | | | | | | | | |
| 3 PLACES | ± --- | ± .008 | | | | | | | | | | | | | | | | | | | | | |
| 2 PLACES | ± 0.20 | ± .015 | | | | | | | | | | | | | | | | | | | | | |
| 1 PLACE | ± 0.38 | ± --- | | | | | | | | | | | | | | | | | | | | | |
| | DRAFT WHERE APPLICABLE MUST REMAIN WITHIN DIMENSIONS | <table border="1"> <thead> <tr> <th>DRAWN BY</th> <th>DATE</th> <th>TITLE</th> </tr> </thead> <tbody> <tr> <td>CTOB IN</td> <td>98/07/06</td> <td rowspan="2">PCM CRIM TERM BRD-IN STAND ALONE 1TNL</td> </tr> <tr> <td>CHECKED BY</td> <td>DATE</td> </tr> <tr> <td>TMAHON</td> <td>98/07/06</td> <td rowspan="2"> MOLEX INCORPORATED </td> </tr> <tr> <td>APPROVED BY</td> <td>DATE</td> </tr> <tr> <td>MWILHITE</td> <td>98/07/06</td> <td></td> </tr> </tbody> </table> | DRAWN BY | DATE | TITLE | CTOB IN | 98/07/06 | PCM CRIM TERM BRD-IN STAND ALONE 1TNL | CHECKED BY | DATE | TMAHON | 98/07/06 | MOLEX INCORPORATED | APPROVED BY | DATE | MWILHITE | 98/07/06 | | | | | | |
| DRAWN BY | DATE | TITLE | | | | | | | | | | | | | | | | | | | | | |
| CTOB IN | 98/07/06 | PCM CRIM TERM BRD-IN STAND ALONE 1TNL | | | | | | | | | | | | | | | | | | | | | |
| CHECKED BY | DATE | | | | | | | | | | | | | | | | | | | | | | |
| TMAHON | 98/07/06 | MOLEX INCORPORATED | | | | | | | | | | | | | | | | | | | | | |
| APPROVED BY | DATE | | | | | | | | | | | | | | | | | | | | | | |
| MWILHITE | 98/07/06 | | | | | | | | | | | | | | | | | | | | | | |
| M | | | | | <table border="1"> <thead> <tr> <th>MATERIAL NO.</th> <th>DOCUMENT NO.</th> <th>SHEET NO.</th> </tr> </thead> <tbody> <tr> <td>901980002</td> <td>SD-90198</td> <td>2 OF 2</td> </tr> </tbody> </table> | MATERIAL NO. | DOCUMENT NO. | SHEET NO. | 901980002 | SD-90198 | 2 OF 2 | | | | | | | | | | | | |
| MATERIAL NO. | DOCUMENT NO. | SHEET NO. | | | | | | | | | | | | | | | | | | | | | |
| 901980002 | SD-90198 | 2 OF 2 | | | | | | | | | | | | | | | | | | | | | |