



Chipsmall Limited consists of a professional team with an average of over 10 year of expertise in the distribution of electronic components. Based in Hongkong, we have already established firm and mutual-benefit business relationships with customers from,Europe,America and south Asia,supplying obsolete and hard-to-find components to meet their specific needs.

With the principle of “Quality Parts,Customers Priority,Honest Operation,and Considerate Service”,our business mainly focus on the distribution of electronic components. Line cards we deal with include Microchip,ALPS,ROHM,Xilinx,Pulse,ON,Everlight and Freescale. Main products comprise IC,Modules,Potentiometer,IC Socket,Relay,Connector.Our parts cover such applications as commercial,industrial, and automotives areas.

We are looking forward to setting up business relationship with you and hope to provide you with the best service and solution. Let us make a better world for our industry!



Contact us

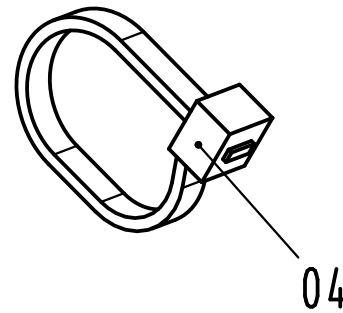
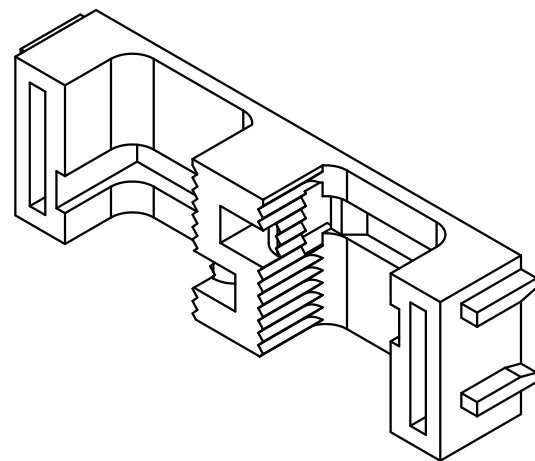
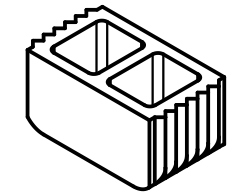
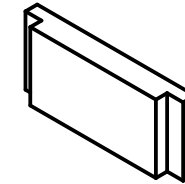
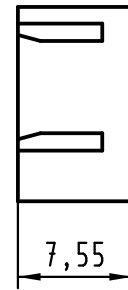
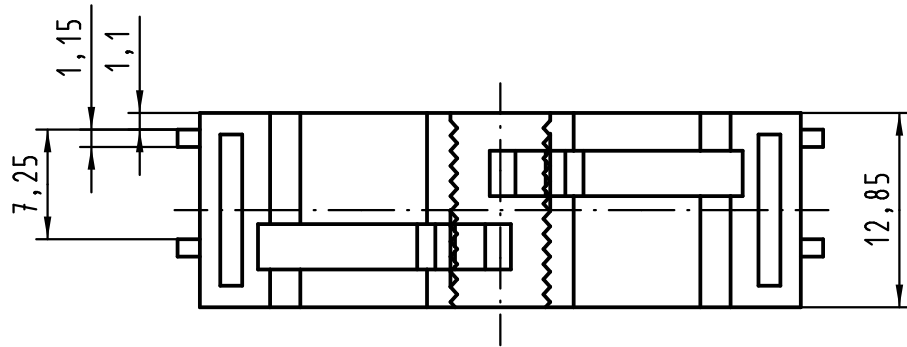
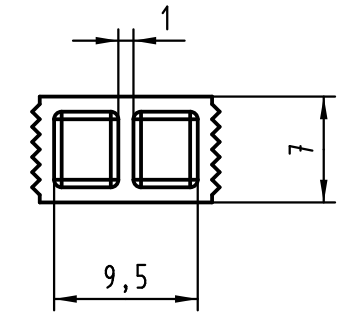
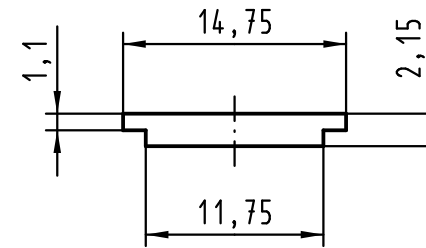
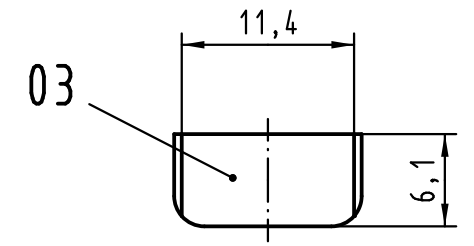
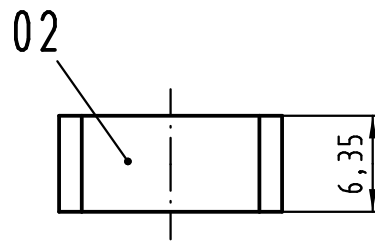
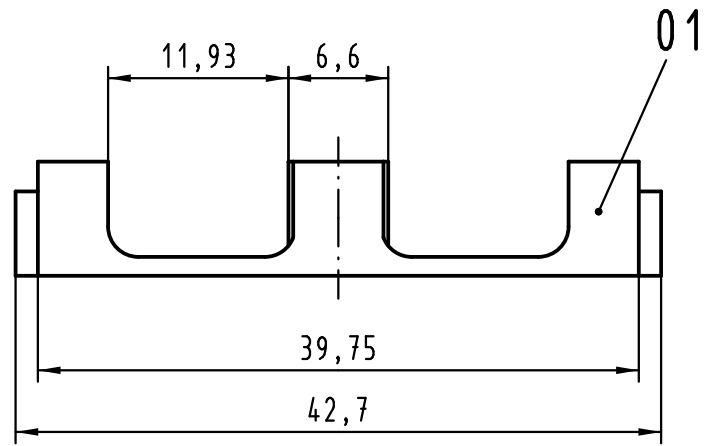
Tel: +86-755-8981 8866 Fax: +86-755-8427 6832

Email & Skype: info@chipsmall.com Web: www.chipsmall.com

Address: A1208, Overseas Decoration Building, #122 Zhenhua RD., Futian, Shenzhen, China



Alle Rechte vorbehalten/ All rights reserved



Inhalt Rundkabeleinsatz
content round cable insert

Pos. pos.	Anzahl number	Benennung description
01	1	Rundkabeleinsatz round cable insert
02	1	Blindstopfen blinding piece
03	1	Blindstopfen blinding piece
04	1	Kabelbinder cable tie

Teile nicht montiert
parts not assembled

All Dimensions in mm Original Size DIN A 3			Techn. Character.			Nicht tolerierte Maße/Free size tolerances	
			Dat.	Name	Maßstab/Scale 2:1	Rundkabeleinsatz 2x $\phi 6,5$ round cable insert 2x $\phi 6,5$	
			Detail.	07.07.08 Hage.			
			Insp.	07.07.08 mte			
			Stand.				
36101	23.02.11	Hage.	HARTING Electronics GmbH & Co. KG			TB 09 02 000 9910	Blatt/page
35218			D-32339 ESPELKAMP				
Mod.	Dat.	Name				Sub.	

