



Chipsmall Limited consists of a professional team with an average of over 10 year of expertise in the distribution of electronic components. Based in Hongkong, we have already established firm and mutual-benefit business relationships with customers from,Europe,America and south Asia,supplying obsolete and hard-to-find components to meet their specific needs.

With the principle of “Quality Parts,Customers Priority,Honest Operation,and Considerate Service”,our business mainly focus on the distribution of electronic components. Line cards we deal with include Microchip,ALPS,ROHM,Xilinx,Pulse,ON,Everlight and Freescale. Main products comprise IC,Modules,Potentiometer,IC Socket,Relay,Connector.Our parts cover such applications as commercial,industrial, and automotives areas.

We are looking forward to setting up business relationship with you and hope to provide you with the best service and solution. Let us make a better world for our industry!



Contact us

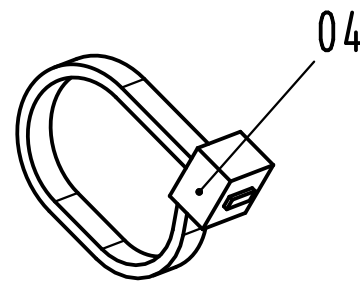
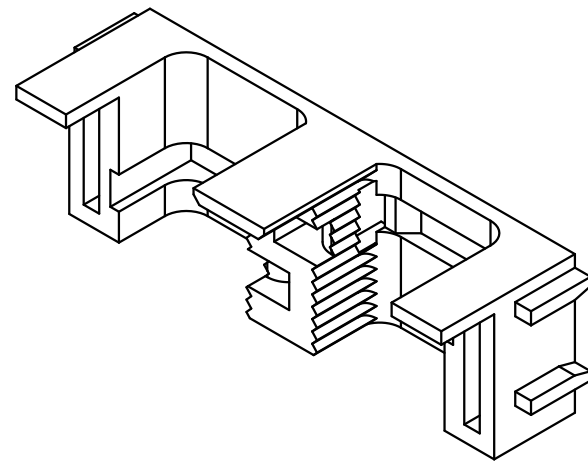
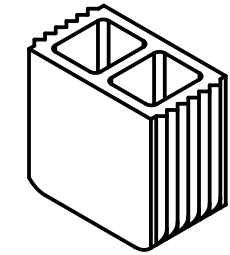
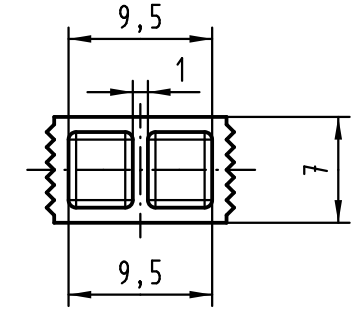
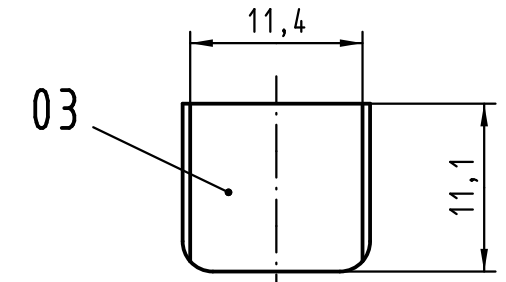
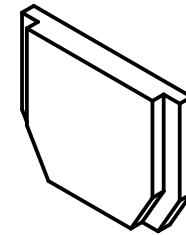
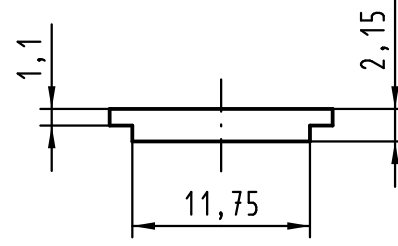
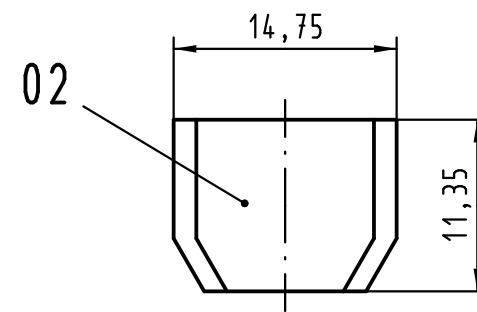
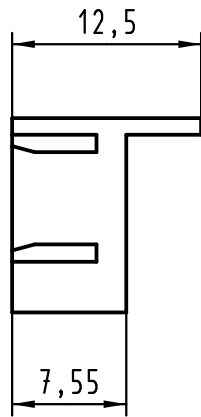
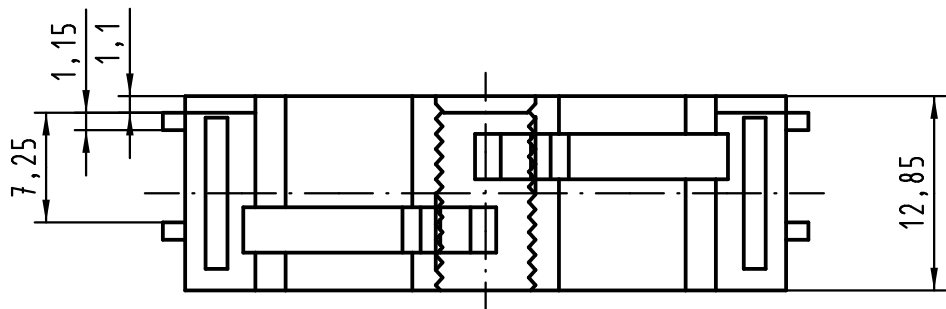
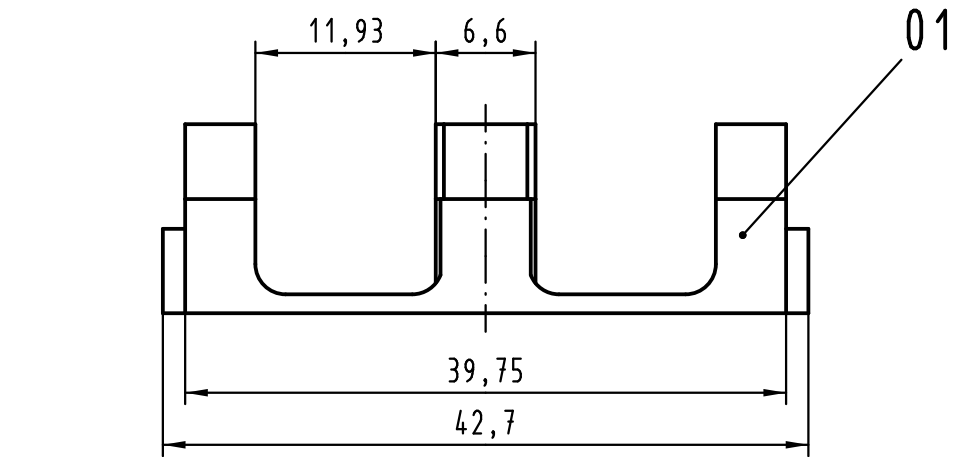
Tel: +86-755-8981 8866 Fax: +86-755-8427 6832

Email & Skype: info@chipsmall.com Web: www.chipsmall.com

Address: A1208, Overseas Decoration Building, #122 Zhenhua RD., Futian, Shenzhen, China



Alle Rechte vorbehalten/ All rights reserved



Inhalt Rundkabeleinsatz content round cable insert			Ersatzteile spare parts	
Pos. pos.	Anzahl number	Benennung description	Artikel Nr. part no.	Anzahl number
01	1	Rundkabeleinsatz round cable insert		
02	1	Blindstopfen blinding piece	09 02 000 9905	1
03	1	Blindstopfen blinding piece		
04	1	Kabelbinder cable tie		

Teile nicht montiert
parts not assembled

All Dimensions in mm Original Size DIN A 3			Techn. Character.			Nicht tolerierte Maß/Free size tolerances			
						Rundkabeleinsatz 2x ϕ11,5 round cable insert 2x ϕ11,5			
			Detail.	02.06.08	Hage.				2:1
			Insp.	02.06.08	LehT				
			Stand.						
36101	23.02.11	Hage.	HARTING Electronics GmbH & Co. KG			TB 09 02 000 9911		Blatt/ page	
35176			D-32339 ESPELKAMP						
Mod.	Dat.	Name				Sub.			

