



Chipsmall Limited consists of a professional team with an average of over 10 year of expertise in the distribution of electronic components. Based in Hongkong, we have already established firm and mutual-benefit business relationships with customers from,Europe,America and south Asia,supplying obsolete and hard-to-find components to meet their specific needs.

With the principle of “Quality Parts,Customers Priority,Honest Operation,and Considerate Service”,our business mainly focus on the distribution of electronic components. Line cards we deal with include Microchip,ALPS,ROHM,Xilinx,Pulse,ON,Everlight and Freescale. Main products comprise IC,Modules,Potentiometer,IC Socket,Relay,Connector.Our parts cover such applications as commercial,industrial, and automotives areas.

We are looking forward to setting up business relationship with you and hope to provide you with the best service and solution. Let us make a better world for our industry!



Contact us

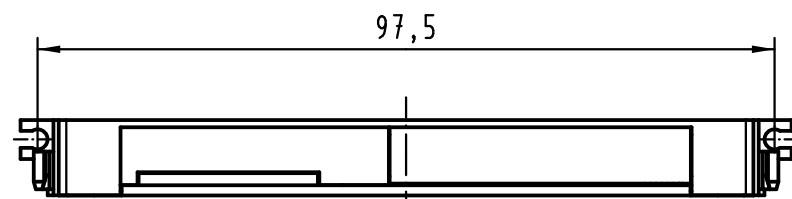
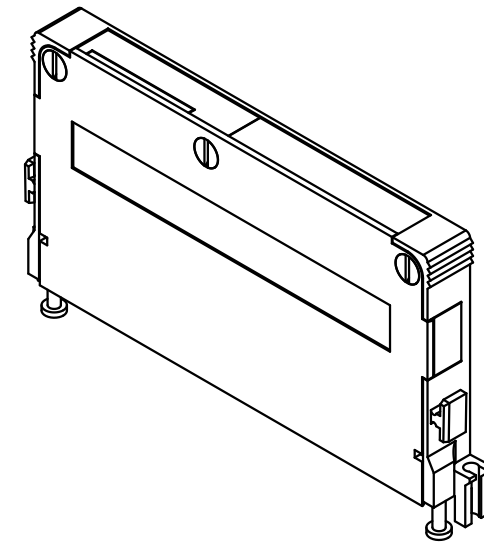
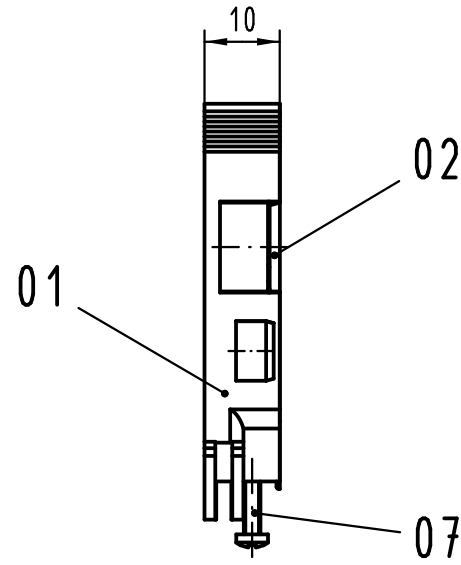
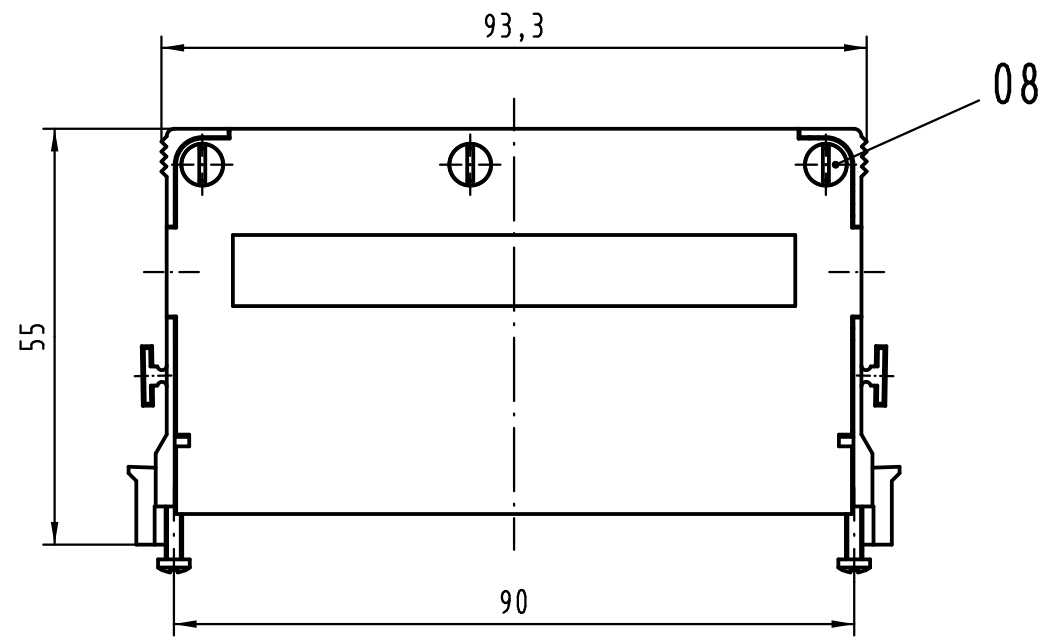
Tel: +86-755-8981 8866 Fax: +86-755-8427 6832

Email & Skype: info@chipsmall.com Web: www.chipsmall.com

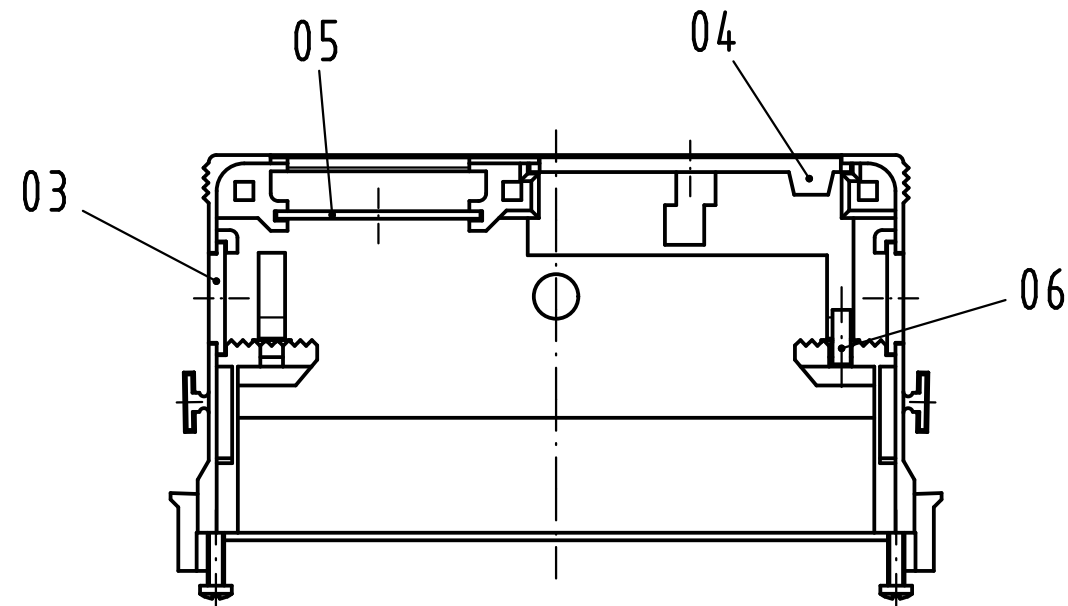
Address: A1208, Overseas Decoration Building, #122 Zhenhua RD., Futian, Shenzhen, China



Alle Rechte vorbehalten/ All rights reserved



X
geöffnet
open



Inhalt Gehäuse-Set content shell housing-set		
Pos. pos.	Anzahl number	Benennung description
01	1	Grundschaale shell
02	1	Deckel cover
03	2	Blindstopfen blinding piece
04	1	Verschlussplatte blinding plate
05	1	Masseblech grounding plate
06	1	Kabelbinder cable tie
07	2	Blechschaube / tapping screw ISO 7049-ST2,2x9,5-F-Z
08	3	Blechschaube / tapping screw ISO 1483-ST2,9x6,5-F

Teile nicht montiert
parts not assembled

All Dimensions in mm Original Size DIN A 3		Techn. Character.			Nicht tolerierte Maß/Free size tolerances	
			Dat.	Name	Maßstab/Scale 1:1	Schalengehäuse C 10mm für Federleisten Typ B shell housing C 10mm for female connectors type B
			Detail.	02.03.07 Hage.		
			Insp.	02.03.07 LeHT		
			Stand.			
36101	18.02.11	Hage.	HARTING Electronics GmbH & Co. KG			TB 09 02 064 0501
34236			D-32339 ESPELKAMP			
Mod.	Dat.	Name				Blatt/ page
			Sub.			