



Chipsmall Limited consists of a professional team with an average of over 10 year of expertise in the distribution of electronic components. Based in Hongkong, we have already established firm and mutual-benefit business relationships with customers from,Europe,America and south Asia,supplying obsolete and hard-to-find components to meet their specific needs.

With the principle of “Quality Parts,Customers Priority,Honest Operation,and Considerate Service”,our business mainly focus on the distribution of electronic components. Line cards we deal with include Microchip,ALPS,ROHM,Xilinx,Pulse,ON,Everlight and Freescale. Main products comprise IC,Modules,Potentiometer,IC Socket,Relay,Connector.Our parts cover such applications as commercial,industrial, and automotives areas.

We are looking forward to setting up business relationship with you and hope to provide you with the best service and solution. Let us make a better world for our industry!



Contact us

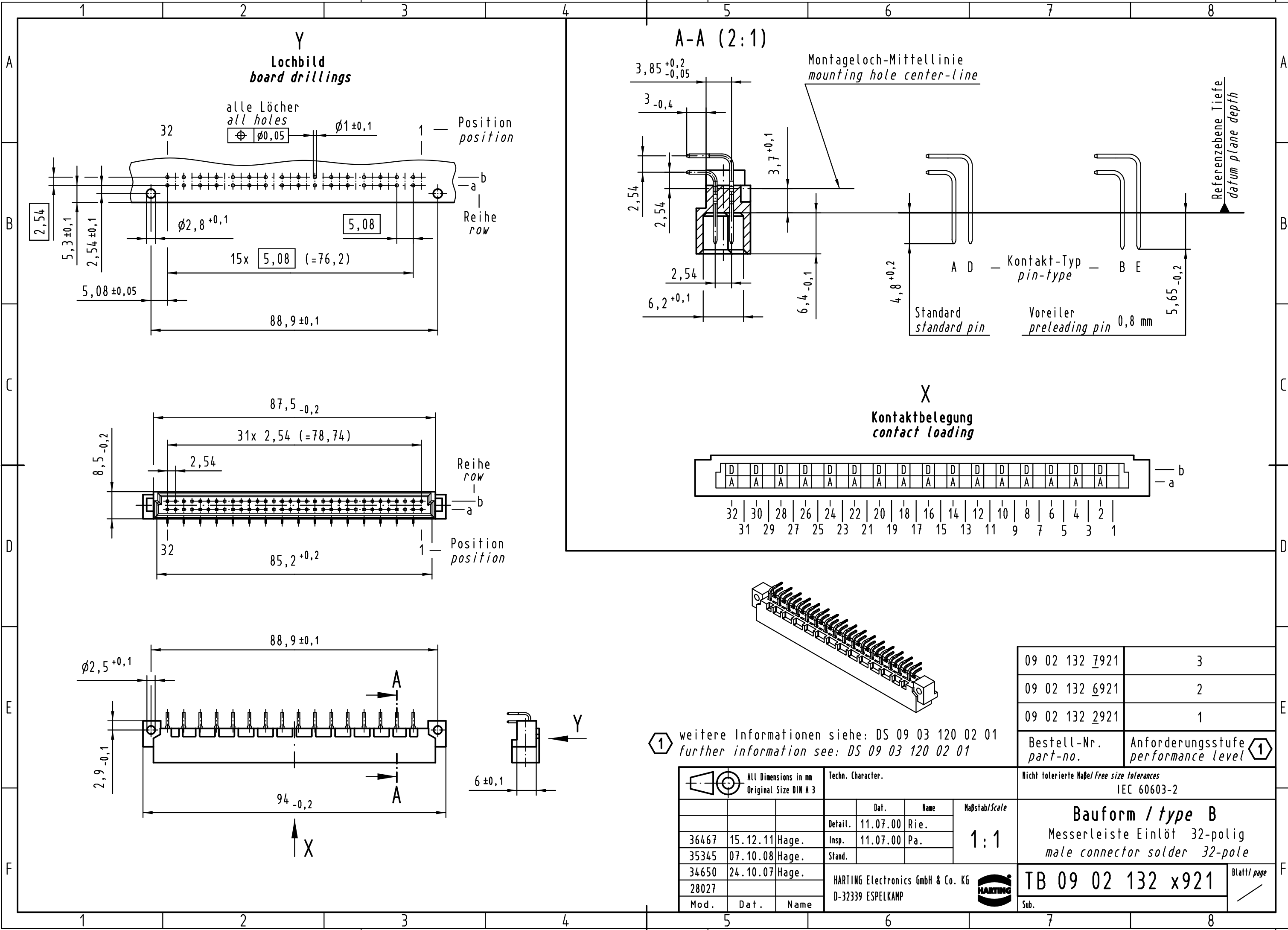
Tel: +86-755-8981 8866 Fax: +86-755-8427 6832

Email & Skype: info@chipsmall.com Web: www.chipsmall.com

Address: A1208, Overseas Decoration Building, #122 Zhenhua RD., Futian, Shenzhen, China



Alle Rechte vorbehalten/ All rights reserved



Y
Lochbild
board drillings

A-A (2:1)

X
Kontaktbelegung
contact loading

alle Löcher
all holes
 $\phi 0,05$

Montageloch-Mittellinie
mounting hole center-line

Referenzebene Tiefe
datum plane depth

Kontakt-Typ
pin-type

Standard
standard pin

Voreiler
preleading pin 0,8 mm

32
 $\phi 2,8^{+0,1}$
15x 5,08 (=76,2)

87,5_{-0,2}
31x 2,54 (=78,74)

$\phi 2,5^{+0,1}$
88,9 $\pm 0,1$

94_{-0,2}

Position
position

Reihe
row

Reihe
row

Position
position

① weitere Informationen siehe: DS 09 03 120 02 01
further information see: DS 09 03 120 02 01

09 02 132 7921	3
09 02 132 6921	2
09 02 132 2921	1
Bestell-Nr. part-no.	Anforderungsstufe performance level ①

All Dimensions in mm Original Size DIN A 3		Techn. Character.			Nicht tolerierte Maße/Free size tolerances IEC 60603-2	
		Dat.	Name	Maßstab/Scale		
		Detail.	11.07.00 Rie.	1:1	Bauform / type B Messerleiste Einlöt 32-polig male connector solder 32-pole	
36467	15.12.11 Hage.	Insp.	11.07.00 Pa.			
35345	07.10.08 Hage.	Stand.				
34650	24.10.07 Hage.	HARTING Electronics GmbH & Co. KG				TB 09 02 132 x921
28027		D-32339 ESPELKAMP				
Mod.	Dat.	Name				Sub.

Blatt/ page