



Chipsmall Limited consists of a professional team with an average of over 10 year of expertise in the distribution of electronic components. Based in Hongkong, we have already established firm and mutual-benefit business relationships with customers from,Europe,America and south Asia,supplying obsolete and hard-to-find components to meet their specific needs.

With the principle of “Quality Parts,Customers Priority,Honest Operation,and Considerate Service”,our business mainly focus on the distribution of electronic components. Line cards we deal with include Microchip,ALPS,ROHM,Xilinx,Pulse,ON,Everlight and Freescale. Main products comprise IC,Modules,Potentiometer,IC Socket,Relay,Connector.Our parts cover such applications as commercial,industrial, and automotives areas.

We are looking forward to setting up business relationship with you and hope to provide you with the best service and solution. Let us make a better world for our industry!



Contact us

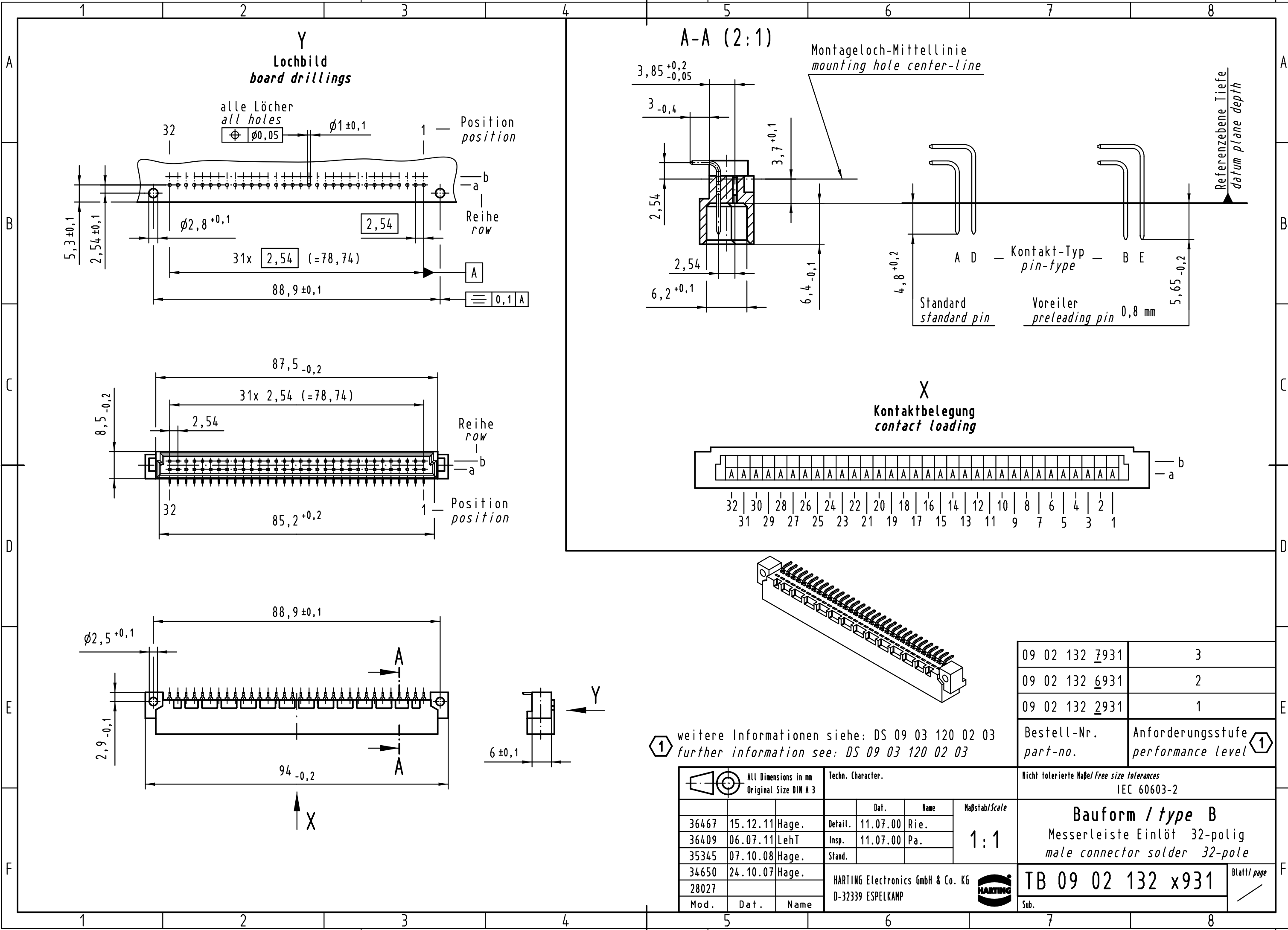
Tel: +86-755-8981 8866 Fax: +86-755-8427 6832

Email & Skype: info@chipsmall.com Web: www.chipsmall.com

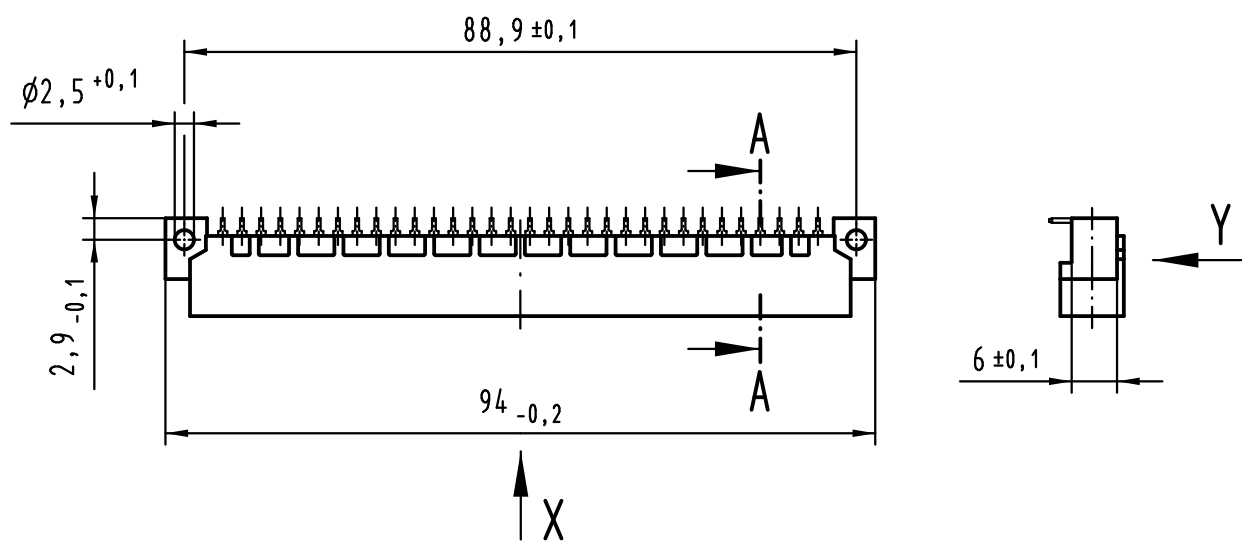
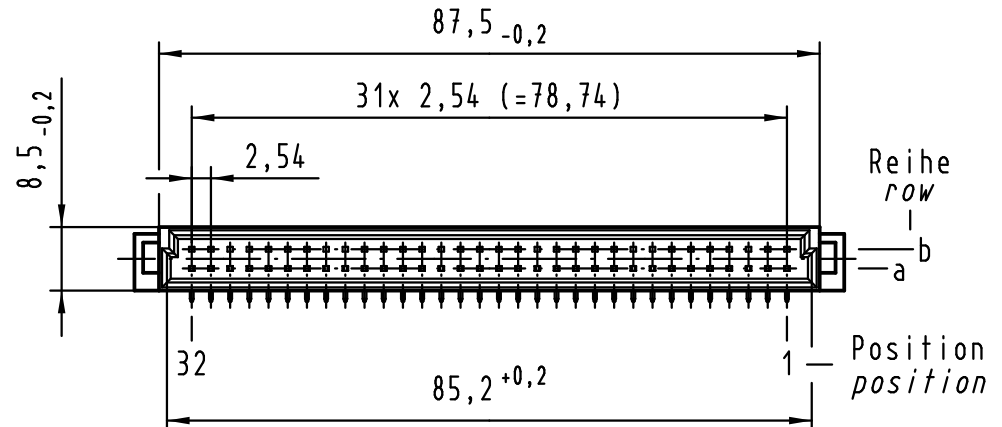
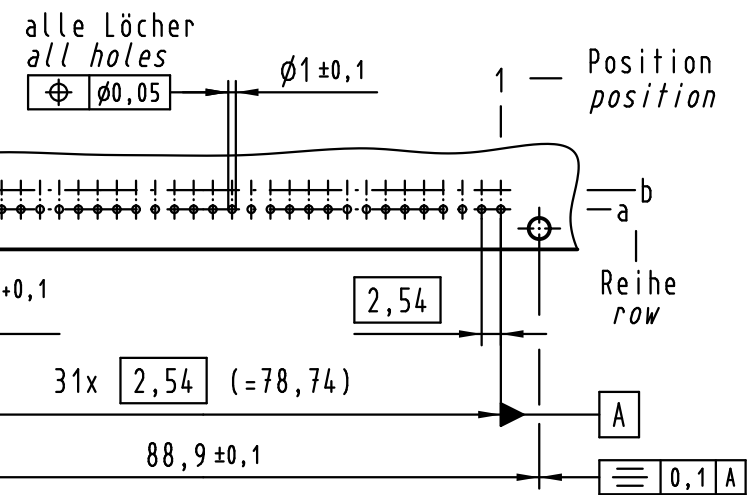
Address: A1208, Overseas Decoration Building, #122 Zhenhua RD., Futian, Shenzhen, China



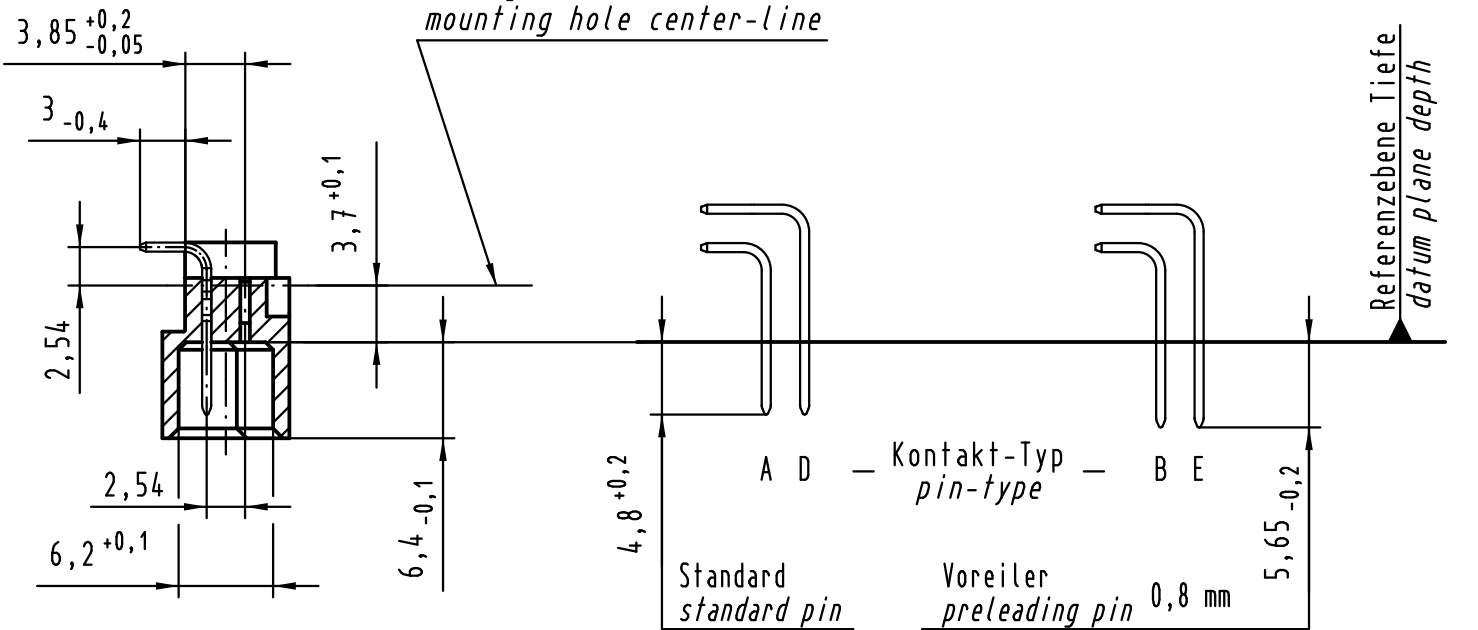
Alle Rechte vorbehalten/ All rights reserved



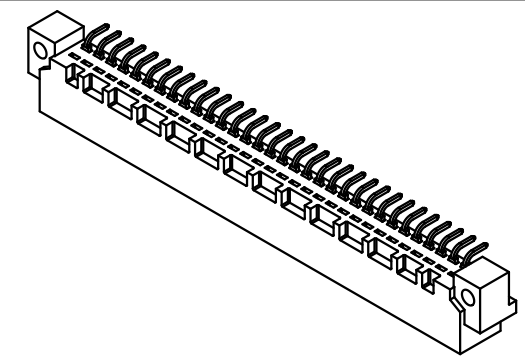
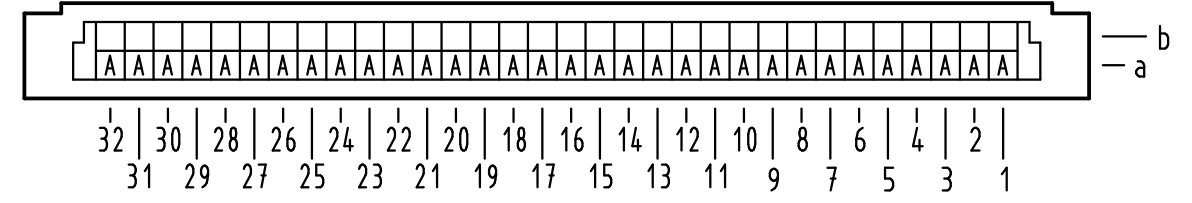
Y
Lochbild
board drillings



A-A (2:1)



X
Kontaktbelegung
contact loading



① weitere Informationen siehe: DS 09 03 120 02 03
further information see: DS 09 03 120 02 03

09 02 132 7931	3
09 02 132 6931	2
09 02 132 2931	1
Bestell-Nr. part-no.	Anforderungsstufe performance level ①

All Dimensions in mm Original Size DIN A 3		Techn. Character.			Nicht tolerierte Maßel/Free size tolerances IEC 60603-2		
			Dat.	Name	Maßstab/Scale 1:1	Bauform / type B Messerleiste Einlöt 32-polig male connector solder 32-pole	
36467	15.12.11	Hage.	Detail.	11.07.00			Rie.
36409	06.07.11	LehT	Insp.	11.07.00			Pa.
35345	07.10.08	Hage.	Stand.				
34650	24.10.07	Hage.				TB 09 02 132 x931 Sub.	
28027			HARTING Electronics GmbH & Co. KG D-32339 ESPELKAMP				
Mod.	Dat.	Name					

Blatt/ page