



Chipsmall Limited consists of a professional team with an average of over 10 year of expertise in the distribution of electronic components. Based in Hongkong, we have already established firm and mutual-benefit business relationships with customers from,Europe,America and south Asia,supplying obsolete and hard-to-find components to meet their specific needs.

With the principle of “Quality Parts,Customers Priority,Honest Operation,and Considerate Service”,our business mainly focus on the distribution of electronic components. Line cards we deal with include Microchip,ALPS,ROHM,Xilinx,Pulse,ON,Everlight and Freescale. Main products comprise IC,Modules,Potentiometer,IC Socket,Relay,Connector.Our parts cover such applications as commercial,industrial, and automotives areas.

We are looking forward to setting up business relationship with you and hope to provide you with the best service and solution. Let us make a better world for our industry!



## Contact us

Tel: +86-755-8981 8866 Fax: +86-755-8427 6832

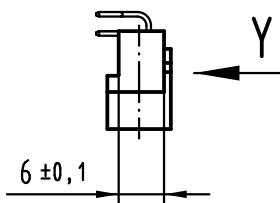
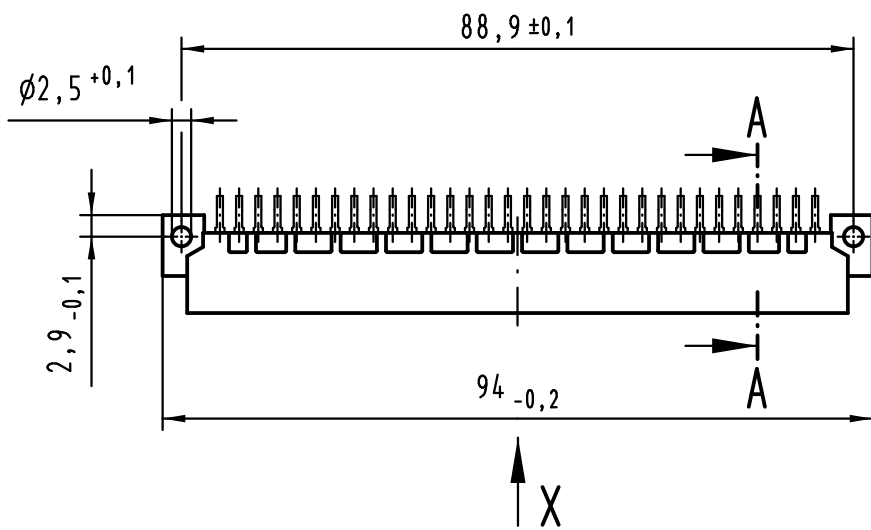
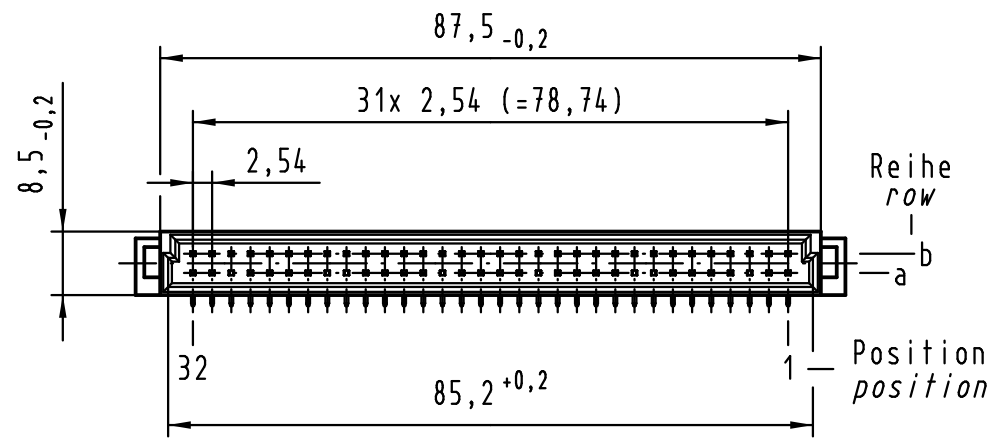
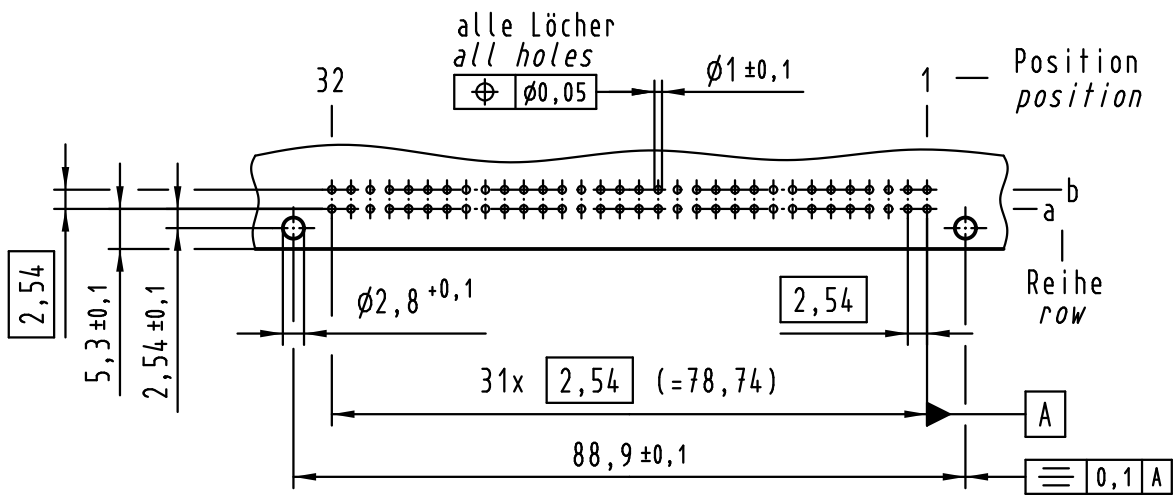
Email & Skype: info@chipsmall.com Web: www.chipsmall.com

Address: A1208, Overseas Decoration Building, #122 Zhenhua RD., Futian, Shenzhen, China

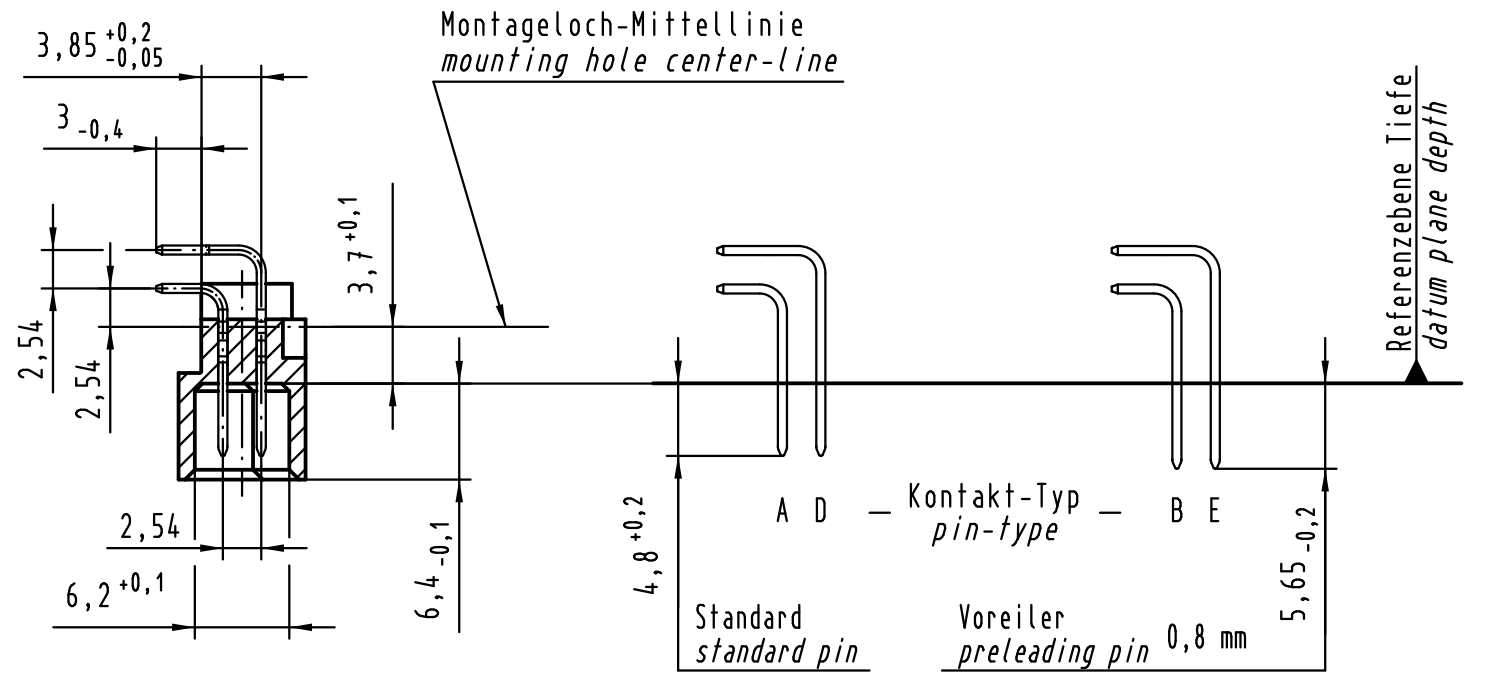


Alle Rechte vorbehalten/ All rights reserved

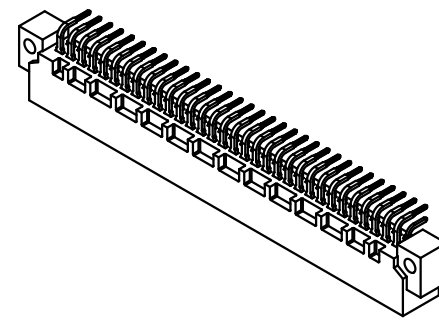
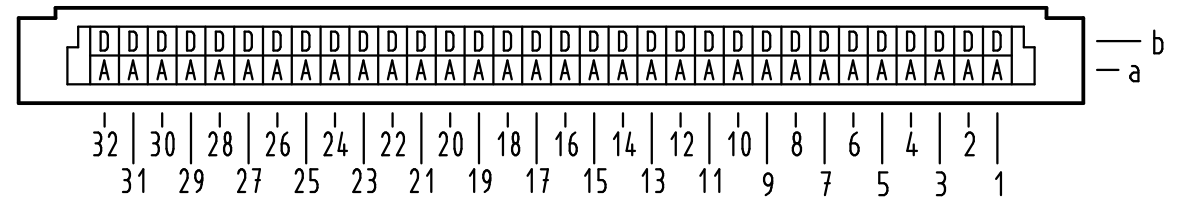
### Y Lochbild board drillings



### A-A (2:1)



### X Kontaktbelegung contact loading



① weitere Informationen siehe: DS 09 03 120 02 03  
further information see: DS 09 03 120 02 03

09 02 164 7921	3
09 02 164 6921	2
09 02 164 2921	1
Bestell-Nr. part-no.	Anforderungsstufe performance level ①

All Dimensions in mm Original Size DIN A 3			Techn. Character.			Maßstab/Scale 1:1
Mod.	Dat.	Name		Dat.	Name	
36467	19.12.11	Hage.	Detail.	21.06.00	Rie.	HARTING
36409	06.07.11	LehT	Insp.	21.06.00	Pa.	
35345	10.10.08	Hage.	Stand.			
34650	24.10.07	Hage.	HARTING Electronics GmbH & Co. KG D-32339 ESPELKAMP			Sub.
28027						

Nicht tolerierte Maßel/Free size tolerances IEC 60603-2	
<b>Bauform / type B</b>	
Messerleiste Einlöt 64-polig male connector solder 64-pole	
TB 09 02 164 x921	Blatt/ page