



Chipsmall Limited consists of a professional team with an average of over 10 year of expertise in the distribution of electronic components. Based in Hongkong, we have already established firm and mutual-benefit business relationships with customers from,Europe,America and south Asia,supplying obsolete and hard-to-find components to meet their specific needs.

With the principle of “Quality Parts,Customers Priority,Honest Operation,and Considerate Service”,our business mainly focus on the distribution of electronic components. Line cards we deal with include Microchip,ALPS,ROHM,Xilinx,Pulse,ON,Everlight and Freescale. Main products comprise IC,Modules,Potentiometer,IC Socket,Relay,Connector.Our parts cover such applications as commercial,industrial, and automotives areas.

We are looking forward to setting up business relationship with you and hope to provide you with the best service and solution. Let us make a better world for our industry!



Contact us

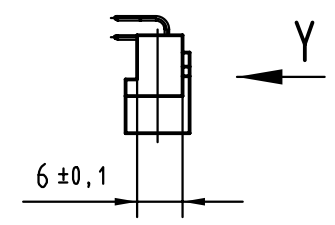
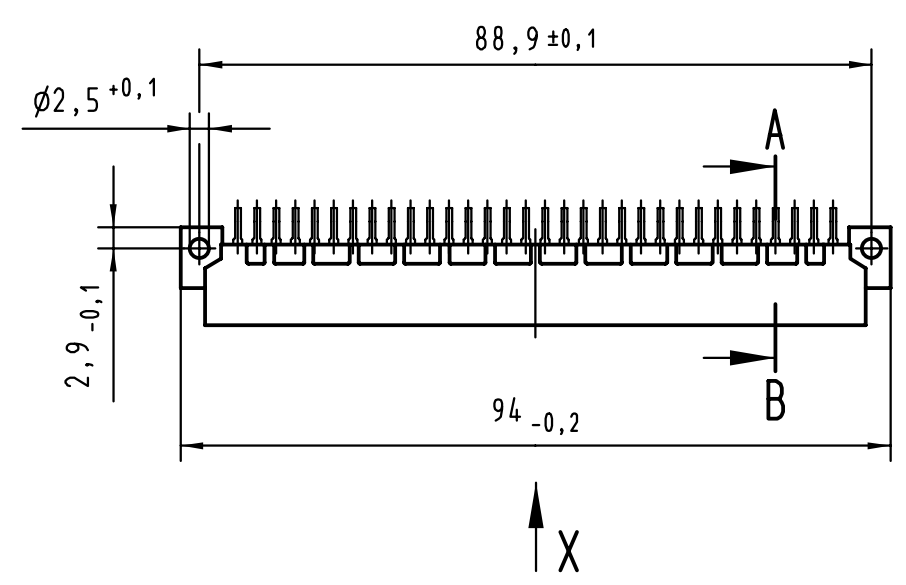
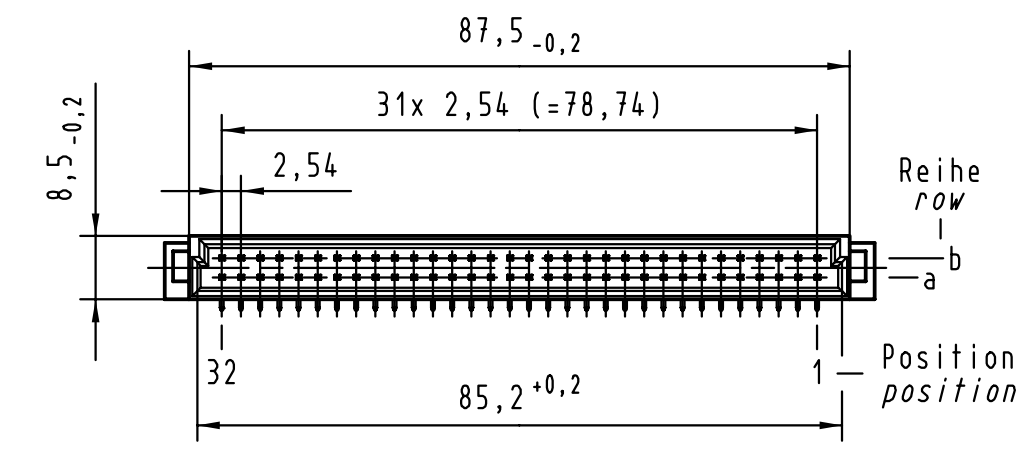
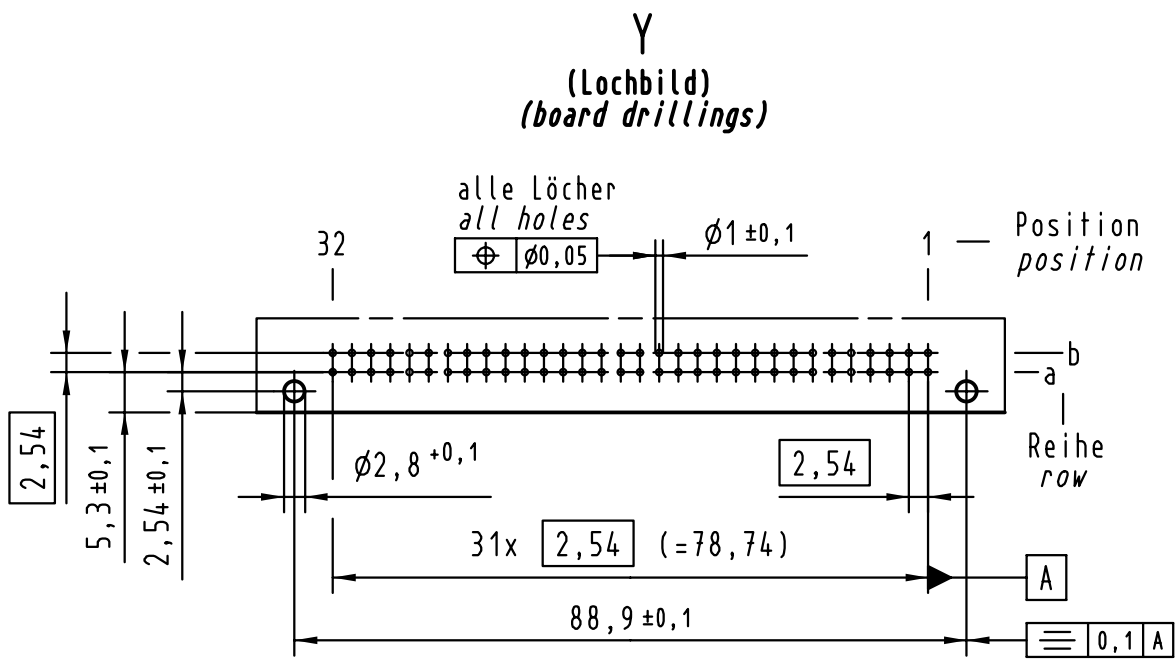
Tel: +86-755-8981 8866 Fax: +86-755-8427 6832

Email & Skype: info@chipsmall.com Web: www.chipsmall.com

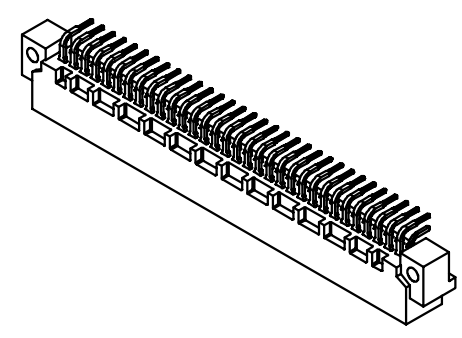
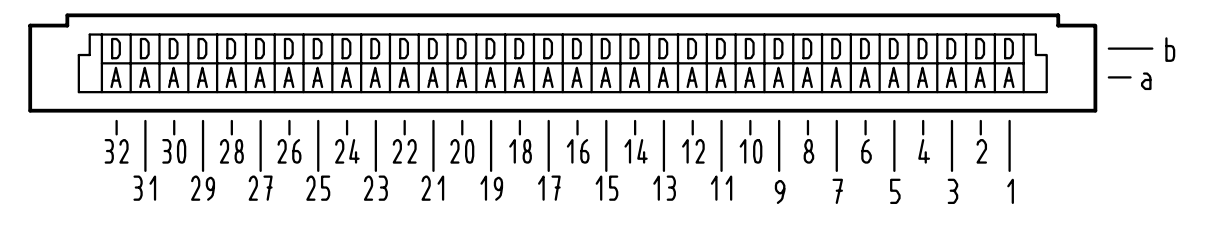
Address: A1208, Overseas Decoration Building, #122 Zhenhua RD., Futian, Shenzhen, China



Alle Rechte vorbehalten/ All rights reserved



X Kontaktbelegung contact loading



09 02 164 5921	-	min. $0,76 \mu\text{m}$ ($30 \mu\text{m}$) Au über/over min. $1,27 \mu\text{m}$ ($50 \mu\text{m}$) Ni
09 02 164 4921	VG	Au über/over Ni
09 02 164 7921	3	Au über/over Ni
09 02 164 6921	2	Au über/over Ni
09 02 164 2921	1	Au über/over Ni
Bestell-Nr. Part-No.	Anforderungsstufe nach IEC performance level per IEC	Kontaktoberfläche Contact Plating

<p>All Dimensions in mm Original Size DIN A 3</p>	Techn. Character.			Nicht tolerierte Maß/Free size tolerances siehe /see IEC 603-2	
		Dat.	Name	Maßstab/Scale 1:1 (2:1)	
		Detail.	21.06.00 Rie.		
		Insp.	21.06.00 Pa.		
	Stand.				
28027	HARTING KGaA			TB 09 02 164 x921	
Mod. Dat. Name	D-32339 ESPELKAMP				
					Sub.