



Chipsmall Limited consists of a professional team with an average of over 10 year of expertise in the distribution of electronic components. Based in Hongkong, we have already established firm and mutual-benefit business relationships with customers from,Europe,America and south Asia,supplying obsolete and hard-to-find components to meet their specific needs.

With the principle of "Quality Parts,Customers Priority,Honest Operation,and Considerate Service",our business mainly focus on the distribution of electronic components. Line cards we deal with include Microchip,ALPS,ROHM,Xilinx,Pulse,ON,Everlight and Freescale. Main products comprise IC,Modules,Potentiometer,IC Socket,Relay,Connector.Our parts cover such applications as commercial,industrial, and automotives areas.

We are looking forward to setting up business relationship with you and hope to provide you with the best service and solution. Let us make a better world for our industry!



## Contact us

Tel: +86-755-8981 8866 Fax: +86-755-8427 6832

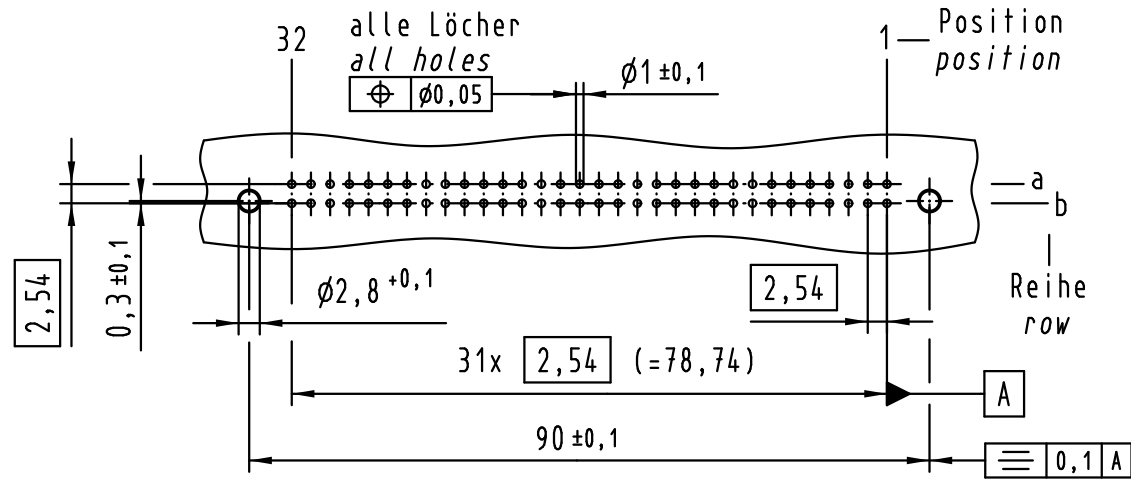
Email & Skype: info@chipsmall.com Web: www.chipsmall.com

Address: A1208, Overseas Decoration Building, #122 Zhenhua RD., Futian, Shenzhen, China

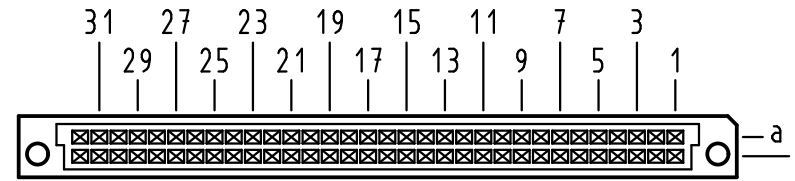


Alle Rechte vorbehalten/ All rights reserved

**X**  
Lochbild  
board drillings



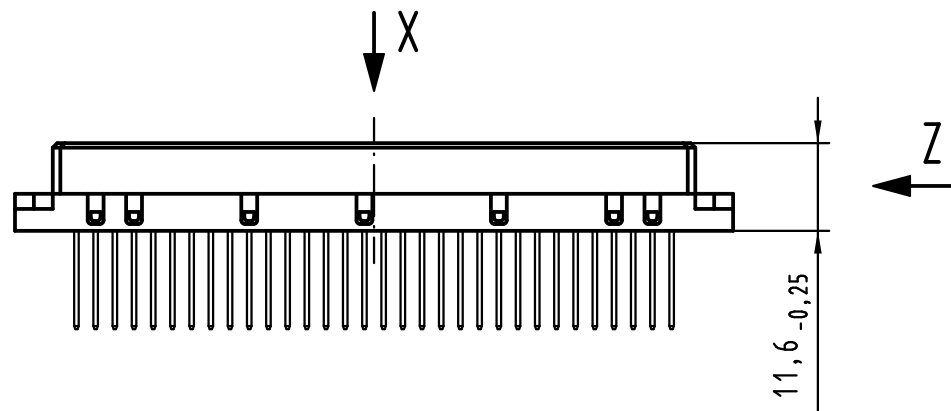
**X**  
Kontaktanordnung  
contact arrangement



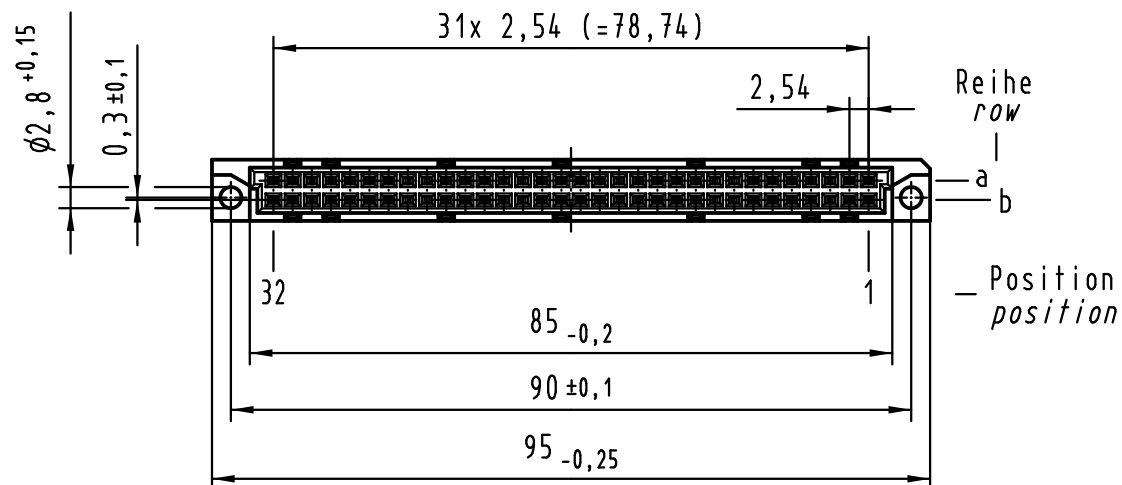
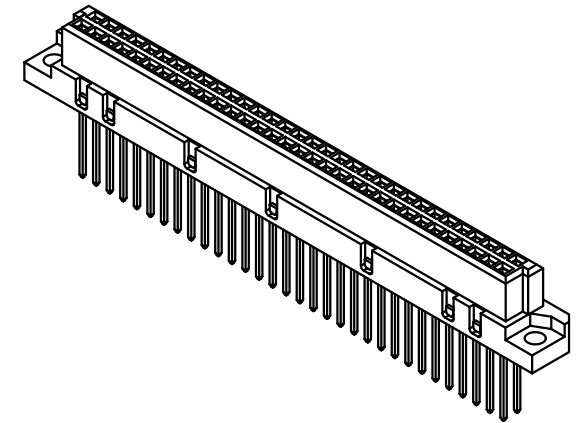
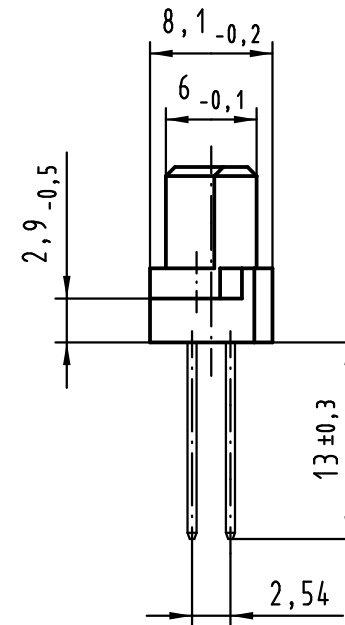
64 WW Kontakte  
64 WW contacts

☒ = Kontaktposition belegt  
= position with contact

☐ = Kontaktposition nicht belegt  
= position without contact



**Z (2:1)**



① weitere Informationen siehe: DS 09 03 210 00 02  
further information see: DS 09 03 210 00 02

09 02 264 6821	2
Bestell-Nr. part-no.	Anforderungsstufe performance level ①

All Dimensions in mm Original Size DIN A 3		Techn. Character.			Nicht tolerierte Maß/Free size tolerances IEC 60603-2	
			Dat.	Name	Maßstab/Scale 1:1	<b>Bauform / type B</b> Federleiste WW 13 64-polig female connector WW 13 64-pole
36468	04.01.12	Hage.	Detail.	12.10.99		
34650	25.10.07	Hage.	Insp.	12.10.99	Pa.	<b>TB 09 02 264 x821</b> Blatt/page Sub.
26962	24.01.00	Rie.	Stand.			
26091			HARTING Electronics GmbH & Co. KG D-32339 ESPELKAMP			
Mod.	Dat.	Name				