



Chipsmall Limited consists of a professional team with an average of over 10 year of expertise in the distribution of electronic components. Based in Hongkong, we have already established firm and mutual-benefit business relationships with customers from,Europe,America and south Asia,supplying obsolete and hard-to-find components to meet their specific needs.

With the principle of “Quality Parts,Customers Priority,Honest Operation,and Considerate Service”,our business mainly focus on the distribution of electronic components. Line cards we deal with include Microchip,ALPS,ROHM,Xilinx,Pulse,ON,Everlight and Freescale. Main products comprise IC,Modules,Potentiometer,IC Socket,Relay,Connector.Our parts cover such applications as commercial,industrial, and automotives areas.

We are looking forward to setting up business relationship with you and hope to provide you with the best service and solution. Let us make a better world for our industry!



Contact us

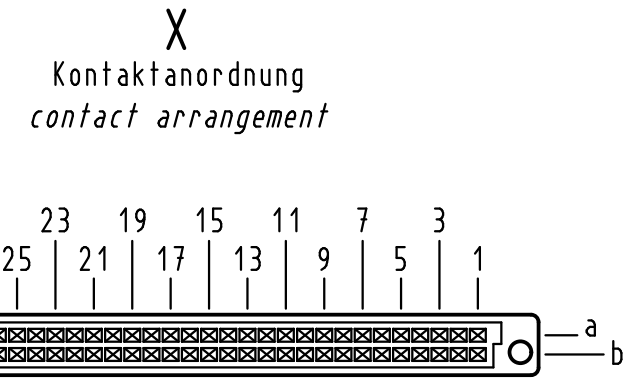
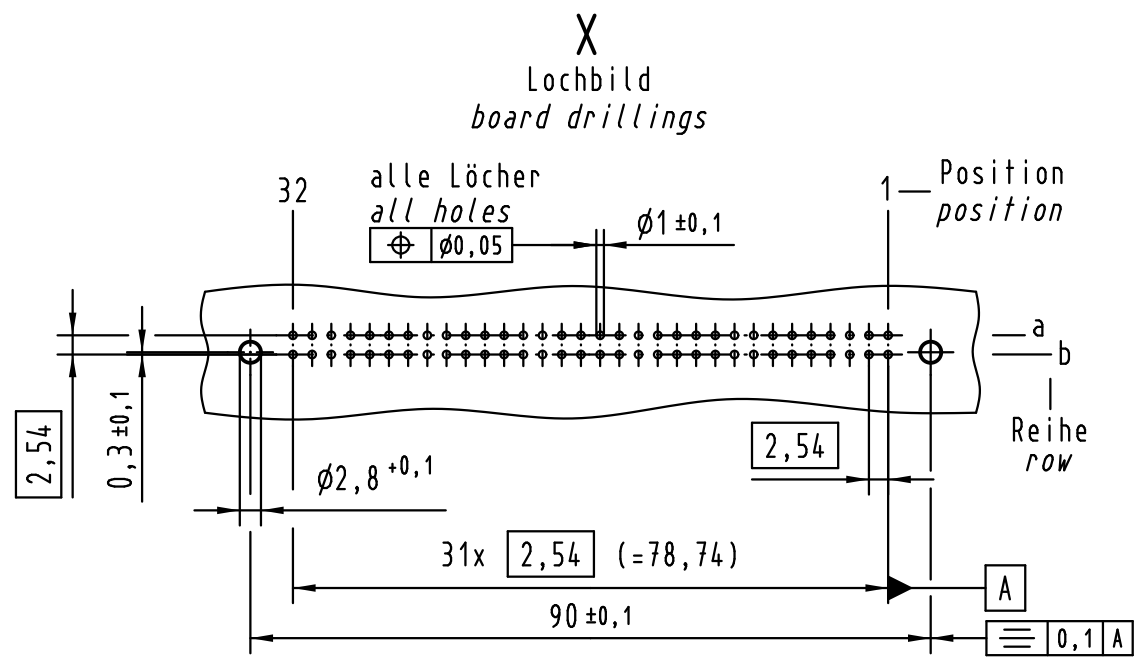
Tel: +86-755-8981 8866 Fax: +86-755-8427 6832

Email & Skype: info@chipsmall.com Web: www.chipsmall.com

Address: A1208, Overseas Decoration Building, #122 Zhenhua RD., Futian, Shenzhen, China



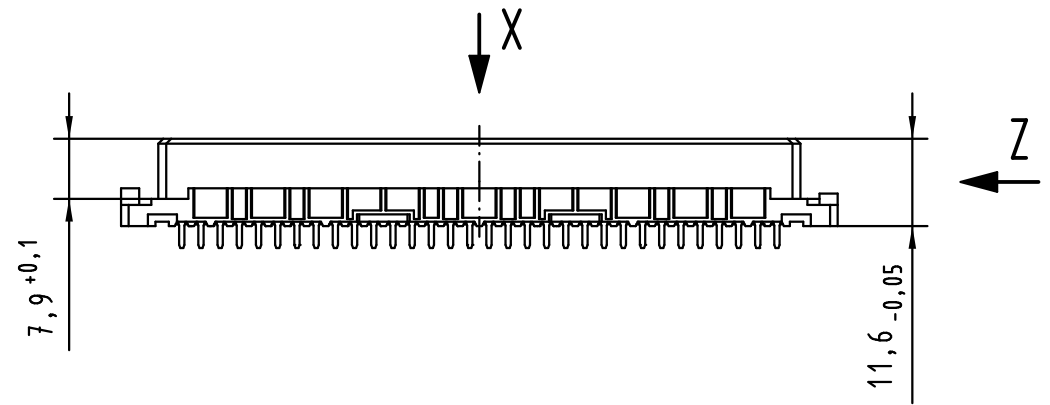
Alle Rechte vorbehalten/ All rights reserved



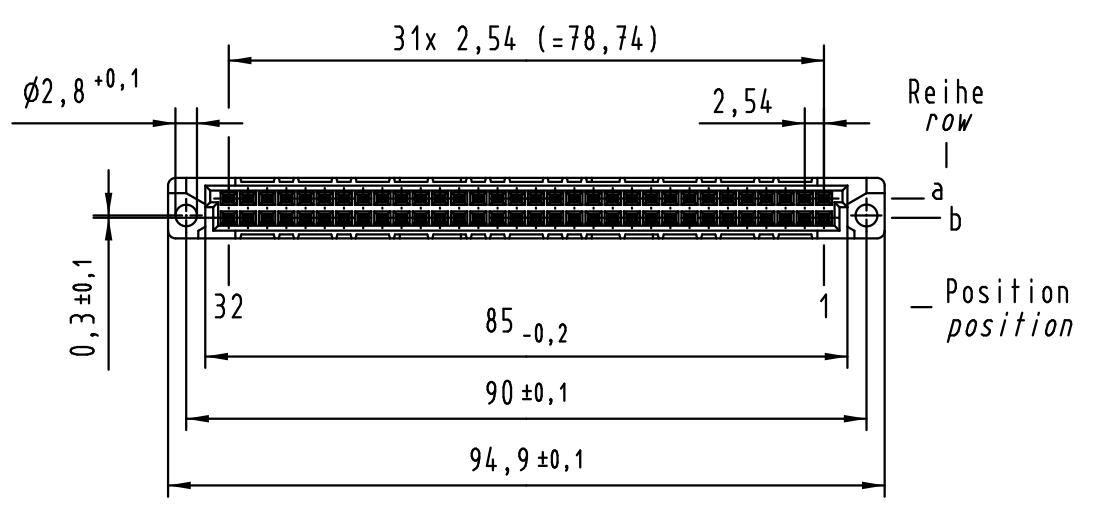
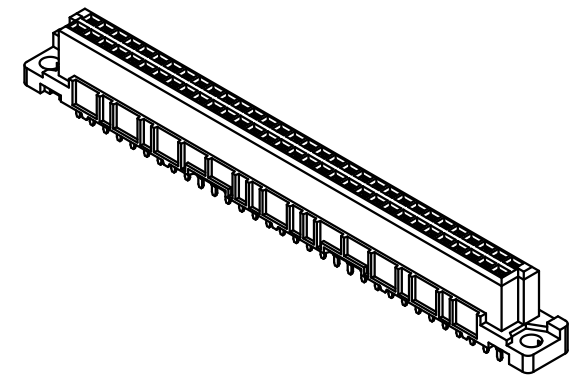
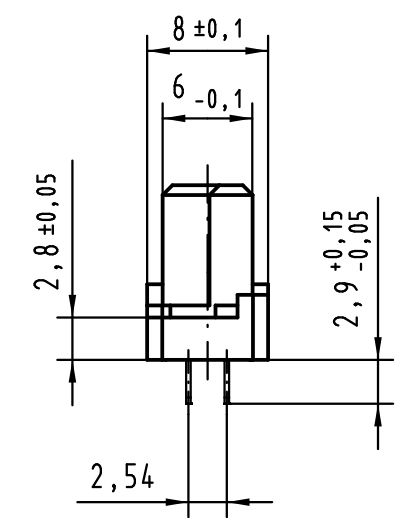
64 Einlöt Kontakte
64 solder contacts

☒ = Kontaktposition belegt
= position with contact

☐ = Kontaktposition nicht belegt
= position without contact



Z (2:1)



① weitere Informationen siehe: DS 09 03 213 02 01
further information see: DS 09 03 213 02 01

09 02 264 6841	2
Bestell-Nr. part-no.	Anforderungsstufe performance level ①

All Dimensions in mm Original Size DIN A 3		Techn. Character.		Nicht tolerierte Maßel/Free size tolerances IEC 60603-2	
		Dat.	Name	Maßstab/Scale	
		Detail.	28.08.09 Bus.	1:1	
		Insp.	28.08.09 TD		
		Stand.			
36468	06.01.12	Hage.		Bauform / type B Federleiste Einlöt 2,9 16-polig, SMC female connector solder 2.9 64-pole, SMC	
36412	13.07.11	Hage.			
35568					
Mod.	Dat.	Name	HARTING Electronics GmbH & Co. KG D-32339 ESPELKAMP		Blatt/ page TB 09 02 264 x841
					Sub.