



Chipsmall Limited consists of a professional team with an average of over 10 year of expertise in the distribution of electronic components. Based in Hongkong, we have already established firm and mutual-benefit business relationships with customers from,Europe,America and south Asia,supplying obsolete and hard-to-find components to meet their specific needs.

With the principle of “Quality Parts,Customers Priority,Honest Operation,and Considerate Service”,our business mainly focus on the distribution of electronic components. Line cards we deal with include Microchip,ALPS,ROHM,Xilinx,Pulse,ON,Everlight and Freescale. Main products comprise IC,Modules,Potentiometer,IC Socket,Relay,Connector.Our parts cover such applications as commercial,industrial, and automotives areas.

We are looking forward to setting up business relationship with you and hope to provide you with the best service and solution. Let us make a better world for our industry!



## Contact us

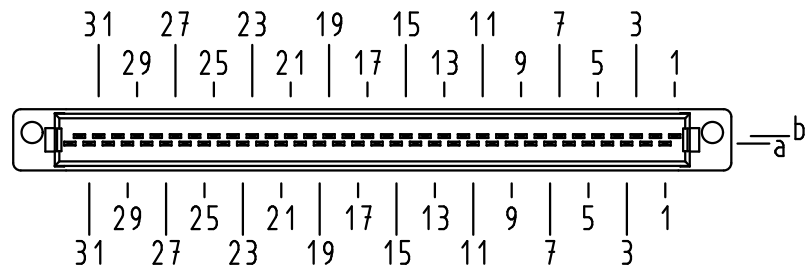
Tel: +86-755-8981 8866 Fax: +86-755-8427 6832

Email & Skype: info@chipsmall.com Web: www.chipsmall.com

Address: A1208, Overseas Decoration Building, #122 Zhenhua RD., Futian, Shenzhen, China



Y Kontaktanordnung  
contact arrangement

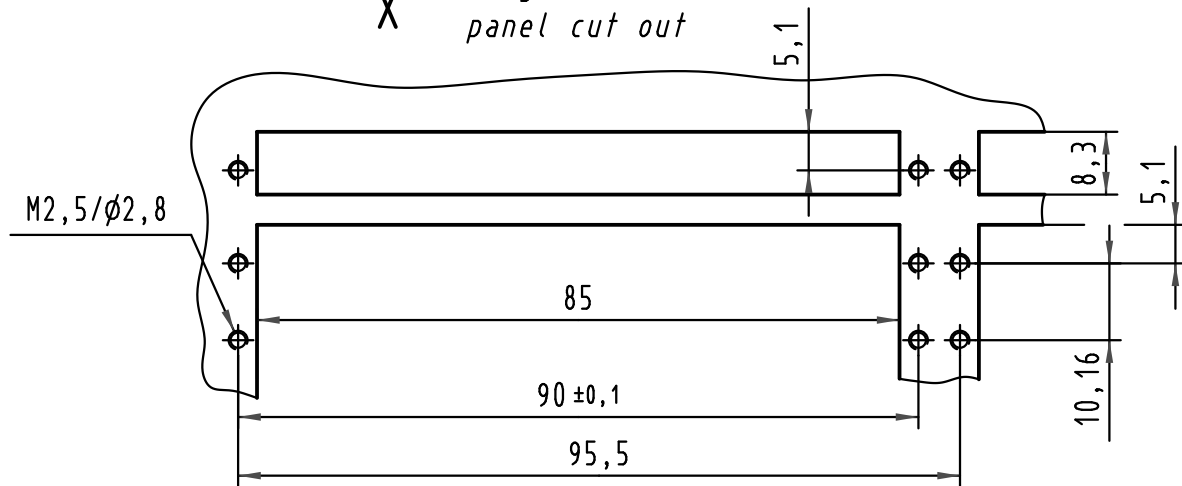


64 Kontakte  
64 contacts

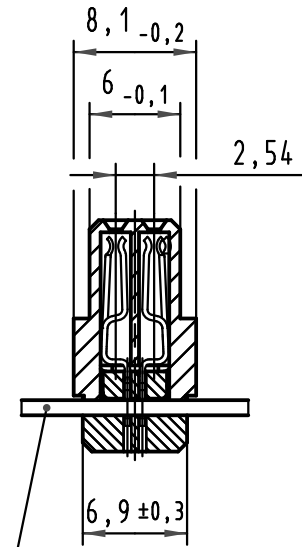
■ = Kontaktposition belegt  
= position with contact

□ = Kontaktposition nicht belegt  
= position without contact

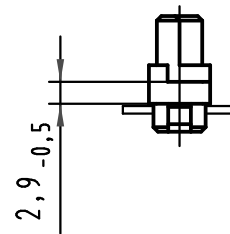
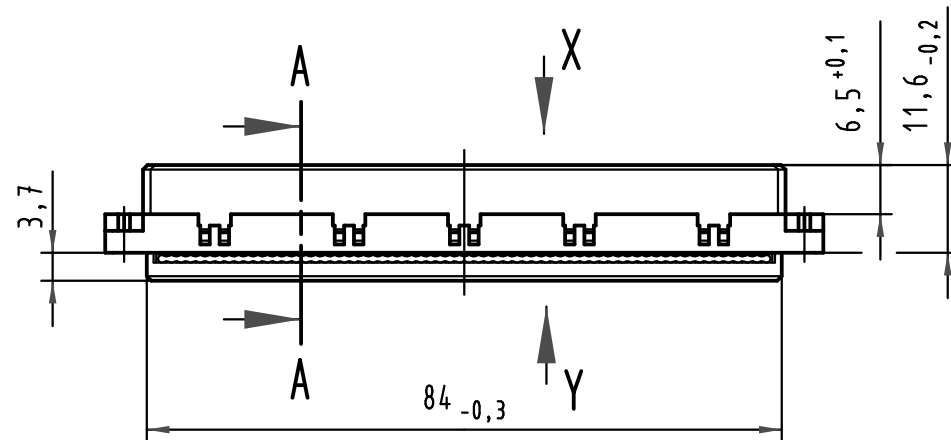
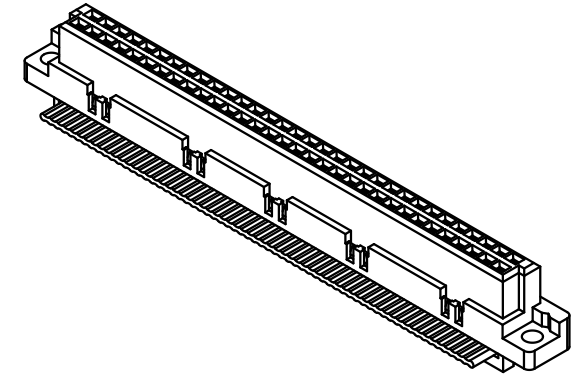
X Montageausschnitt  
panel cut out



A-A  
2:1

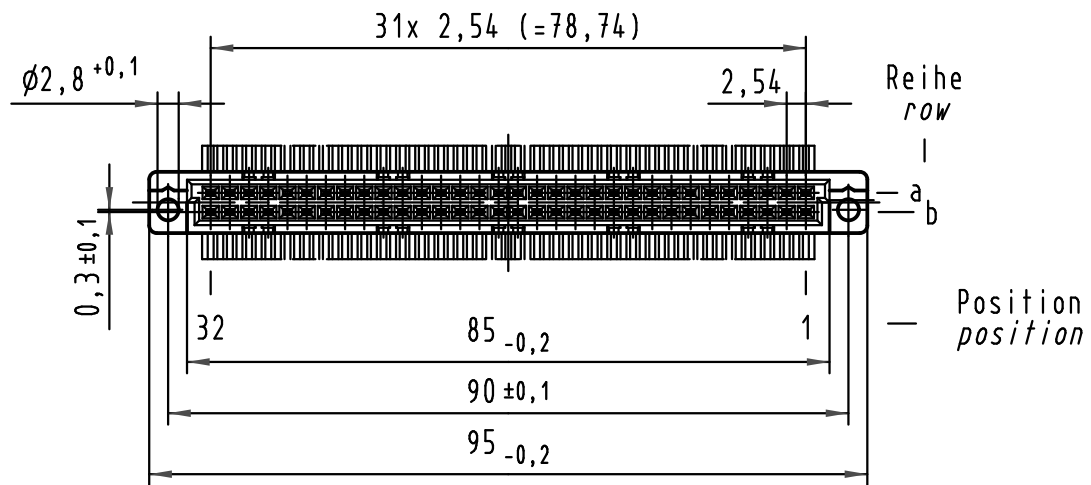


Flachleitung AWG 28/7  
Raster 1,27mm  
(gehört nicht zum Lieferumfang)  
flat cable AWG 28/7  
pitch 1,27mm  
(is not in scope of delivery)



Ader 1 des Flachkabels auf Kontakt 1b  
lead number 1 of flat cable on contact 1b

09 02 264 <u>7</u> 828	3	Au über/over Ni
09 02 264 <u>6</u> 828	2	Au über/over Ni
-	-	-
Bestell-Nr. part-no.	Anforderungsstufe nach IEC performance level acc.to IEC	Kontaktoberfläche contact plating



All Dimensions in mm Original Size DIN A 3		Techn. Character.			Nicht tolerierte Maßel Free size tolerances IEC 60603-2		
			Dat.	Name	Maßstab/Scale 1:1 2:1	Typ B Federleiste mit Schneidklemmen, 64 pol. type B female connector with insulation displacement, 64 pol.	
			Detail.	25.02.08			LehT
			Insp.	25.02.08			mte
			Stand.				
34977		HARTING Electronics GmbH & Co. KG		D-32339 ESPELKAMP	HARTING	TB 09 02 264 x828	
Mod.	Dat.	Name	Sub.				Blatt/ page