



Chipsmall Limited consists of a professional team with an average of over 10 year of expertise in the distribution of electronic components. Based in Hongkong, we have already established firm and mutual-benefit business relationships with customers from,Europe,America and south Asia,supplying obsolete and hard-to-find components to meet their specific needs.

With the principle of “Quality Parts,Customers Priority,Honest Operation,and Considerate Service”,our business mainly focus on the distribution of electronic components. Line cards we deal with include Microchip,ALPS,ROHM,Xilinx,Pulse,ON,Everlight and Freescale. Main products comprise IC,Modules,Potentiometer,IC Socket,Relay,Connector.Our parts cover such applications as commercial,industrial, and automotives areas.

We are looking forward to setting up business relationship with you and hope to provide you with the best service and solution. Let us make a better world for our industry!



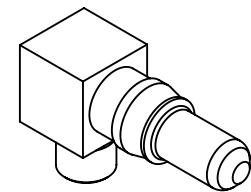
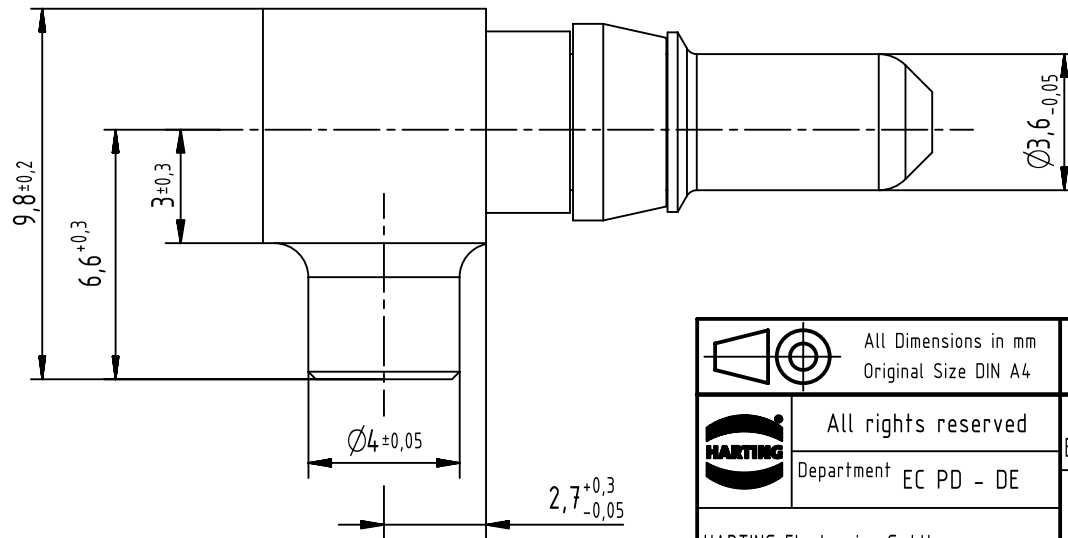
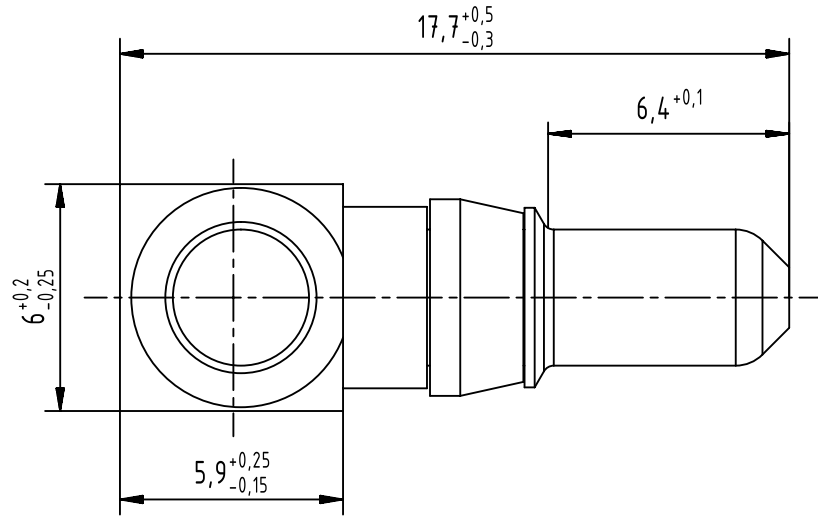
## Contact us


Tel: +86-755-8981 8866 Fax: +86-755-8427 6832

Email & Skype: info@chipsmall.com Web: www.chipsmall.com

Address: A1208, Overseas Decoration Building, #122 Zhenhua RD., Futian, Shenzhen, China





	All Dimensions in mm Original Size DIN A4		Scale 5:1	Free size tol. complementary DIN 41626-1		Ref. Sub. TB 09 03 000 6110 32671 19.04.05		
	All rights reserved Department EC PD - DE		Created by ELLERMANN	Inspected by DAHMS	Standardisation HOFFMANN	Date 2013-11-28	State Final Release	
HARTING Electronics GmbH D-32339 Espelkamp			Title DIN Signal male contact power 40A angled solder				Doc-Key / ECM-Nr. 100083640/UGD/002/B 500000068473	
			Type TB	Number 09030006110			Rev. B	Page 1/1