



Chipsmall Limited consists of a professional team with an average of over 10 year of expertise in the distribution of electronic components. Based in Hongkong, we have already established firm and mutual-benefit business relationships with customers from,Europe,America and south Asia,supplying obsolete and hard-to-find components to meet their specific needs.

With the principle of “Quality Parts,Customers Priority,Honest Operation,and Considerate Service”,our business mainly focus on the distribution of electronic components. Line cards we deal with include Microchip,ALPS,ROHM,Xilinx,Pulse,ON,Everlight and Freescale. Main products comprise IC,Modules,Potentiometer,IC Socket,Relay,Connector.Our parts cover such applications as commercial,industrial, and automotives areas.

We are looking forward to setting up business relationship with you and hope to provide you with the best service and solution. Let us make a better world for our industry!



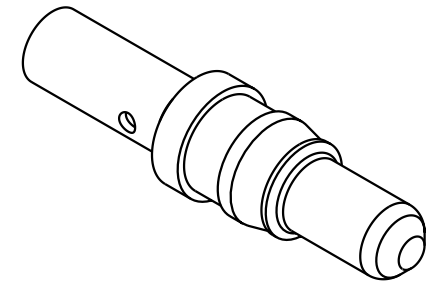
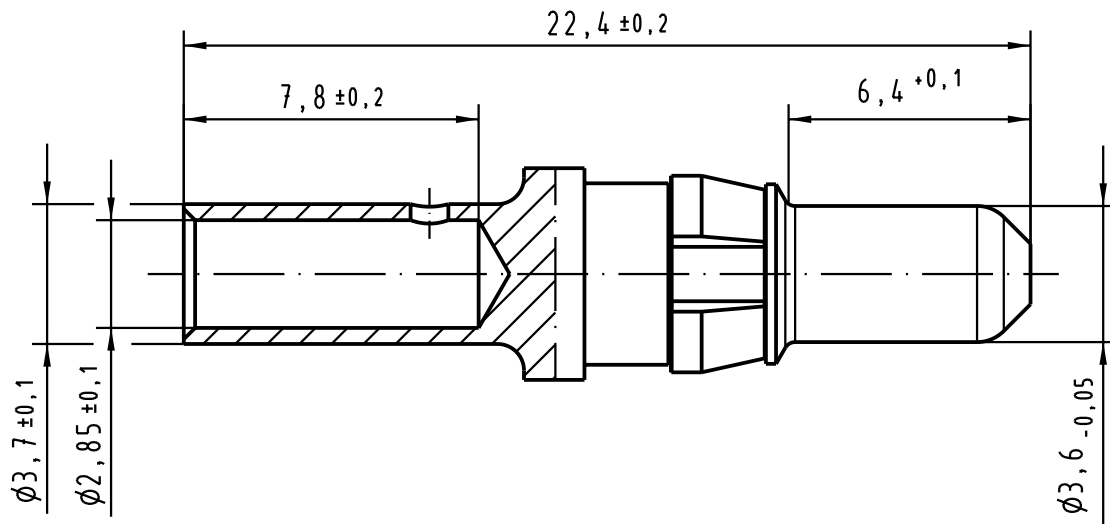
## Contact us

Tel: +86-755-8981 8866 Fax: +86-755-8427 6832

Email & Skype: info@chipsmall.com Web: www.chipsmall.com

Address: A1208, Overseas Decoration Building, #122 Zhenhua RD., Futian, Shenzhen, China





	All Dimensions in mm Original Size DIN A 4		Techn. Character. <b>DIN 41626 Teil 1</b>			Nicht tolerierte Maß/Free size tolerances siehe / see IEC 60603-2		
				Dat.	Name	Maßstab/Scale  <b>5 : 1</b>	Hochstromkontaktstift 20A crimp für Messerleiste Typ M male power contact 20A crimp for male connector type M	
				Detail.	04.07.02			Rie.
			Insp.	04.07.02	kfoe			
			Stand.					
30077			HARTING Electronics GmbH & Co. KG D-32339 ESPELKAMP				<b>TB 09 03 000 6114</b>	Blatt/ page
Mod.	Dat.	Name					Sub. TB 09 03 000 6114 Mod. 14667 v. 27.04.93	/