



Chipsmall Limited consists of a professional team with an average of over 10 year of expertise in the distribution of electronic components. Based in Hongkong, we have already established firm and mutual-benefit business relationships with customers from,Europe,America and south Asia,supplying obsolete and hard-to-find components to meet their specific needs.

With the principle of “Quality Parts,Customers Priority,Honest Operation,and Considerate Service”,our business mainly focus on the distribution of electronic components. Line cards we deal with include Microchip,ALPS,ROHM,Xilinx,Pulse,ON,Everlight and Freescale. Main products comprise IC,Modules,Potentiometer,IC Socket,Relay,Connector.Our parts cover such applications as commercial,industrial, and automotives areas.

We are looking forward to setting up business relationship with you and hope to provide you with the best service and solution. Let us make a better world for our industry!



## Contact us

Tel: +86-755-8981 8866 Fax: +86-755-8427 6832

Email & Skype: info@chipsmall.com Web: www.chipsmall.com

Address: A1208, Overseas Decoration Building, #122 Zhenhua RD., Futian, Shenzhen, China



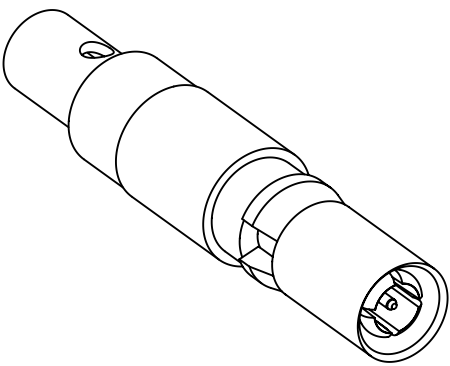
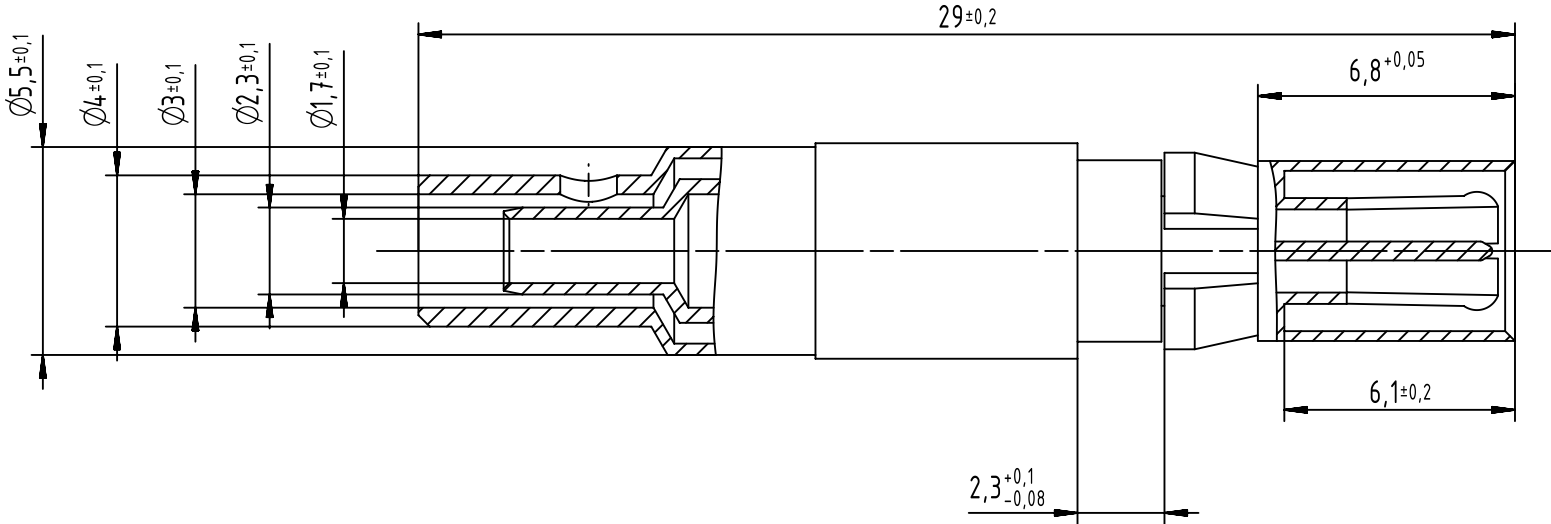
1 2 3 4 5 6

A


B

C

D



male coax contact 75 Ohm straight solder/crimp  
for female connector DIN Signal type M

	All rights reserved Department EC PD - DE	All Dimensions in mm Original Size DIN A4		Scale 5:1	Free size tol.	Ref. DIN 41626-2		
		HARTING Electronics GmbH D-32339 Espelkamp		Created by ELLERMANN		Inspected by DAHMS	Standardisation HOFFMANN	Date 2013-12-18
Title DIN Signal male contact coax 75 Ohm str solder crimp						Sub. TB 09030006181 500000057264 2012-11-30		
Type TB						Number 09030006181		Doc-Key / ECM-Nr. 100072457/UGD/002/C 500000068957
						Rev. C	Page 1/1	