



Chipsmall Limited consists of a professional team with an average of over 10 year of expertise in the distribution of electronic components. Based in Hongkong, we have already established firm and mutual-benefit business relationships with customers from,Europe,America and south Asia,supplying obsolete and hard-to-find components to meet their specific needs.

With the principle of “Quality Parts,Customers Priority,Honest Operation,and Considerate Service”,our business mainly focus on the distribution of electronic components. Line cards we deal with include Microchip,ALPS,ROHM,Xilinx,Pulse,ON,Everlight and Freescale. Main products comprise IC,Modules,Potentiometer,IC Socket,Relay,Connector.Our parts cover such applications as commercial,industrial, and automotives areas.

We are looking forward to setting up business relationship with you and hope to provide you with the best service and solution. Let us make a better world for our industry!



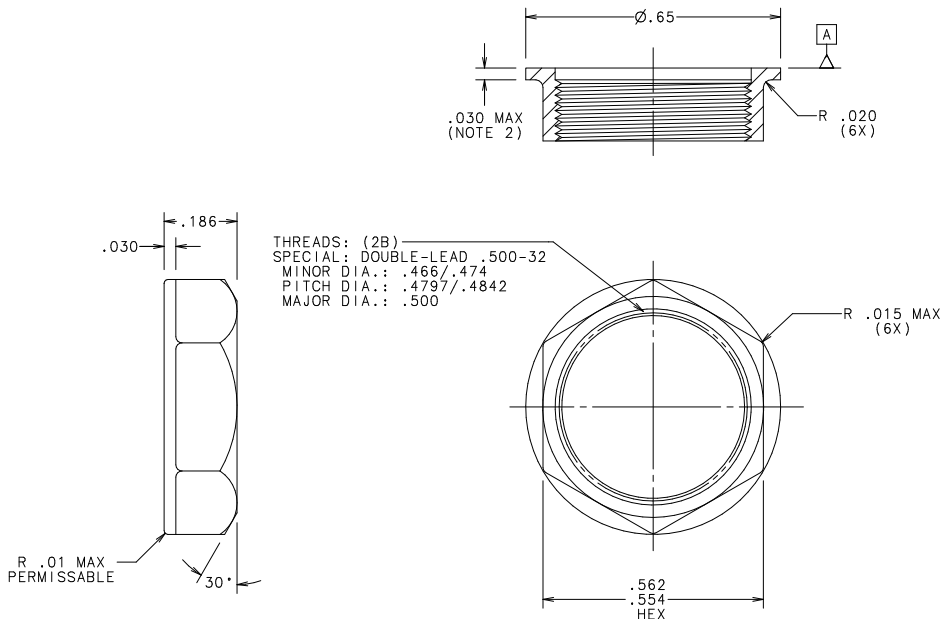
## Contact us

Tel: +86-755-8981 8866 Fax: +86-755-8427 6832

Email & Skype: info@chipsmall.com Web: www.chipsmall.com

Address: A1208, Overseas Decoration Building, #122 Zhenhua RD., Futian, Shenzhen, China





NOTES:

1. NUT IS TO ACCEPT A TORQUE OF 18 LB.-IN. WITHOUT CRACKING OR STRIPPING
2. THE STARTING POINT OF THE LEAD THREAD CANNOT EXCEED .030 FROM SURFACE [A].
3. "FLASH EXTENDING ABOVE SURFACE [A] CANNOT EXCEED .006 HIGH AND .004 THICK.

PACKAGING NOTES:

PLACE IN TOTE -580599 LINED WITH POLY BAG -890-750 LABEL TOTE WITH -914-796 PRINTED PER GENERAL LABEL SPEC. LS-000003.

1	057295	RYNITE 415 HP	DESCRIPTION	LB	2.25
NO	COMPONENT NO			QTY/M	U/M

BILL OF MATERIAL			
CDPIES TO	MATL SPEC	FINISH	
1	9 18	DRW	SCALE 4:1
2	10 19	KAM	DATE 1/23/97
3	12 20	CHK	SUPER DRW
4	13 21	APPD	RAW STK WT
5	14 23		LBS/M
6	15 33		TOLERANCE UNLESS OTHERWISE SPECIFIED
7	16 43		TWO PLACE DEC ±.01 FRACTION ±
8	17 53		THREE PLACE DEC ±.005 ANGULAR ±1°
TITLE			
HEX NUT, MOLDED			

LTR	REVISION	CHK	APD
K	39068C-REVISE & REDRAWN IN NEW STRUCTURE 4/16/98 KAM		
L	39682C-CHG. 0.845 TO .7896 03/22/99 PJM		
M	80635C-CHG. .7896 TO 2.25 08/22/00 PJM		

UNLESS OTHERWISE SPECIFIED, DIMENSIONS DO NOT INCLUDE PLATING.  
 DENOTES CRITICAL CHARACTERISTICS.  
 DENOTES CPK DIMENSIONS - MINIMUM CPK VALUE  
 DENOTES A CHARACTERISTIC THAT PROVIDES AN INDICATION OF THE STARTING POINT OF THE LEAD THREAD FOR MEASUREMENT AND TAPPING TO THE INDICATED PROCEDURE FOR MEASUREMENT.  
 DENOTES CP DIMENSIONS - MINIMUM CP VALUE  
 DIMENSIONS WITHIN THE DIMENSIONAL LIMITATIONS SHOWN ARE FOR MAXIMUM TOOL LIFE.

REVISION  
 M  
 DES PLAINES, ILL INOIS 60016  
**Litefuse**  
 DRWS. MA.  
 903-097

