



Chipsmall Limited consists of a professional team with an average of over 10 year of expertise in the distribution of electronic components. Based in Hongkong, we have already established firm and mutual-benefit business relationships with customers from,Europe,America and south Asia,supplying obsolete and hard-to-find components to meet their specific needs.

With the principle of “Quality Parts,Customers Priority,Honest Operation,and Considerate Service”,our business mainly focus on the distribution of electronic components. Line cards we deal with include Microchip,ALPS,ROHM,Xilinx,Pulse,ON,Everlight and Freescale. Main products comprise IC,Modules,Potentiometer,IC Socket,Relay,Connector.Our parts cover such applications as commercial,industrial, and automotives areas.

We are looking forward to setting up business relationship with you and hope to provide you with the best service and solution. Let us make a better world for our industry!



## Contact us

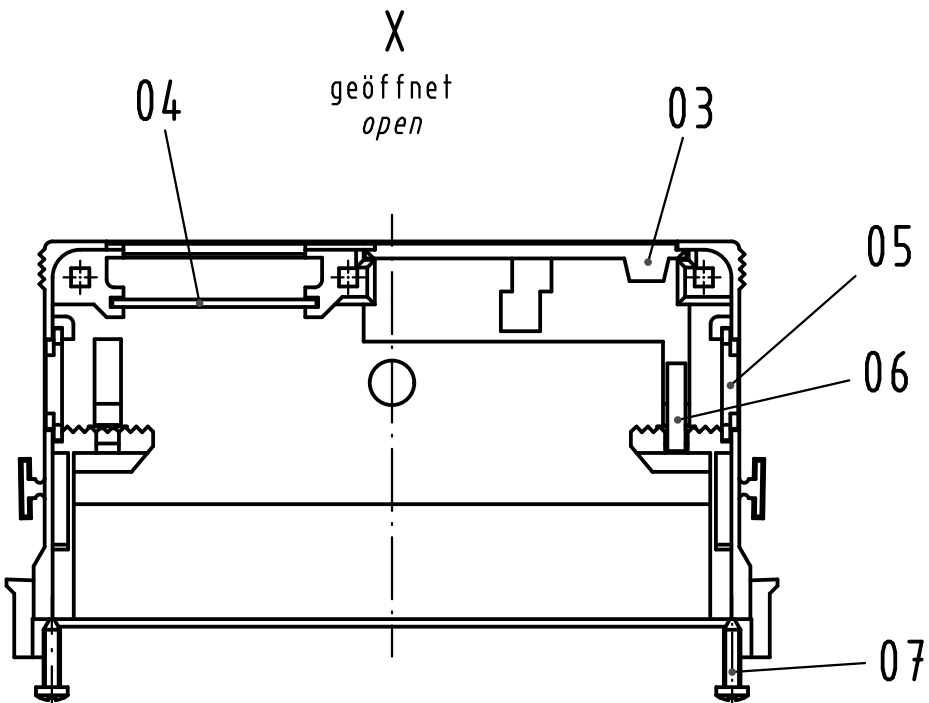
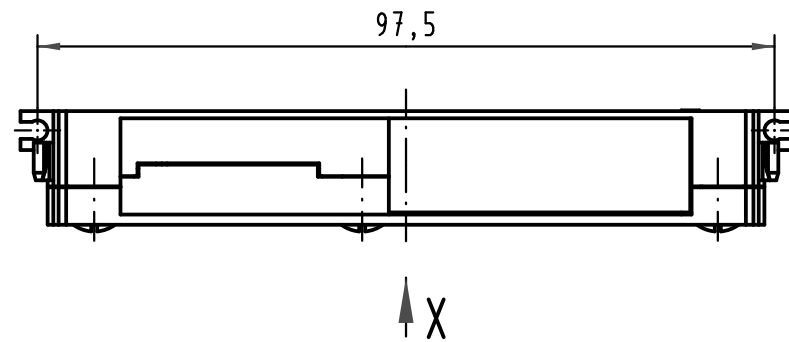
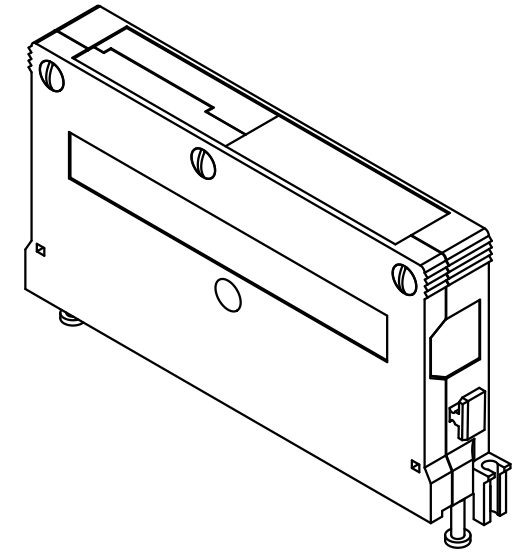
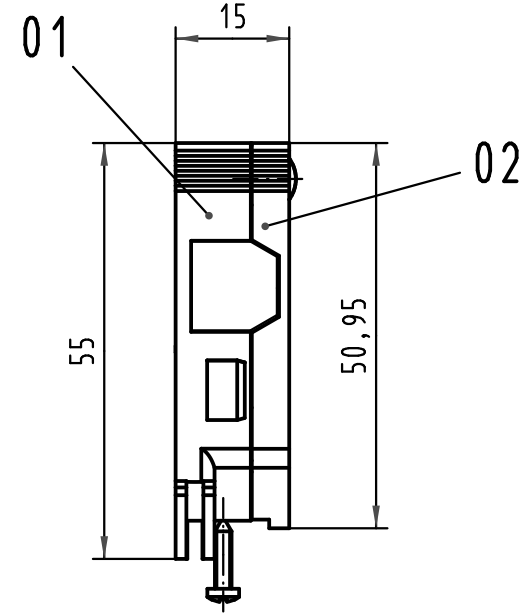
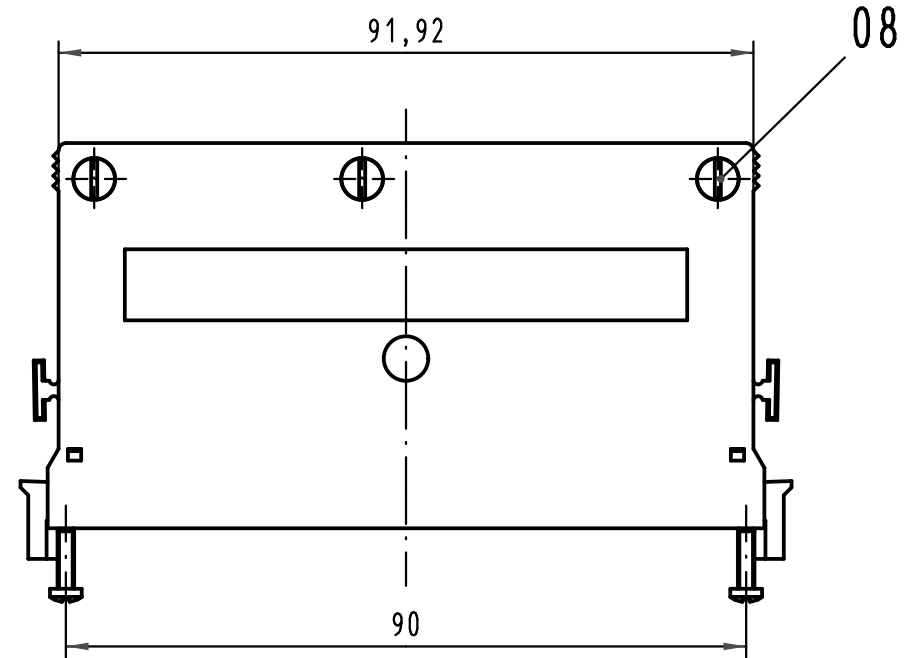
Tel: +86-755-8981 8866 Fax: +86-755-8427 6832

Email & Skype: info@chipsmall.com Web: www.chipsmall.com

Address: A1208, Overseas Decoration Building, #122 Zhenhua RD., Futian, Shenzhen, China



Alle Rechte vorbehalten/ All rights reserved



Inhalt Gehäuse-Set content shell housing-set			Ersatzteile spare parts	
Pos. pos.	Anzahl number	Benennung description	Artikel Nr. part no.	Anzahl number
01	1	Grundschaale shell		
02	1	Deckel cover		
03	1	Verschlussplatte blinding plate		
04	1	Masseblech grounding plate		
05	2	Blindstopfen blinding piece	09 02 000 9905	1
06	1	Kabelbinder cable tie		
07	2	Blechschaube / tapping screw ISO 7049-ST2,2x9,5-F-Z		
08	3	Blechschaube / tapping screw ISO 1483-ST2,9x13-F		

Teile nicht montiert  
parts not assembled

All Dimensions in mm Original Size DIN A 3		Techn. Character.			Nicht tolerierte Maß/Free size tolerances	
		Dat.	Name	Maßstab/Scale	Schalengehäuse C 15mm shell housing C 15mm für Federleisten Typ C+D for female connectors type C+D	
		Detail.	01.02.07 Hage.	1:1		
		Insp.	01.02.07 mte			
		Stand.				
36101	13.10.10	Hage.		HARTING Electronics GmbH & Co. KG		TB 09 03 096 0501
33878				D-32339 ESPELKAMP		
Mod.	Dat.	Name		Sub.		Blatt/ page

