



Chipsmall Limited consists of a professional team with an average of over 10 year of expertise in the distribution of electronic components. Based in Hongkong, we have already established firm and mutual-benefit business relationships with customers from,Europe,America and south Asia,supplying obsolete and hard-to-find components to meet their specific needs.

With the principle of “Quality Parts,Customers Priority,Honest Operation,and Considerate Service”,our business mainly focus on the distribution of electronic components. Line cards we deal with include Microchip,ALPS,ROHM,Xilinx,Pulse,ON,Everlight and Freescale. Main products comprise IC,Modules,Potentiometer,IC Socket,Relay,Connector.Our parts cover such applications as commercial,industrial, and automotives areas.

We are looking forward to setting up business relationship with you and hope to provide you with the best service and solution. Let us make a better world for our industry!



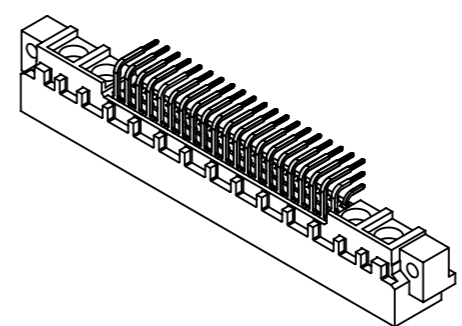
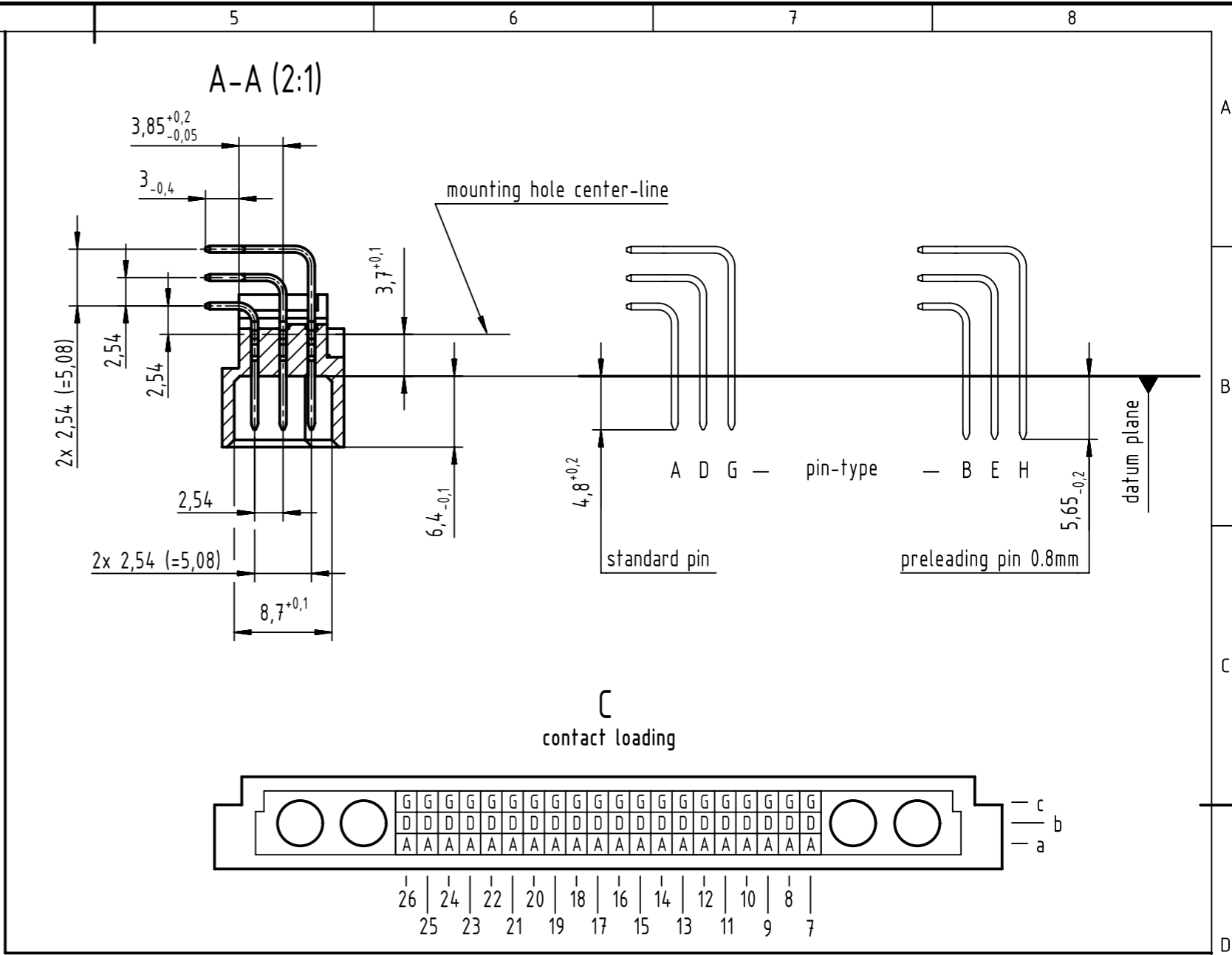
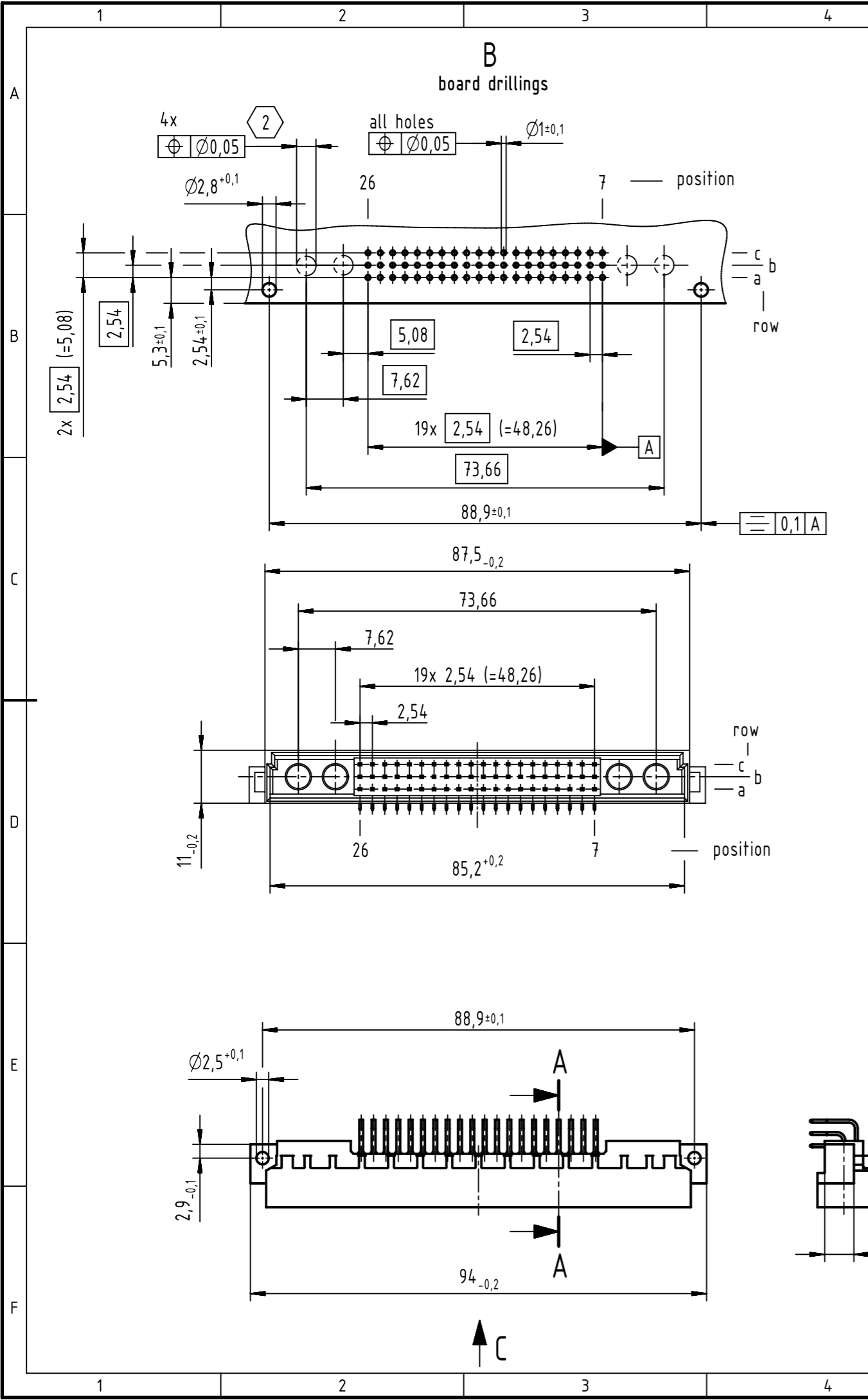
Contact us

Tel: +86-755-8981 8866 Fax: +86-755-8427 6832

Email & Skype: info@chipsmall.com Web: www.chipsmall.com

Address: A1208, Overseas Decoration Building, #122 Zhenhua RD., Futian, Shenzhen, China





- ② hole diameter is to be coordinated with the respective contact
- ① further information see: DS 09031200202

09 03 160 7901	3
09 03 160 6901	2
09 03 160 2901	1
part no.	performance level ①

All rights reserved Department EC PD - DE HARTING Electronics GmbH D-32339 Espelkamp	All Dimensions in mm Original Size DIN A3	Scale 1:1 Free size tol. IEC 60603-2	Ref. Sub. TB 0903160x901 / ECM 500000085785 / 2015-03-03
	Created by STORCK	Inspected by LEHNERT	Standardisation HOFFMANN
Title DIN Signal type M60 male solder 60-pole			State Final Release
Type TB		Number 0903160X901	Doc-Key / ECM-Nr. 100072213/UGD/007/D 500000088228
			Rev. D Page 1/1