



Chipsmall Limited consists of a professional team with an average of over 10 year of expertise in the distribution of electronic components. Based in Hongkong, we have already established firm and mutual-benefit business relationships with customers from,Europe,America and south Asia,supplying obsolete and hard-to-find components to meet their specific needs.

With the principle of “Quality Parts,Customers Priority,Honest Operation,and Considerate Service”,our business mainly focus on the distribution of electronic components. Line cards we deal with include Microchip,ALPS,ROHM,Xilinx,Pulse,ON,Everlight and Freescale. Main products comprise IC,Modules,Potentiometer,IC Socket,Relay,Connector.Our parts cover such applications as commercial,industrial, and automotives areas.

We are looking forward to setting up business relationship with you and hope to provide you with the best service and solution. Let us make a better world for our industry!



Contact us

Tel: +86-755-8981 8866 Fax: +86-755-8427 6832

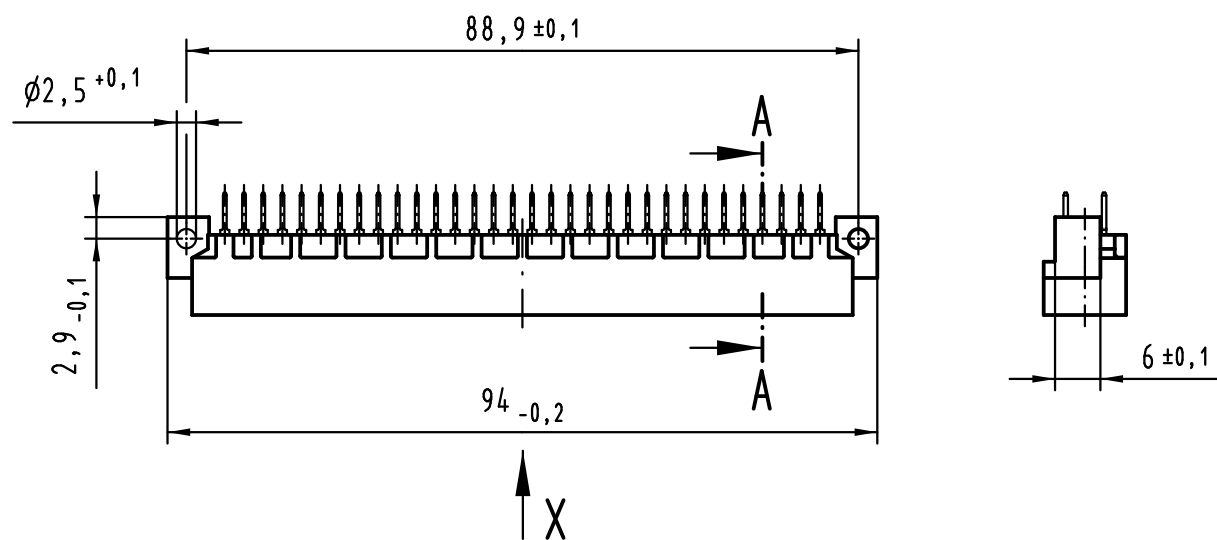
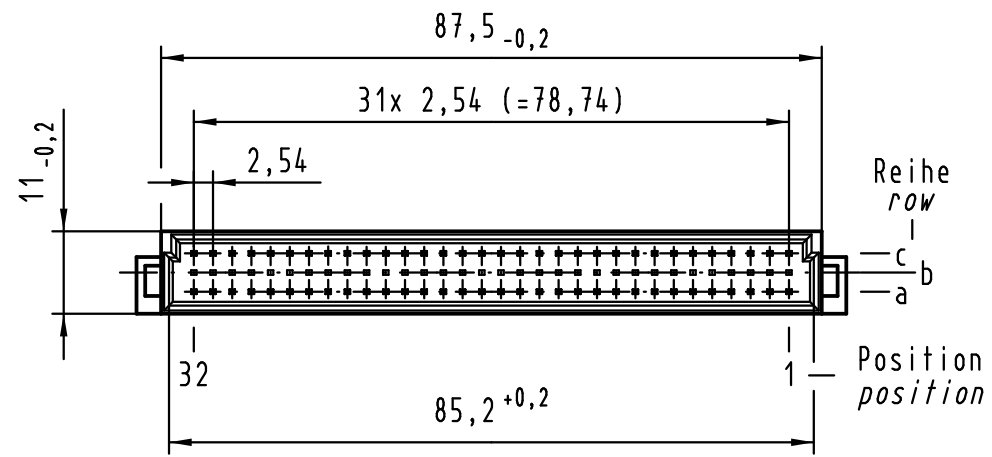
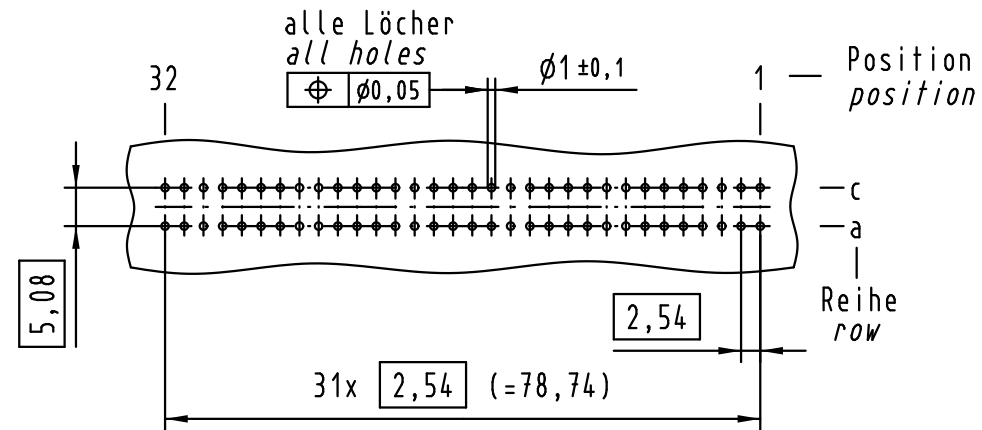
Email & Skype: info@chipsmall.com Web: www.chipsmall.com

Address: A1208, Overseas Decoration Building, #122 Zhenhua RD., Futian, Shenzhen, China

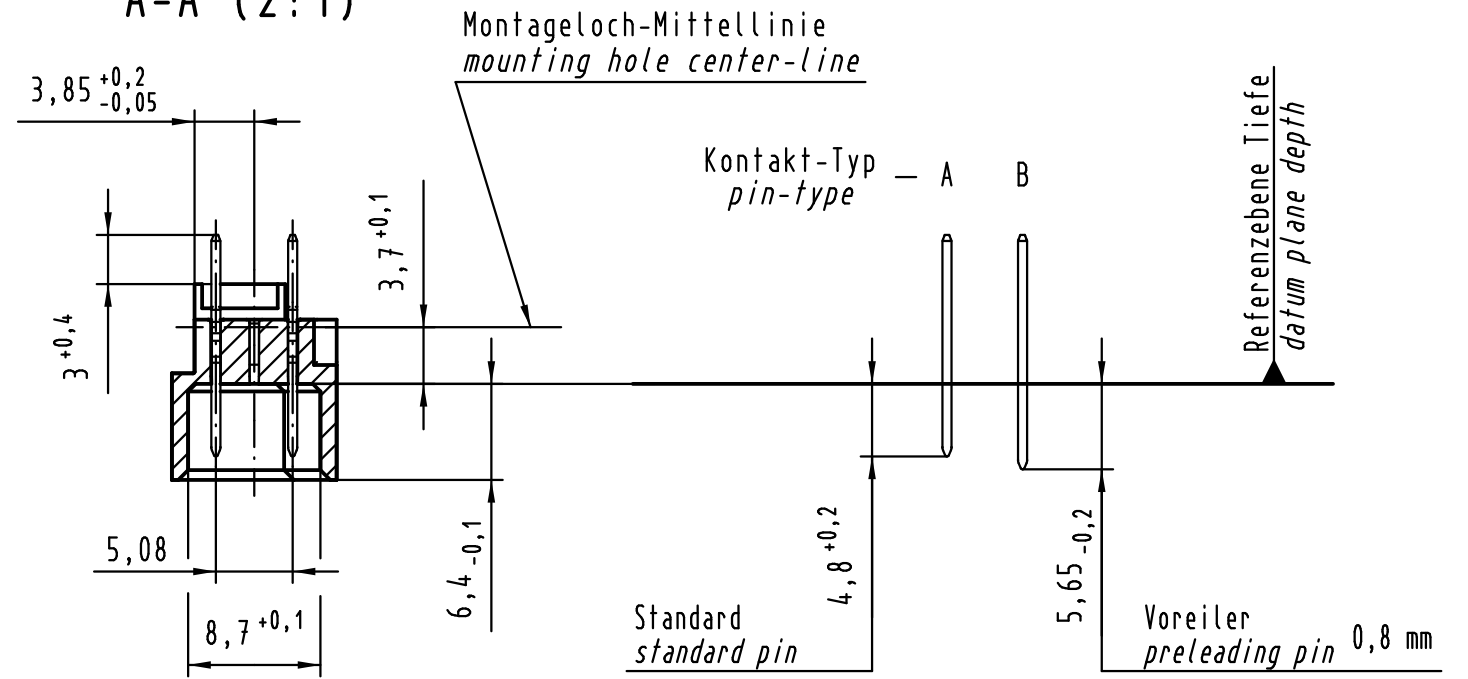


Alle Rechte vorbehalten/ All rights reserved

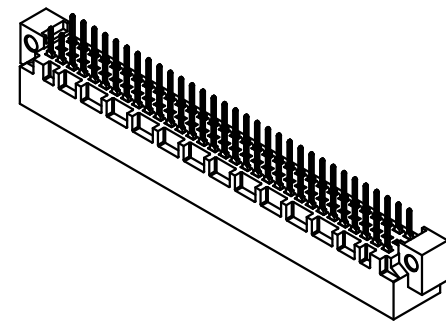
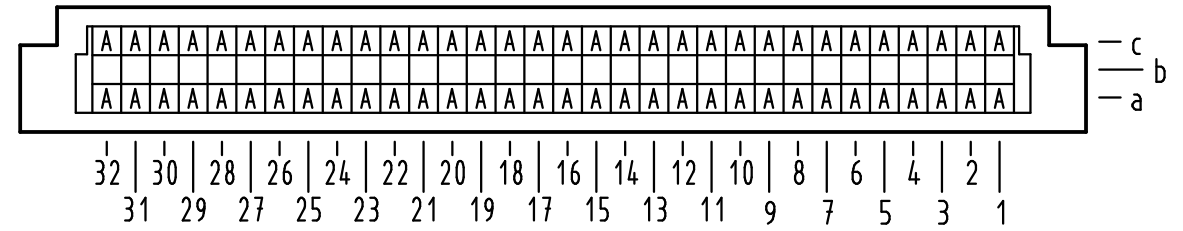
X
Lochbild
board drillings



A-A (2:1)



X
Kontaktbelegung
contact loading



① weitere Informationen siehe: DS 09 03 120 02 01
further information see: DS 09 03 120 02 01

09 03 164 7922	3
09 03 164 6922	2
09 03 164 2922	1
Bestell-Nr. part-no.	Anforderungsstufe performance level ①

All Dimensions in mm Original Size DIN A 3		Techn. Character.		
		Dat.	Name	Maßstab/Scale
		Detail.	03.07.00 Rie.	1:1
		Insp.	03.07.00 Pa.	
		Stand.		
36471	27.01.12 Hage.			
35345	15.10.08 Hage.			
34650	12.10.07 Hage.			
27486				
Mod.	Dat.	Name	HARTING Electronics GmbH & Co. KG D-32339 ESPELKAMP	

Nicht tolerierte Maßel/Free size tolerances IEC 60603-2	
Bauform / type C	
Messerleiste Einlöt 64-polig male connector solder 64-pole	
TB 09 03 164 x922	Blatt/ page
Sub.	