



Chipsmall Limited consists of a professional team with an average of over 10 year of expertise in the distribution of electronic components. Based in Hongkong, we have already established firm and mutual-benefit business relationships with customers from,Europe,America and south Asia,supplying obsolete and hard-to-find components to meet their specific needs.

With the principle of “Quality Parts,Customers Priority,Honest Operation,and Considerate Service”,our business mainly focus on the distribution of electronic components. Line cards we deal with include Microchip,ALPS,ROHM,Xilinx,Pulse,ON,Everlight and Freescale. Main products comprise IC,Modules,Potentiometer,IC Socket,Relay,Connector.Our parts cover such applications as commercial,industrial, and automotives areas.

We are looking forward to setting up business relationship with you and hope to provide you with the best service and solution. Let us make a better world for our industry!



Contact us

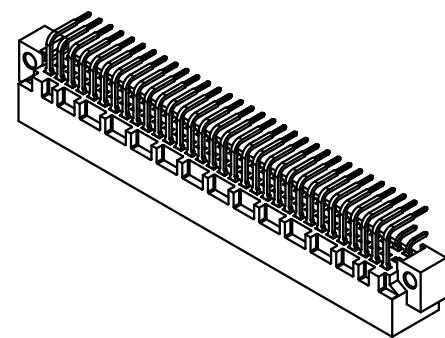
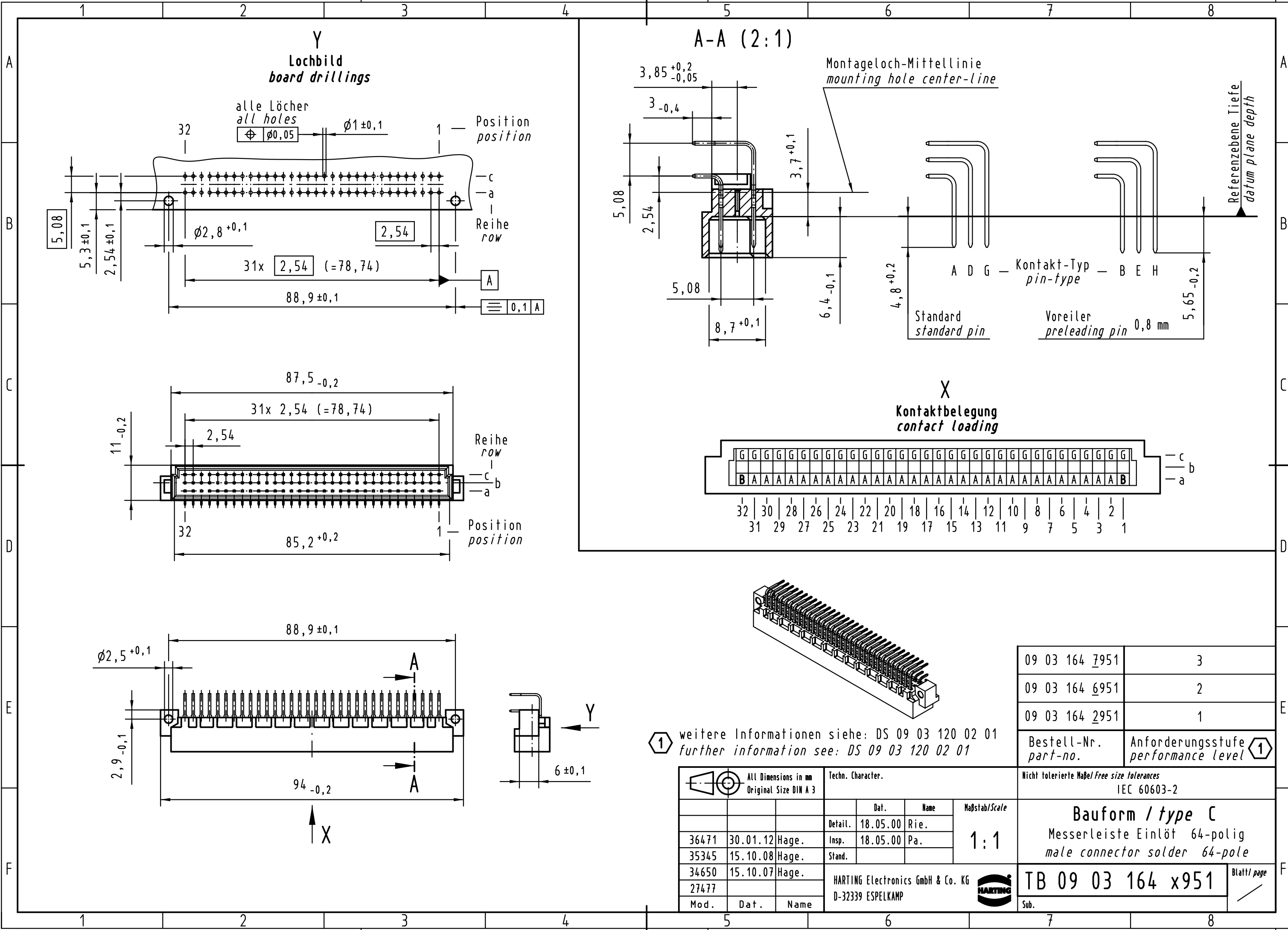
Tel: +86-755-8981 8866 Fax: +86-755-8427 6832

Email & Skype: info@chipsmall.com Web: www.chipsmall.com

Address: A1208, Overseas Decoration Building, #122 Zhenhua RD., Futian, Shenzhen, China



Alle Rechte vorbehalten/ All rights reserved



① weitere Informationen siehe: DS 09 03 120 02 01
further information see: DS 09 03 120 02 01

09 03 164 7951	3
09 03 164 6951	2
09 03 164 2951	1
Bestell-Nr. part-no.	Anforderungsstufe performance level ①

All Dimensions in mm Original Size DIN A 3		Techn. Character.			Nicht tolerierte Maß/Free size tolerances IEC 60603-2	
		Dat.	Name	Maßstab/Scale	Bauform / type C Messerleiste Einlöt 64-polig male connector solder 64-pole	
		Detail.	18.05.00 Rie.	1:1		
36471	30.01.12 Hage.	Insp.	18.05.00 Pa.			
35345	15.10.08 Hage.	Stand.				
34650	15.10.07 Hage.	HARTING Electronics GmbH & Co. KG			TB 09 03 164 x951	
27477		D-32339 ESPELKAMP				
Mod.	Dat.	Name			Sub.	Blatt/ page