



Chipsmall Limited consists of a professional team with an average of over 10 year of expertise in the distribution of electronic components. Based in Hongkong, we have already established firm and mutual-benefit business relationships with customers from,Europe,America and south Asia,supplying obsolete and hard-to-find components to meet their specific needs.

With the principle of “Quality Parts,Customers Priority,Honest Operation,and Considerate Service”,our business mainly focus on the distribution of electronic components. Line cards we deal with include Microchip,ALPS,ROHM,Xilinx,Pulse,ON,Everlight and Freescale. Main products comprise IC,Modules,Potentiometer,IC Socket,Relay,Connector.Our parts cover such applications as commercial,industrial, and automotives areas.

We are looking forward to setting up business relationship with you and hope to provide you with the best service and solution. Let us make a better world for our industry!



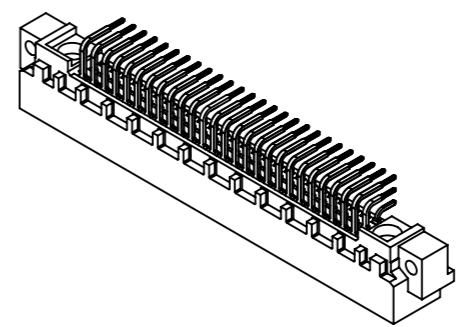
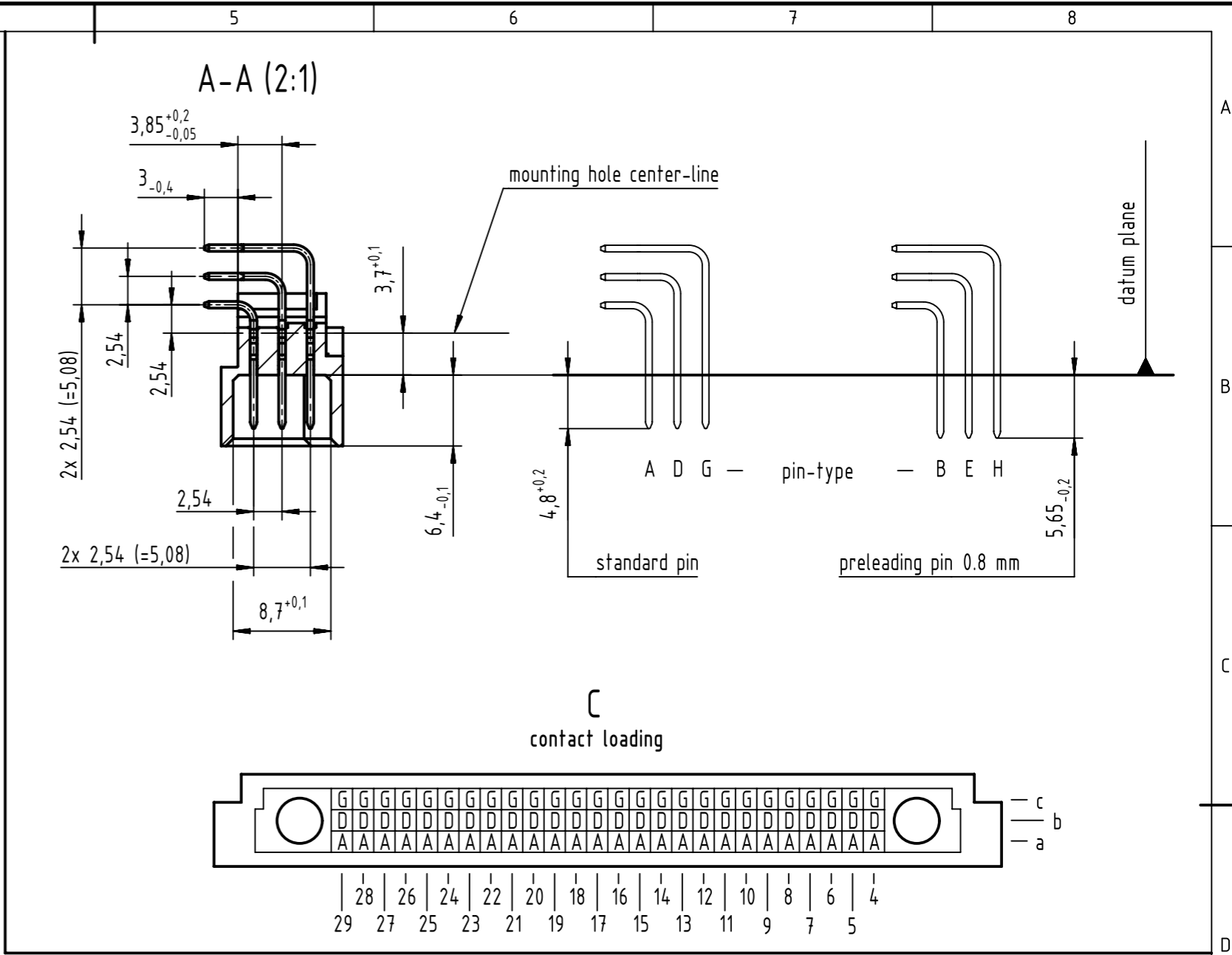
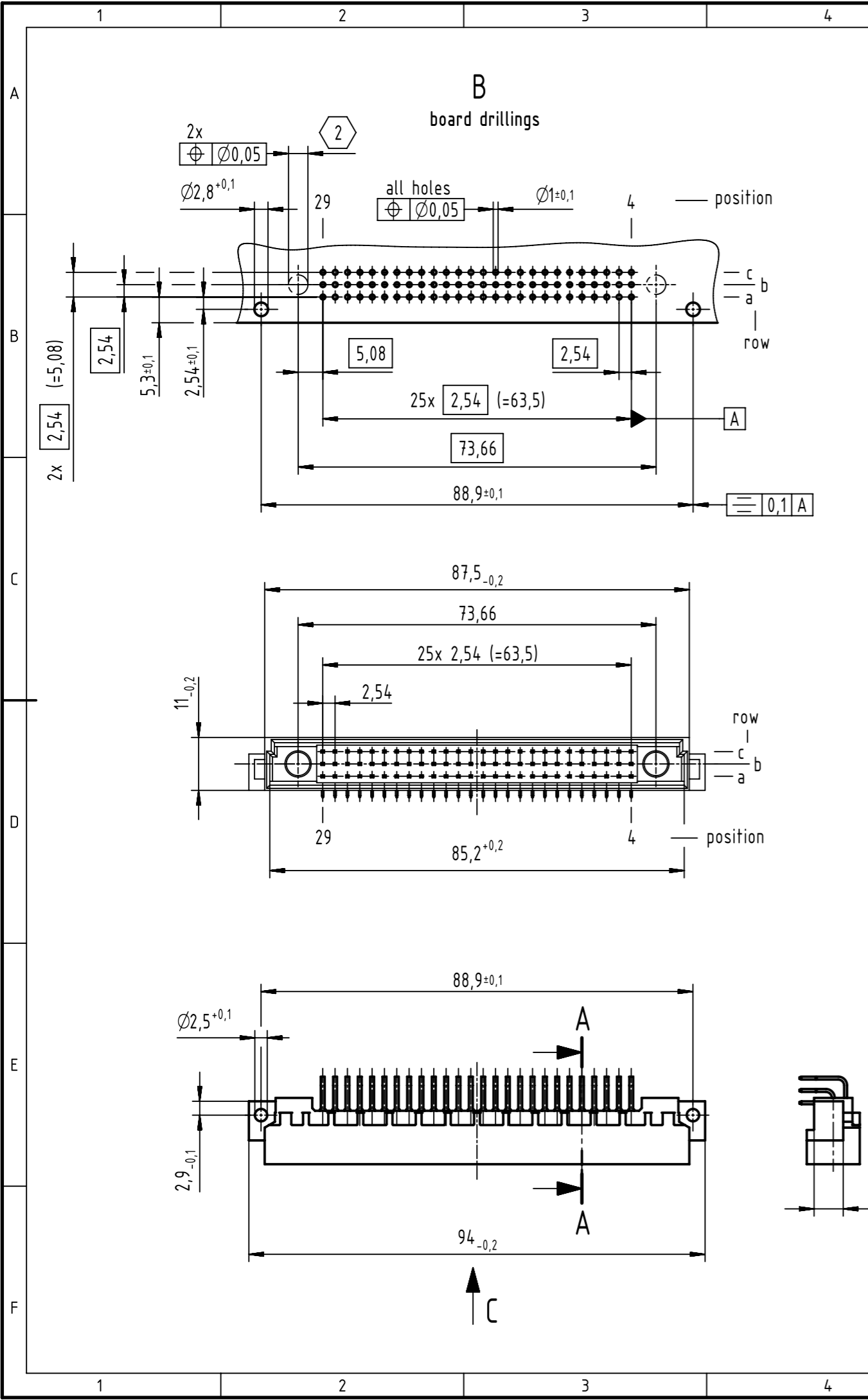
Contact us

Tel: +86-755-8981 8866 Fax: +86-755-8427 6832

Email & Skype: info@chipsmall.com Web: www.chipsmall.com

Address: A1208, Overseas Decoration Building, #122 Zhenhua RD., Futian, Shenzhen, China





2 hole diameter is to be coordinated with the respective contact

1 further information see: DS 09031200202

09 03 178 7901	3
09 03 178 6901	2
09 03 178 2901	1
part no.	performance level 1

		Scale 1:1	Free size tol. IEC 60603-2	Ref. Sub. TB 09 03 178 x901 / Mod. 36475 / 02.02.2012	
		Created by STORCK	Inspected by LEHNERT	Standardisation HOFFMANN	Date 2015-05-04
All rights reserved Department EC PD - DE		Title DIN Signal type M78+2 male solder 78-pole			State Final Release
HARTING Electronics GmbH D-32339 Espelkamp		Type TB	Number 0903178X901	Doc-Key / ECM-Nr. 100072209/UGD/008/B 50000088228	
				Rev. B	Page 1/1