



Chipsmall Limited consists of a professional team with an average of over 10 year of expertise in the distribution of electronic components. Based in Hongkong, we have already established firm and mutual-benefit business relationships with customers from,Europe,America and south Asia,supplying obsolete and hard-to-find components to meet their specific needs.

With the principle of “Quality Parts,Customers Priority,Honest Operation,and Considerate Service”,our business mainly focus on the distribution of electronic components. Line cards we deal with include Microchip,ALPS,ROHM,Xilinx,Pulse,ON,Everlight and Freescale. Main products comprise IC,Modules,Potentiometer,IC Socket,Relay,Connector.Our parts cover such applications as commercial,industrial, and automotives areas.

We are looking forward to setting up business relationship with you and hope to provide you with the best service and solution. Let us make a better world for our industry!



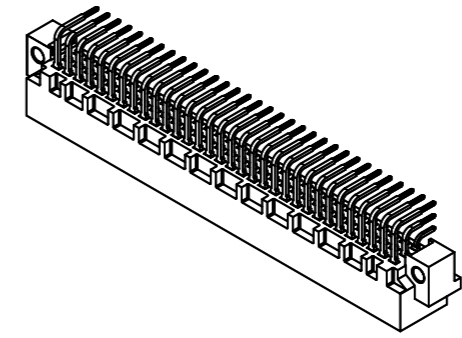
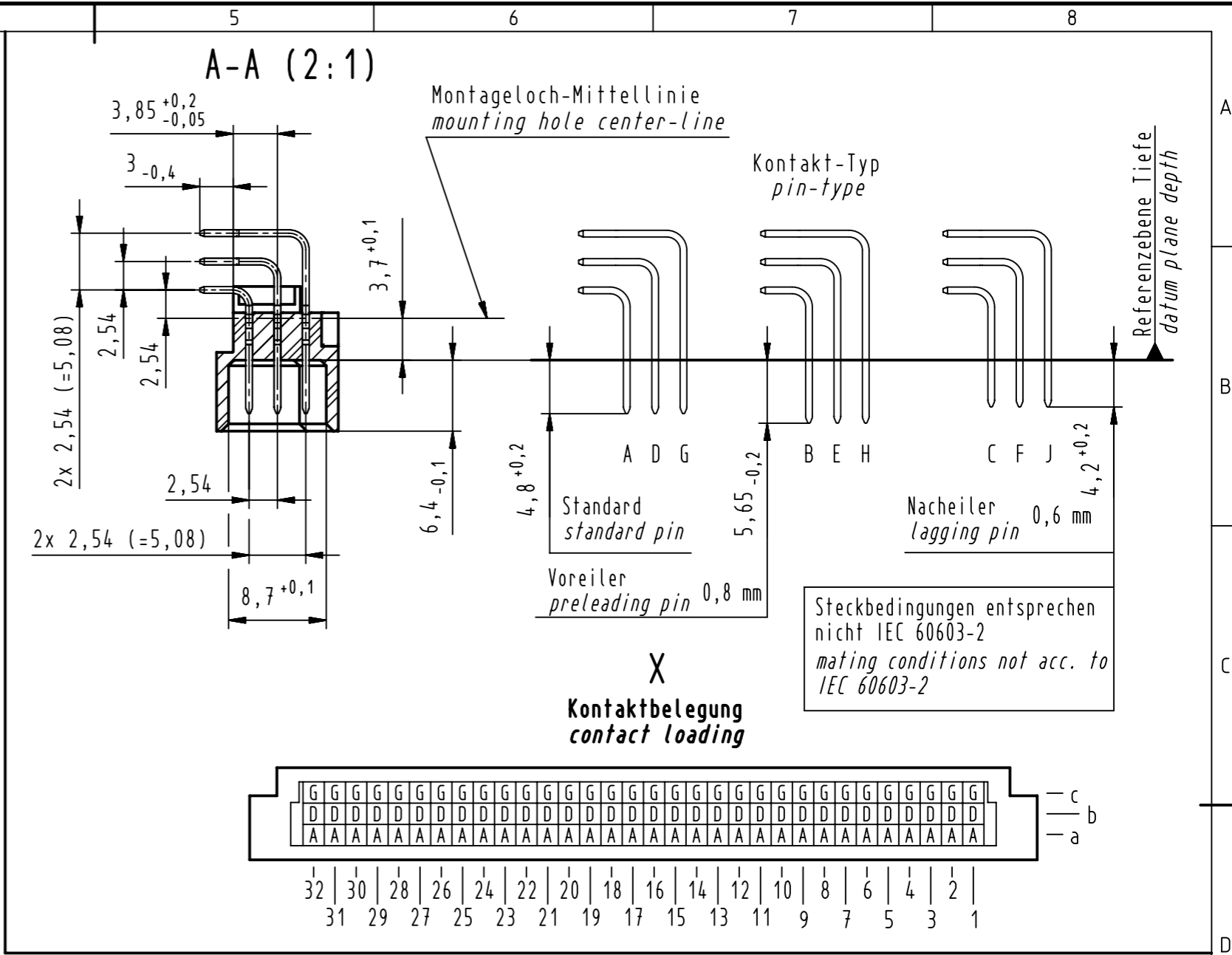
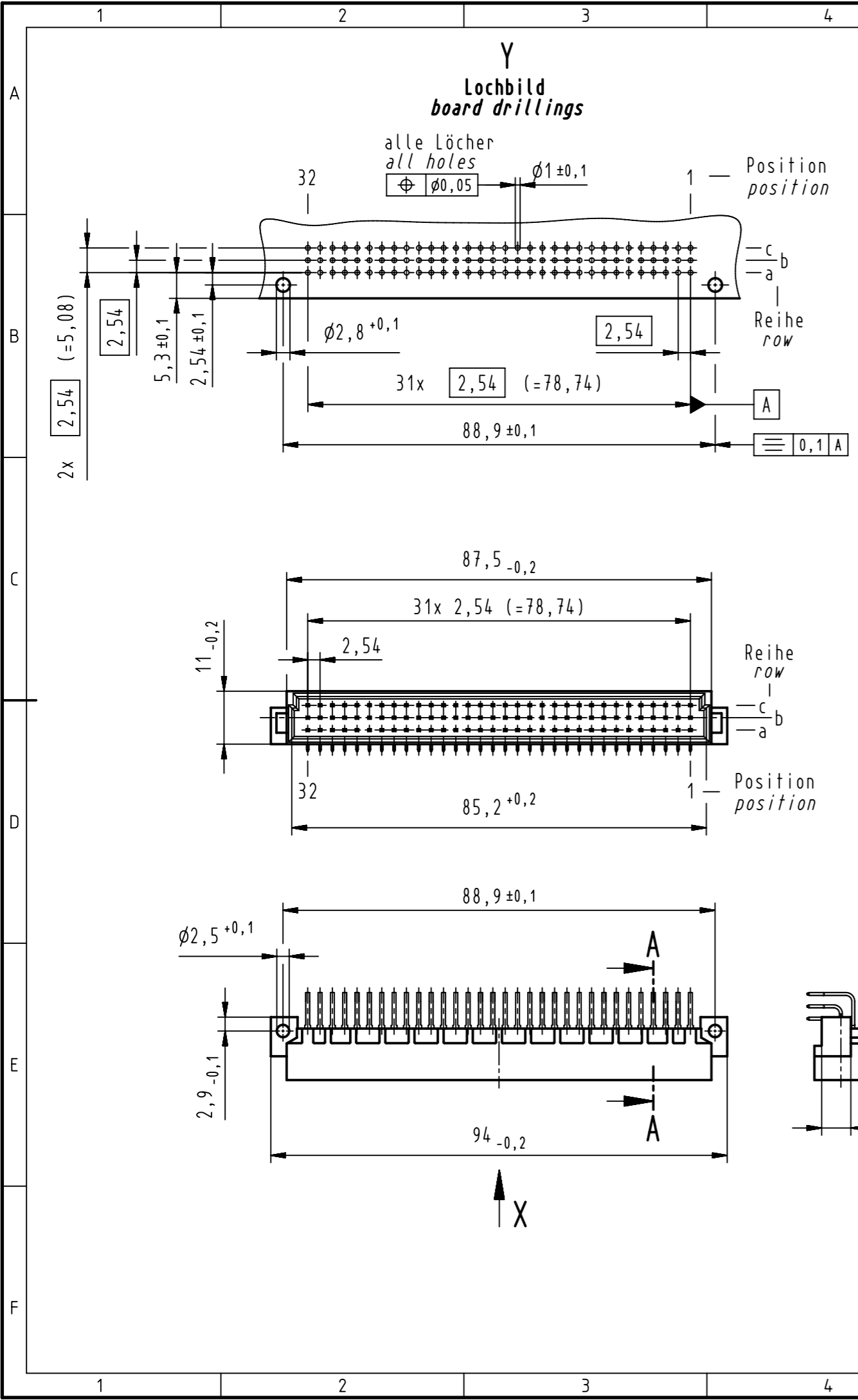
Contact us

Tel: +86-755-8981 8866 Fax: +86-755-8427 6832

Email & Skype: info@chipsmall.com Web: www.chipsmall.com

Address: A1208, Overseas Decoration Building, #122 Zhenhua RD., Futian, Shenzhen, China





09 03 196 7921	3
09 03 196 6921	2
09 03 196 2921	1
Bestell-Nr. part-no.	Anforderungsstufe performance level

① weitere Informationen siehe: DS 09 03 120 02 03
further information see: DS 09 03 120 02 03

	All Dimensions in mm Original Size DIN A3	Scale 1:1	Free size tol. IEC 60603-2	Ref. Sub. 0903196X921 v. 08.02.12 Mod. 36471
	All rights reserved Department EC PD - DE	Created by HAGEMEYERE	Inspected by ELLERMANN	Standardisation HOFFMANN
HARTING Electronics GmbH D-32339 Espelkamp		Title DIN Signal type C male solder 96-pole	Date 2012-11-30	State Final Release
Type TB	Number 0903196X921	Doc-Key / ECH-Nr. 100072506/UGD/318/B 50000057253	Rev. B	Page 1/1