



Chipsmall Limited consists of a professional team with an average of over 10 year of expertise in the distribution of electronic components. Based in Hongkong, we have already established firm and mutual-benefit business relationships with customers from,Europe,America and south Asia,supplying obsolete and hard-to-find components to meet their specific needs.

With the principle of "Quality Parts,Customers Priority,Honest Operation,and Considerate Service",our business mainly focus on the distribution of electronic components. Line cards we deal with include Microchip,ALPS,ROHM,Xilinx,Pulse,ON,Everlight and Freescale. Main products comprise IC,Modules,Potentiometer,IC Socket,Relay,Connector.Our parts cover such applications as commercial,industrial, and automotives areas.

We are looking forward to setting up business relationship with you and hope to provide you with the best service and solution. Let us make a better world for our industry!



Contact us

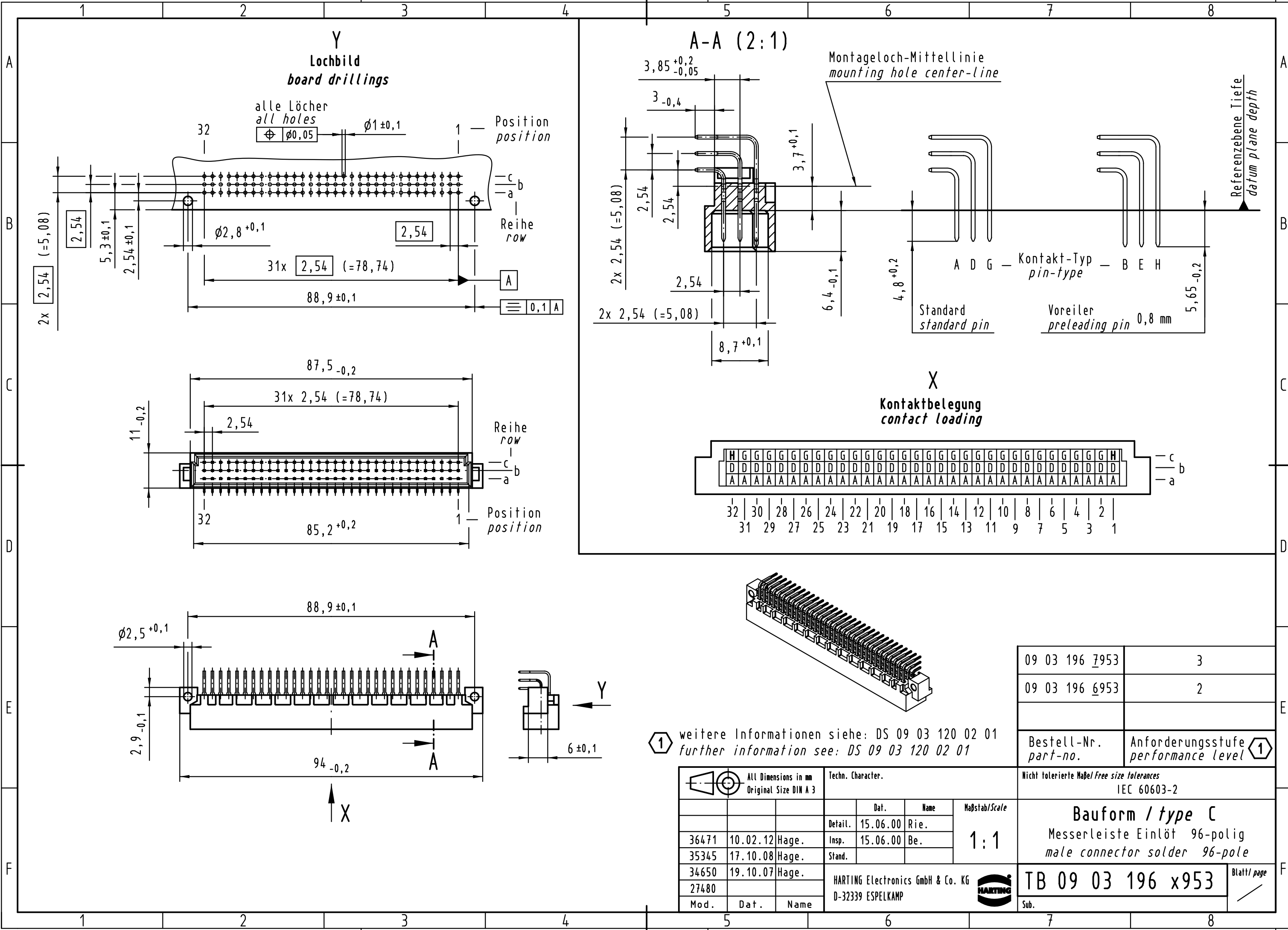
Tel: +86-755-8981 8866 Fax: +86-755-8427 6832

Email & Skype: info@chipsmall.com Web: www.chipsmall.com

Address: A1208, Overseas Decoration Building, #122 Zhenhua RD., Futian, Shenzhen, China



Alle Rechte vorbehalten/ All rights reserved



Y
Lochbild
board drillings

A-A (2:1)

X
Kontaktbelegung
contact loading

alle Löcher
all holes
 $\phi 0,05$ $\phi 1 \pm 0,1$

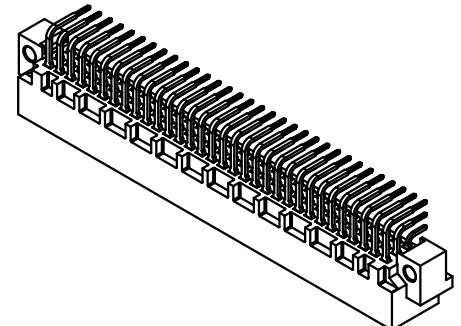
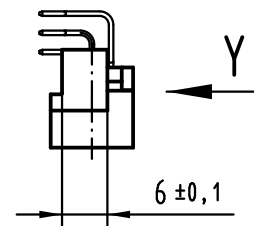
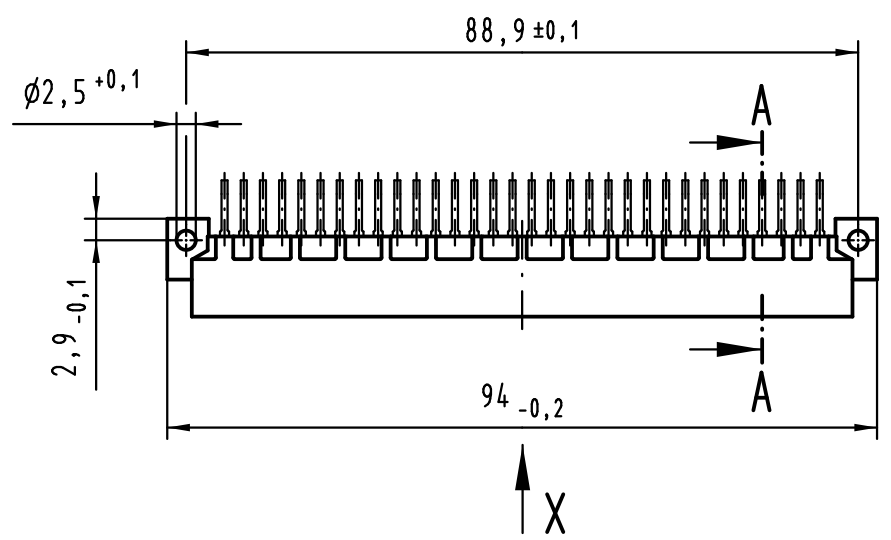
Montageloch-Mittellinie
mounting hole center-line

Referenzebene Tiefe
datum plane depth

A D G — Kontakt-Typ — B E H
pin-type

Standard
standard pin

Voreiler
preleading pin 0,8 mm



① weitere Informationen siehe: DS 09 03 120 02 01
further information see: DS 09 03 120 02 01

09 03 196 7953	3
09 03 196 6953	2
Bestell-Nr. part-no.	Anforderungsstufe performance level ①

All Dimensions in mm Original Size DIN A 3		Techn. Character.		
		Dat.	Name	Maßstab/Scale
		Detail.	15.06.00 Rie.	1:1
		Insp.	15.06.00 Be.	
		Stand.		
36471	10.02.12 Hage.			
35345	17.10.08 Hage.			
34650	19.10.07 Hage.			
27480				
Mod.	Dat.	Name	HARTING Electronics GmbH & Co. KG D-32339 ESPELKAMP	

Nicht tolerierte Maßel Free size tolerances IEC 60603-2	
Bauform / type C	
Messerleiste Einlöt 96-polig male connector solder 96-pole	
TB 09 03 196 x953	Blatt/ page
Sub.	