



Chipsmall Limited consists of a professional team with an average of over 10 year of expertise in the distribution of electronic components. Based in Hongkong, we have already established firm and mutual-benefit business relationships with customers from,Europe,America and south Asia,supplying obsolete and hard-to-find components to meet their specific needs.

With the principle of "Quality Parts,Customers Priority,Honest Operation,and Considerate Service",our business mainly focus on the distribution of electronic components. Line cards we deal with include Microchip,ALPS,ROHM,Xilinx,Pulse,ON,Everlight and Freescale. Main products comprise IC,Modules,Potentiometer,IC Socket,Relay,Connector.Our parts cover such applications as commercial,industrial, and automotives areas.

We are looking forward to setting up business relationship with you and hope to provide you with the best service and solution. Let us make a better world for our industry!



Contact us

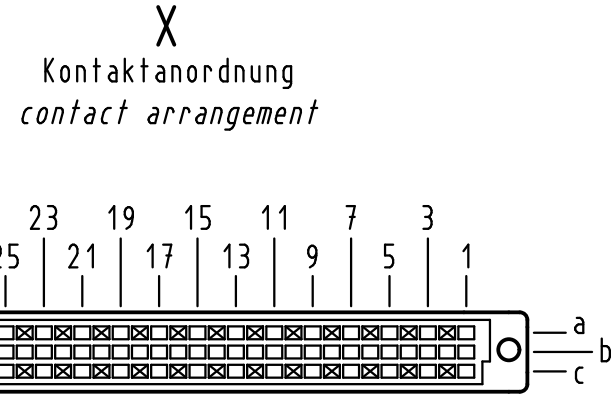
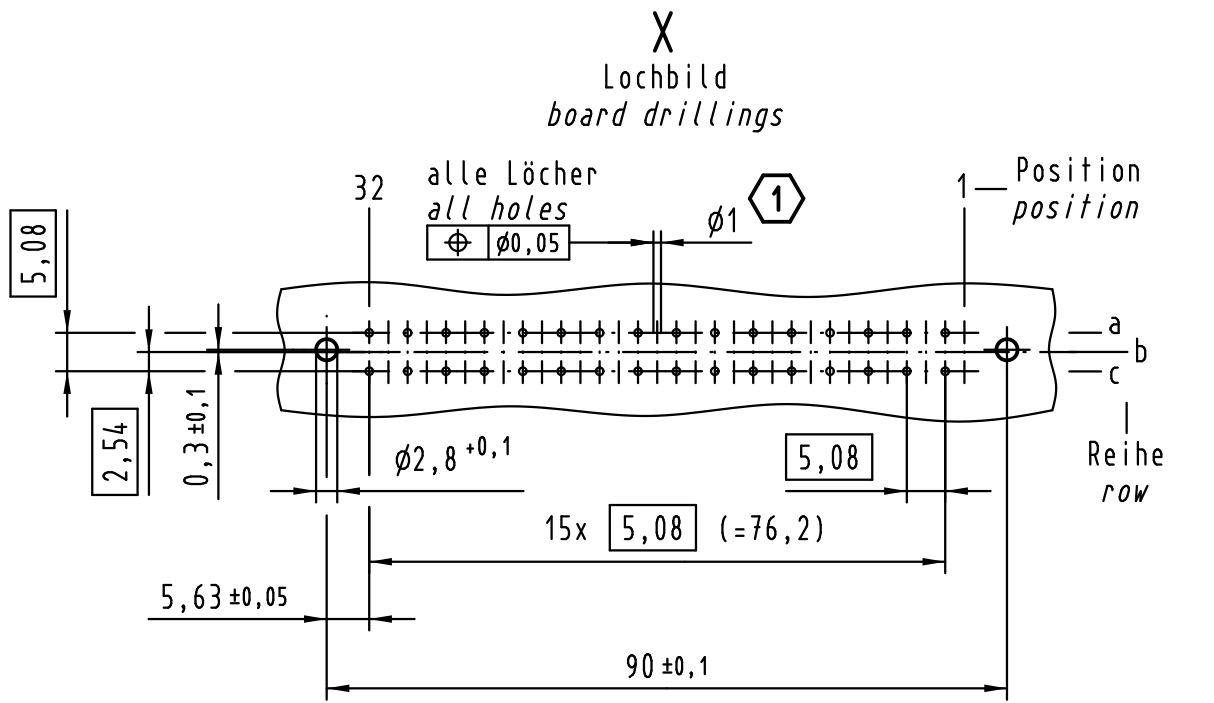
Tel: +86-755-8981 8866 Fax: +86-755-8427 6832

Email & Skype: info@chipsmall.com Web: www.chipsmall.com

Address: A1208, Overseas Decoration Building, #122 Zhenhua RD., Futian, Shenzhen, China



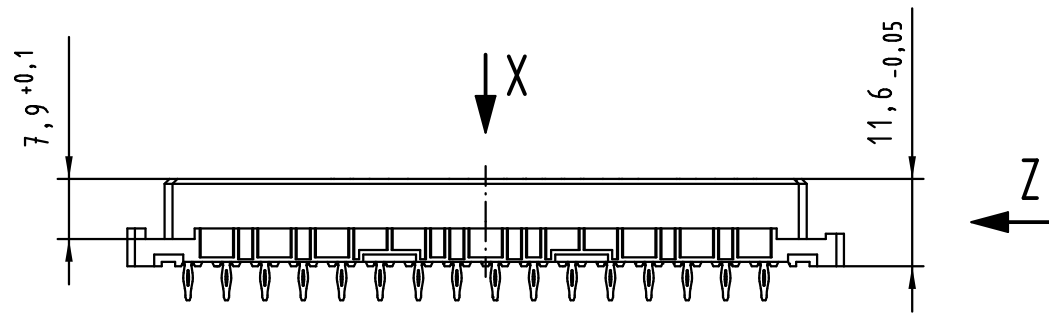
Alle Rechte vorbehalten/ All rights reserved



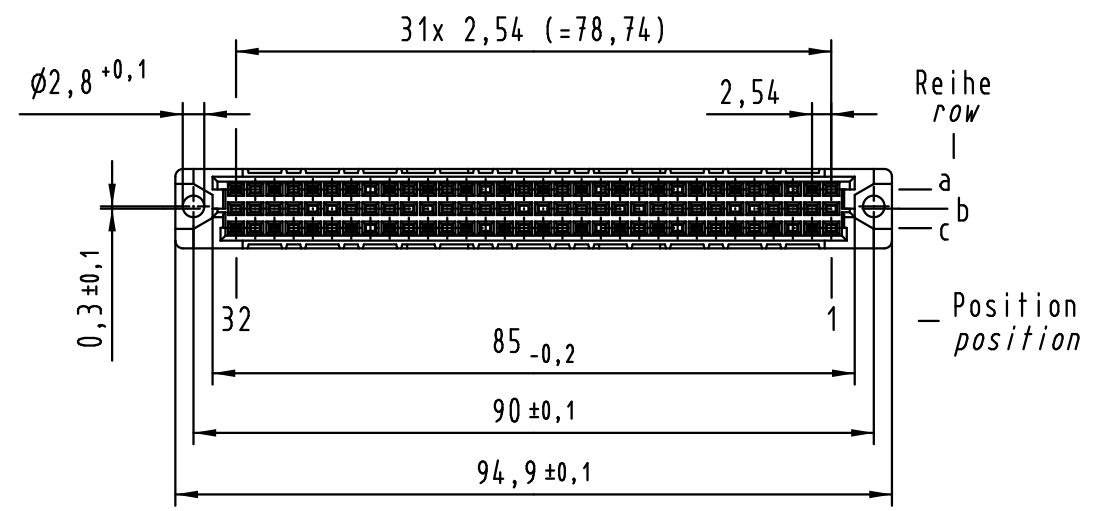
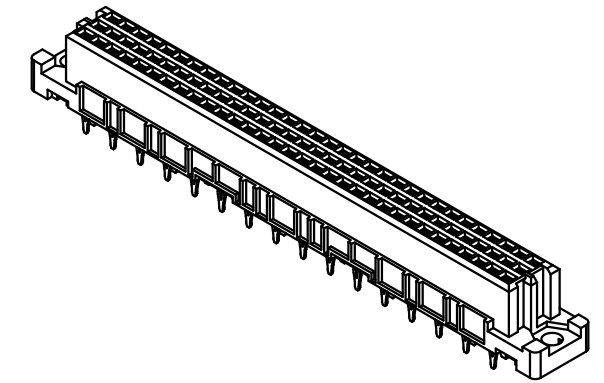
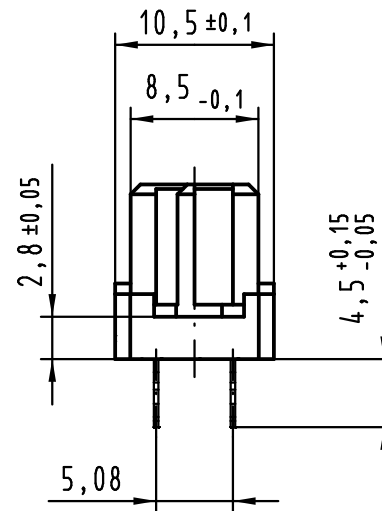
32 Einpress Kontakte
32 press-in contacts

☒ = Einpress Kontakt
= press-in contact

☐ = Kontaktposition nicht belegt
= position without contact



Z (2:1)



1 Empfohlener Lochaufbau und weitere Informationen siehe: DS 09 03 210 00 01
recommended configuration of plated through holes and further information see: DS 09 03 210 00 01

09 03 232 6850	2
09 03 232 2850	1
Bestell-Nr. part-no.	Anforderungsstufe performance level 1

All Dimensions in mm Original Size DIN A 3			Techn. Character.			
36513	03.05.12	Hage.		Dat.	Name	Maßstab/Scale 1:1
36400	27.06.11	Hage.	Detail.	02.09.99	Rie.	
34650	13.08.07	Cla	Insp.	02.09.99	Pa.	
34158	17.01.07	LehT	Stand.			
30814	18.02.02	Rie.	HARTING Electronics GmbH & Co. KG D-32339 ESPELKAMP			
26919	12.11.99	Rie.				
Mod.	Dat.	Name				

Nicht tolerierte Maße/Free size tolerances
IEC 60603-2

Bauform / type C

Federleiste Einpress 4,5 32-polig
female connector press-in 4.5 32-pole

TB 09 03 232 x850

Sub. Blatt/page