



Chipsmall Limited consists of a professional team with an average of over 10 year of expertise in the distribution of electronic components. Based in Hongkong, we have already established firm and mutual-benefit business relationships with customers from,Europe,America and south Asia,supplying obsolete and hard-to-find components to meet their specific needs.

With the principle of “Quality Parts,Customers Priority,Honest Operation,and Considerate Service”,our business mainly focus on the distribution of electronic components. Line cards we deal with include Microchip,ALPS,ROHM,Xilinx,Pulse,ON,Everlight and Freescale. Main products comprise IC,Modules,Potentiometer,IC Socket,Relay,Connector.Our parts cover such applications as commercial,industrial, and automotives areas.

We are looking forward to setting up business relationship with you and hope to provide you with the best service and solution. Let us make a better world for our industry!



Contact us

Tel: +86-755-8981 8866 Fax: +86-755-8427 6832

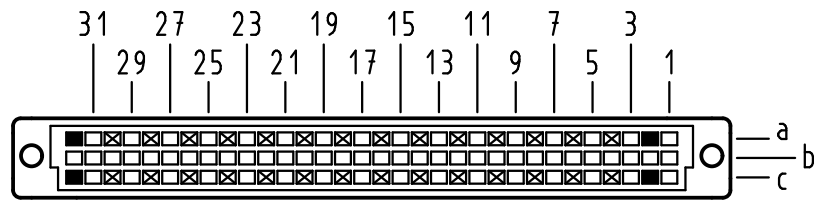
Email & Skype: info@chipsmall.com Web: www.chipsmall.com

Address: A1208, Overseas Decoration Building, #122 Zhenhua RD., Futian, Shenzhen, China



Alle Rechte vorbehalten/ All rights reserved

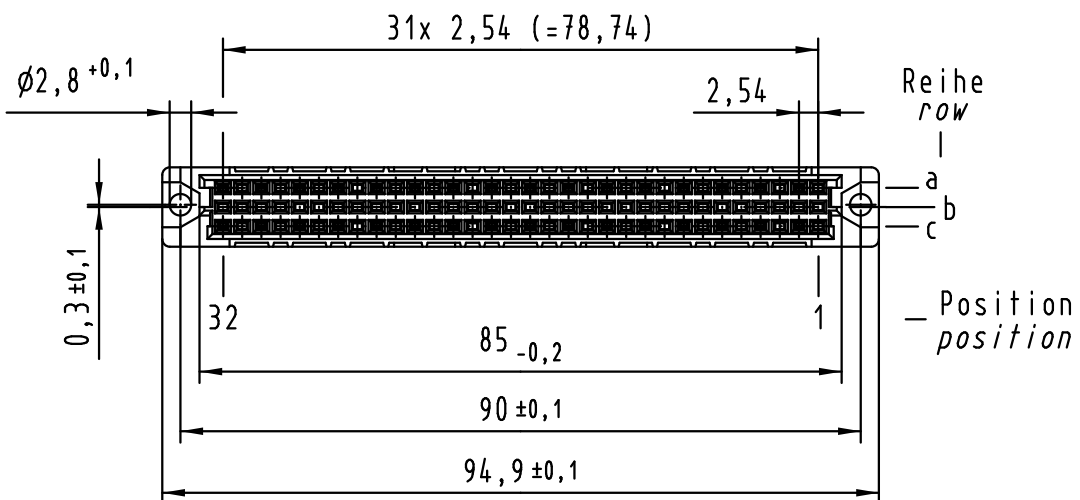
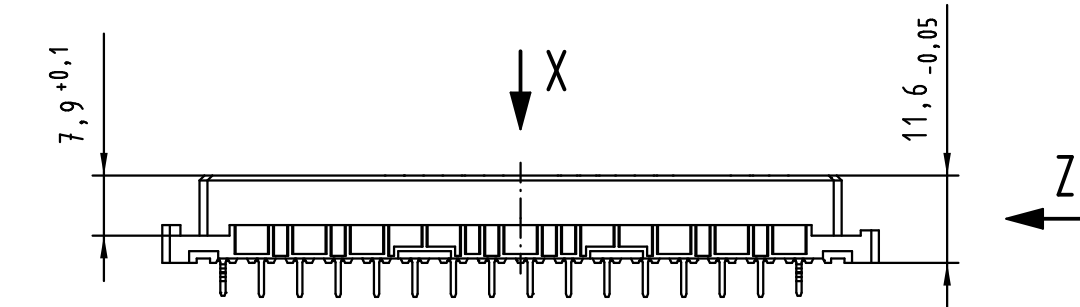
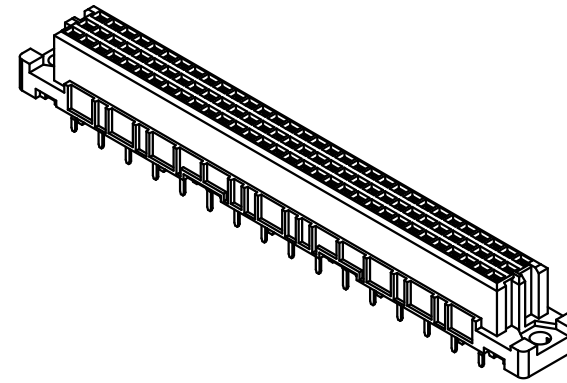
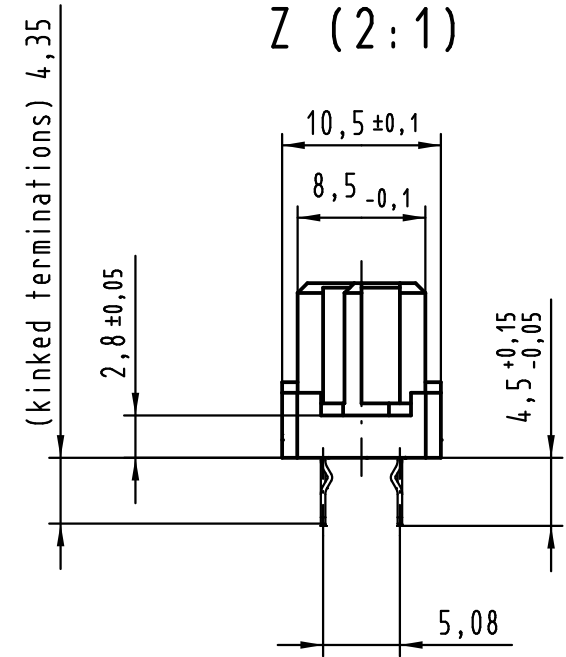
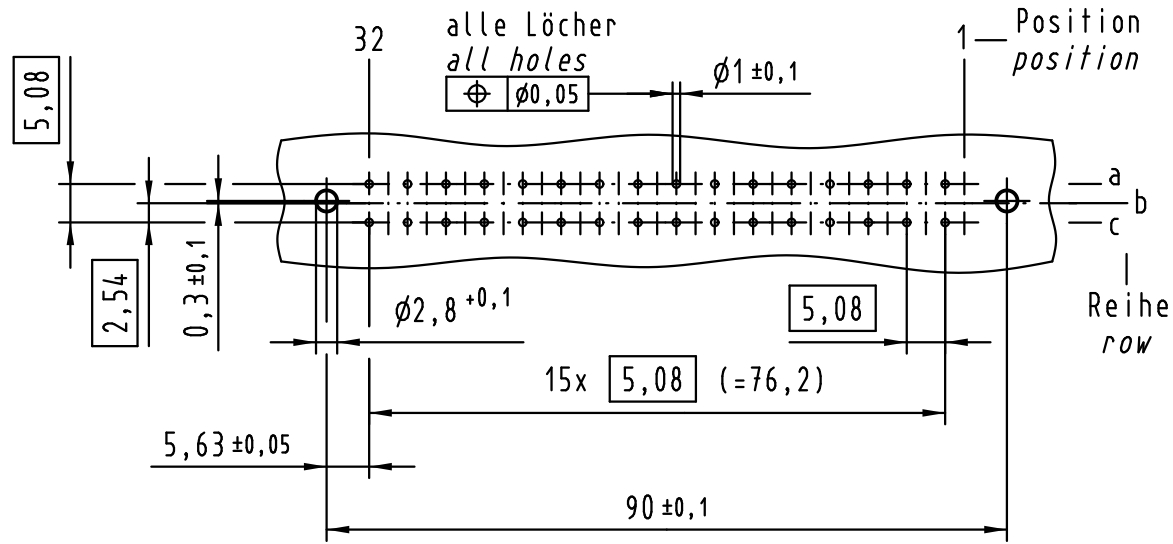
X
Kontaktanordnung
ccntact arrangement



28 Einlöt Kontakte
4 kinked Einlöt Kontakte
28 solder contacts
4 kinked solder contacts

- ☒ = Einlöt Kontakt
= solder contact
- = kinked Einlöt Kontakt
= kinked solder contact
- = Kontaktposition nicht belegt
= position without contact

X
Lochbild
board drillings



① weitere Informationen siehe: DS 09 03 210 00 01
further information see: DS 09 03 210 00 01

09 03 232 7845	3
09 03 232 6845	2
09 03 232 2845	1
Bestell-Nr. part-no.	Anforderungsstufe performance level ①

All Dimensions in mm Original Size DIN A 3			Techn. Character.			Nicht tolerierte Maße/Free size tolerances IEC 60603-2	
36400	24.06.11	Hage.		Dat.	Name	1:1	har-bus C Federleiste kinked Einlöt 4,5 , 32 pol. har-bus C female connector kinked solder 4,5 , 32 pol.
34650	13.08.07	Cla	Detail.	01.09.99	Rie.		
34158	17.01.07	LehT	Insp.	01.09.99	Pa.		
30814	15.02.02	Rie.	Stand.				
26919	12.11.99	Rie.	HARTING Electronics GmbH & Co. KG			HARTING	TB 09 03 232 x845
26082			D-32339 ESPELKAMP				
Mod.	Dat.	Name					Blatt/ page