



Chipsmall Limited consists of a professional team with an average of over 10 year of expertise in the distribution of electronic components. Based in Hongkong, we have already established firm and mutual-benefit business relationships with customers from,Europe,America and south Asia,supplying obsolete and hard-to-find components to meet their specific needs.

With the principle of “Quality Parts,Customers Priority,Honest Operation,and Considerate Service”,our business mainly focus on the distribution of electronic components. Line cards we deal with include Microchip,ALPS,ROHM,Xilinx,Pulse,ON,Everlight and Freescale. Main products comprise IC,Modules,Potentiometer,IC Socket,Relay,Connector.Our parts cover such applications as commercial,industrial, and automotives areas.

We are looking forward to setting up business relationship with you and hope to provide you with the best service and solution. Let us make a better world for our industry!



Contact us

Tel: +86-755-8981 8866 Fax: +86-755-8427 6832

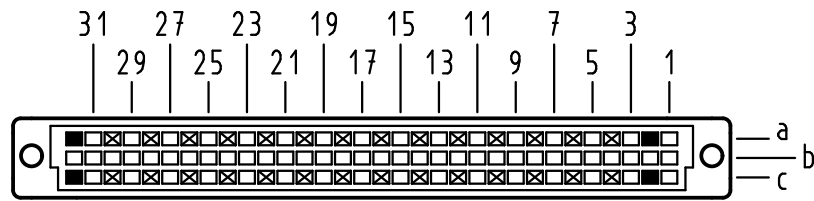
Email & Skype: info@chipsmall.com Web: www.chipsmall.com

Address: A1208, Overseas Decoration Building, #122 Zhenhua RD., Futian, Shenzhen, China



Alle Rechte vorbehalten/ All rights reserved

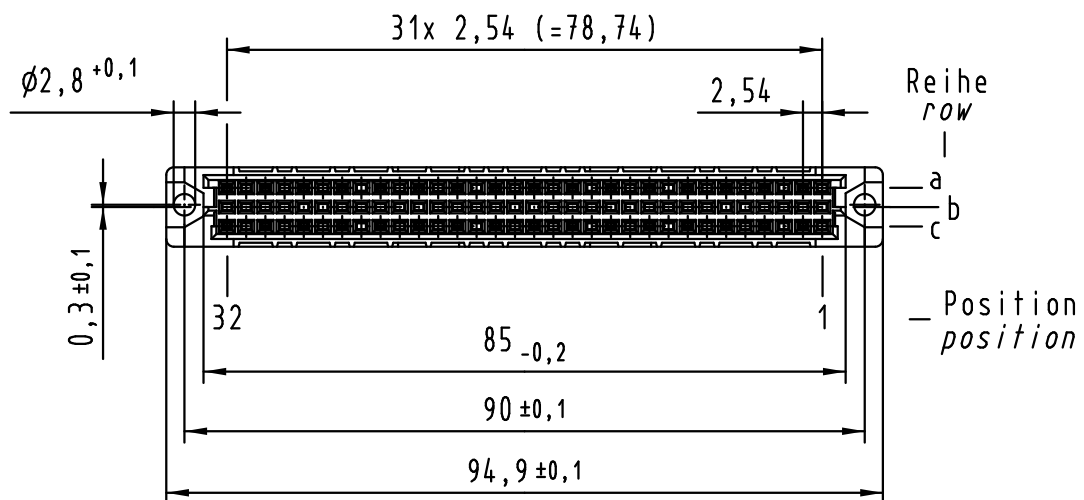
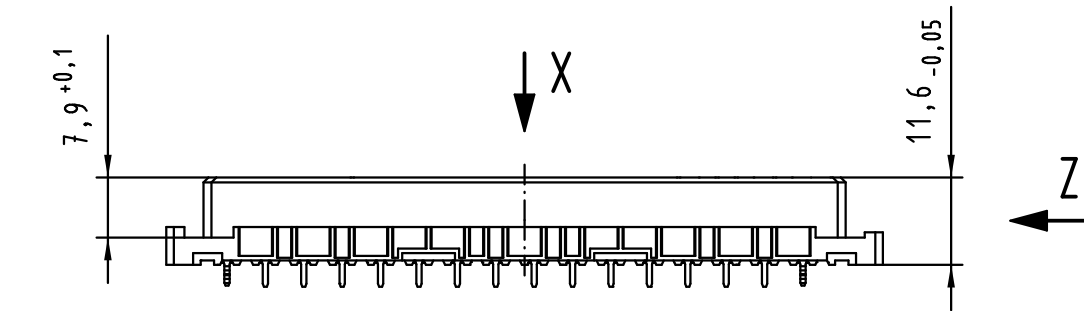
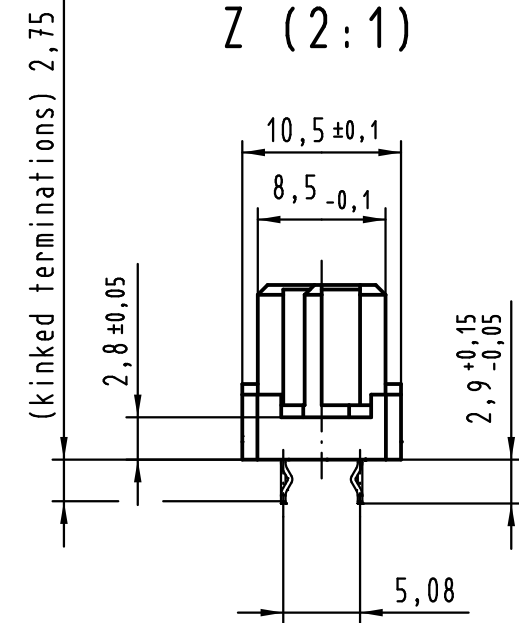
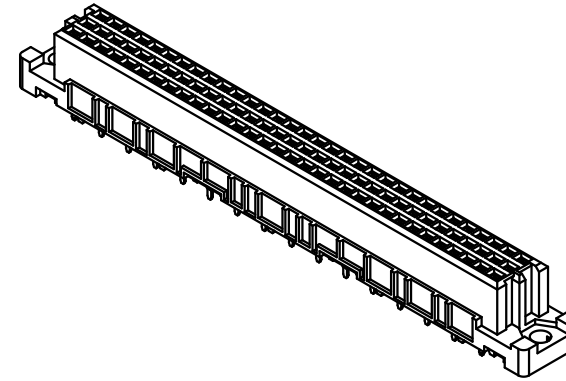
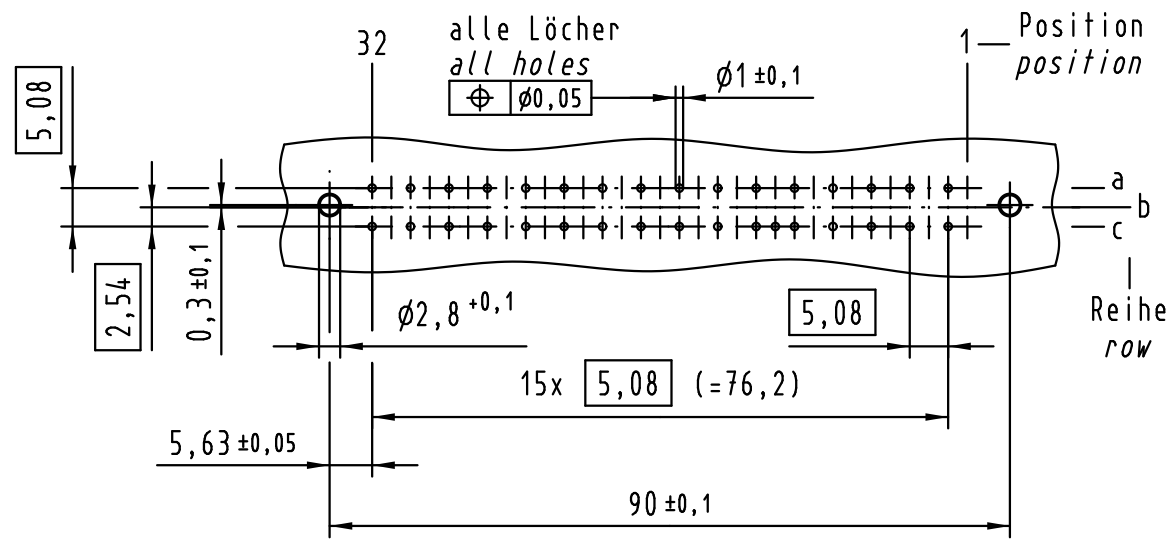
X
Kontaktanordnung
contact arrangement



28 Einlöt Kontakte
4 kinked Einlöt Kontakte
28 solder contacts
4 kinked solder contacts

- ☒ = Einlöt Kontakt
= solder contact
- = kinked Einlöt Kontakt
= kinked solder contact
- = Kontaktposition nicht belegt
= position without contact

X
Lochbild
board drillings



① weitere Informationen siehe: DS 09 03 210 00 01
further information see: DS 09 03 210 00 01

09 03 232 7855	3
09 03 232 6855	2
09 03 232 2855	1
Bestell-Nr. part-no.	Anforderungsstufe performance level ①

All Dimensions in mm Original Size DIN A 3		Techn. Character.			Maßstab/Scale 1:1
Mod.	Dat.	Name	Dat.	Name	
36400	27.06.11	Hage.			HARTING D-32339 ESPELKAMP
34650	13.08.07	Cla	Detail.	02.09.99 Rie.	
34158	17.01.07	LehT	Insp.	02.09.99 Pa.	
30814	18.02.02	Rie.	Stand.		
26919	12.11.99	Rie.			
26082					

Nicht tolerierte Maße/Free size tolerances
IEC 60603-2

har-bus C Federleiste
kinked Einlöt 2,9 , 32 pol.
har-bus C female connector
kinked solder 2,9 , 32 pol.

TB 09 03 232 x855

Blatt/page
Sub.