



Chipsmall Limited consists of a professional team with an average of over 10 year of expertise in the distribution of electronic components. Based in Hongkong, we have already established firm and mutual-benefit business relationships with customers from,Europe,America and south Asia,supplying obsolete and hard-to-find components to meet their specific needs.

With the principle of "Quality Parts,Customers Priority,Honest Operation,and Considerate Service",our business mainly focus on the distribution of electronic components. Line cards we deal with include Microchip,ALPS,ROHM,Xilinx,Pulse,ON,Everlight and Freescale. Main products comprise IC,Modules,Potentiometer,IC Socket,Relay,Connector.Our parts cover such applications as commercial,industrial, and automotives areas.

We are looking forward to setting up business relationship with you and hope to provide you with the best service and solution. Let us make a better world for our industry!



Contact us

Tel: +86-755-8981 8866 Fax: +86-755-8427 6832

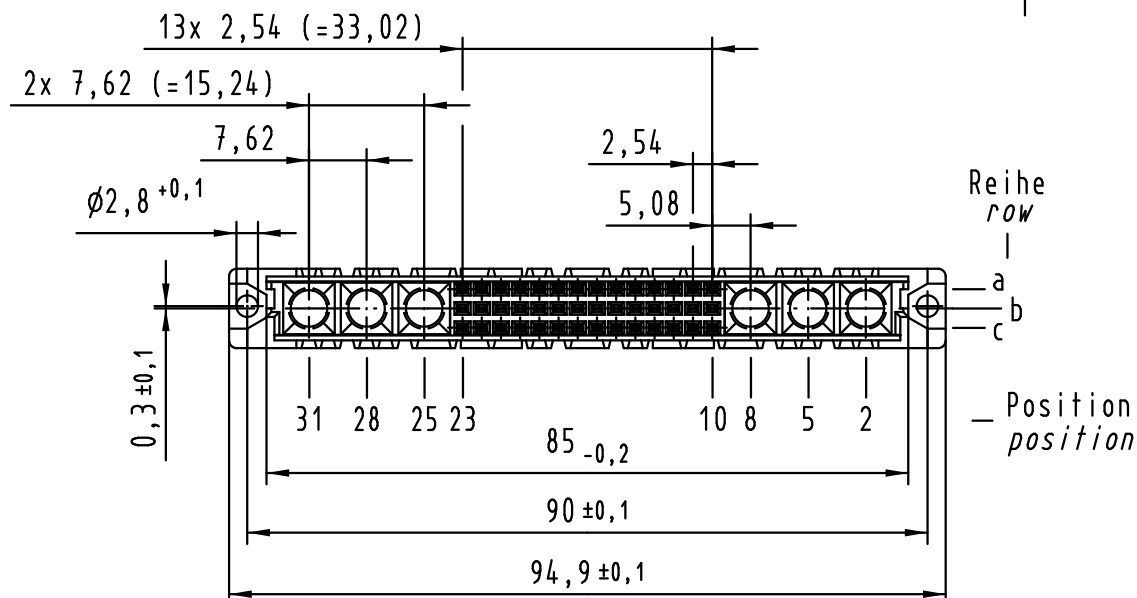
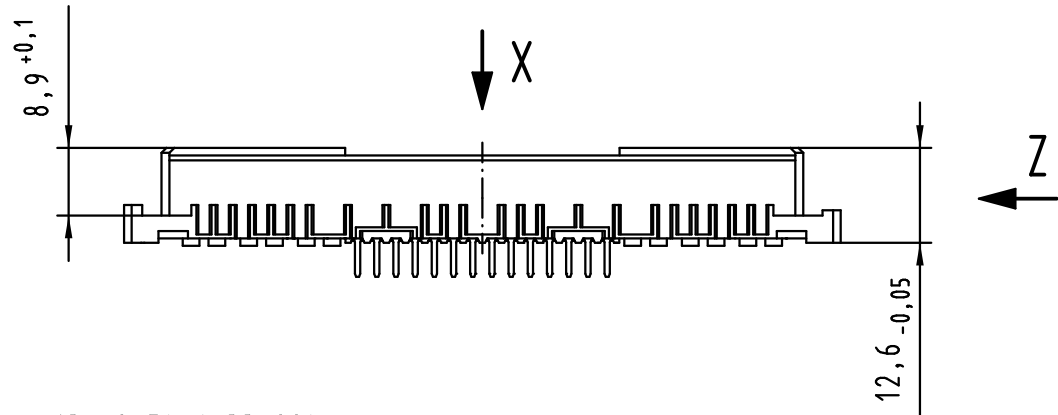
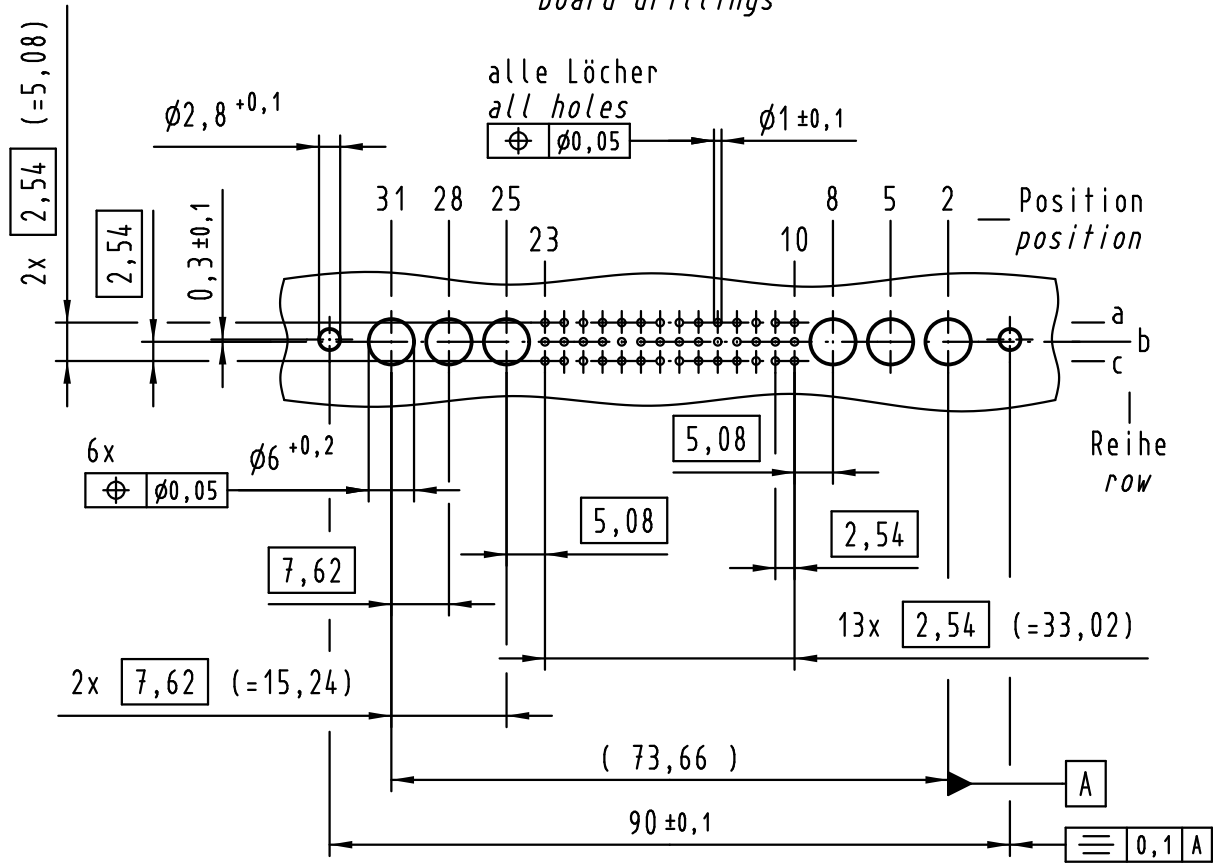
Email & Skype: info@chipsmall.com Web: www.chipsmall.com

Address: A1208, Overseas Decoration Building, #122 Zhenhua RD., Futian, Shenzhen, China

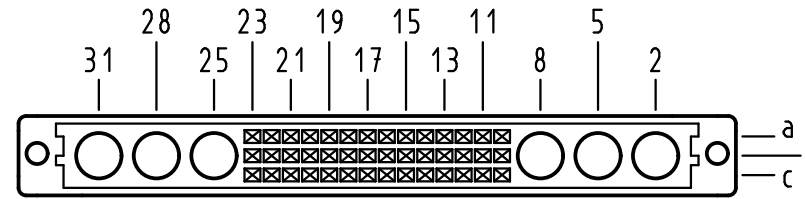


Alle Rechte vorbehalten/ All rights reserved

X
Lochbild
board drillings



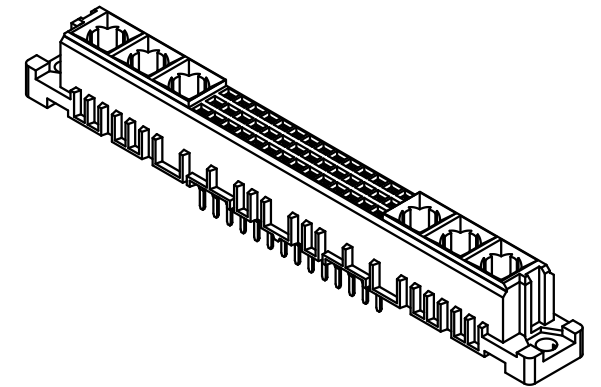
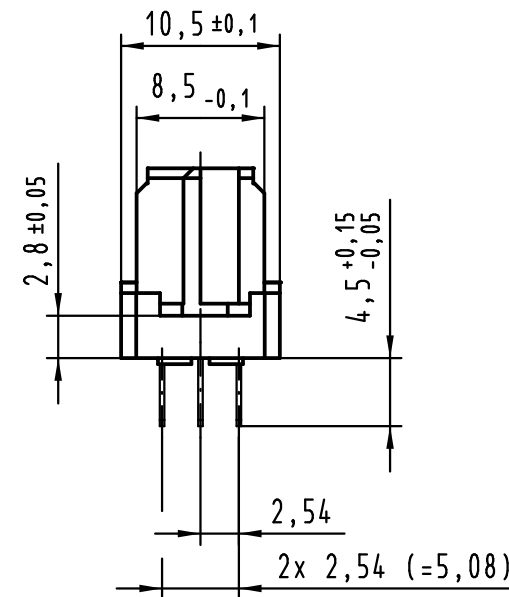
X
Kontaktanordnung
contact arrangement



42 Einlöt Kontakte
42 solder contacts

- ☒ = Einlöt Kontakt
= solder contact
- = Kontaktposition nicht belegt
= position without contact

Z (2:1)



① weitere Informationen siehe: DS 09 03 210 00 01
further information see: DS 09 03 210 00 01

09 03 242 6805	2
09 03 242 2805	1
Bestell-Nr. part-no.	Anforderungsstufe performance level ①

All Dimensions in mm Original Size DIN A 3			Techn. Character.			Nicht tolerierte Maß/Free size tolerances IEC 60603-02			
Mod.	Dat.	Name	Dat.	Name	Maßstab/Scale	har-bus M42 Federleiste Einlöt 4,5 , 42-polig har-bus M42 female connector solder 4.5 , 42-pole			
36414	22.07.11	Hage.	Detail.	15.10.99 Rie.	1:1			TB 09 03 242 x805	
30248	23.05.02	Rie.	Insp.	15.10.99 Pa.					
26963	24.01.00	Rie.	Stand.						
26090									
HARTING Electronics GmbH & Co. KG D-32339 ESPELKAMP			HARTING			Sub.			

Blatt/ page