



Chipsmall Limited consists of a professional team with an average of over 10 year of expertise in the distribution of electronic components. Based in Hongkong, we have already established firm and mutual-benefit business relationships with customers from,Europe,America and south Asia,supplying obsolete and hard-to-find components to meet their specific needs.

With the principle of “Quality Parts,Customers Priority,Honest Operation,and Considerate Service”,our business mainly focus on the distribution of electronic components. Line cards we deal with include Microchip,ALPS,ROHM,Xilinx,Pulse,ON,Everlight and Freescale. Main products comprise IC,Modules,Potentiometer,IC Socket,Relay,Connector.Our parts cover such applications as commercial,industrial, and automotives areas.

We are looking forward to setting up business relationship with you and hope to provide you with the best service and solution. Let us make a better world for our industry!



Contact us

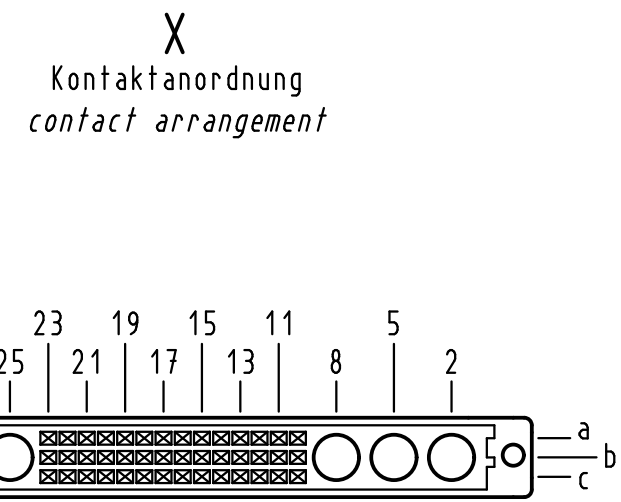
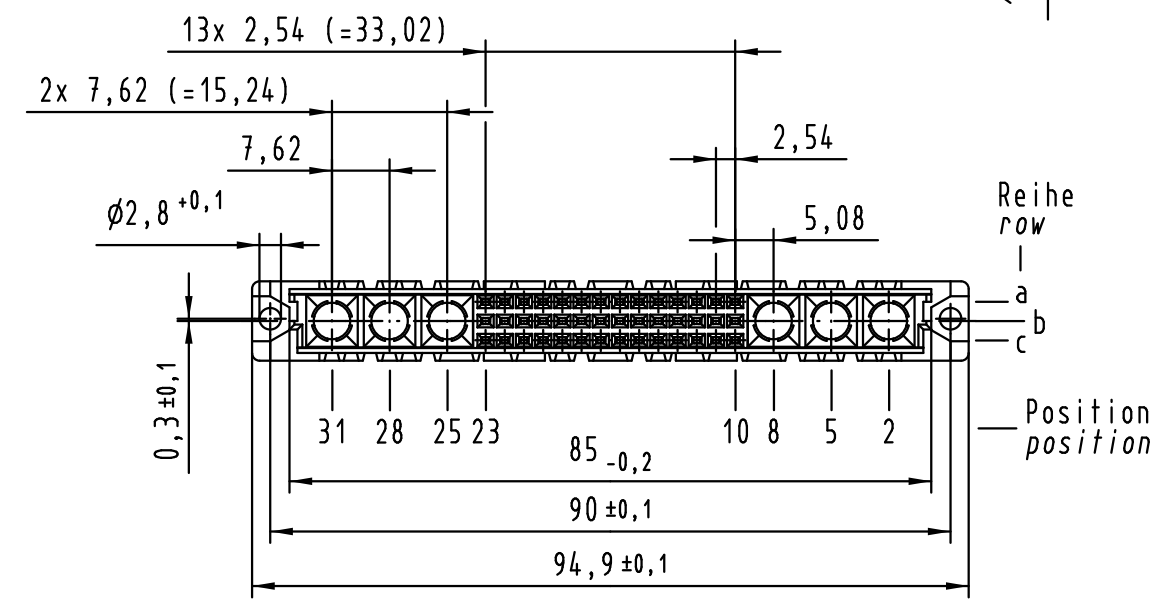
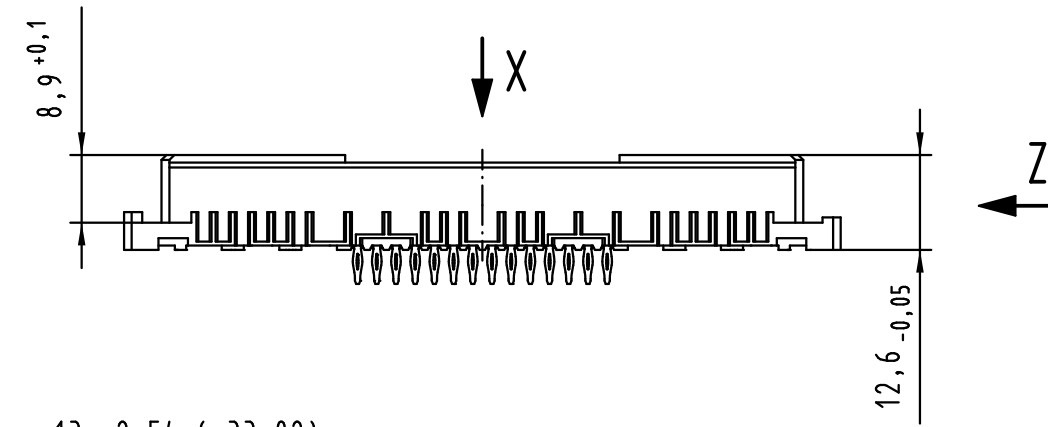
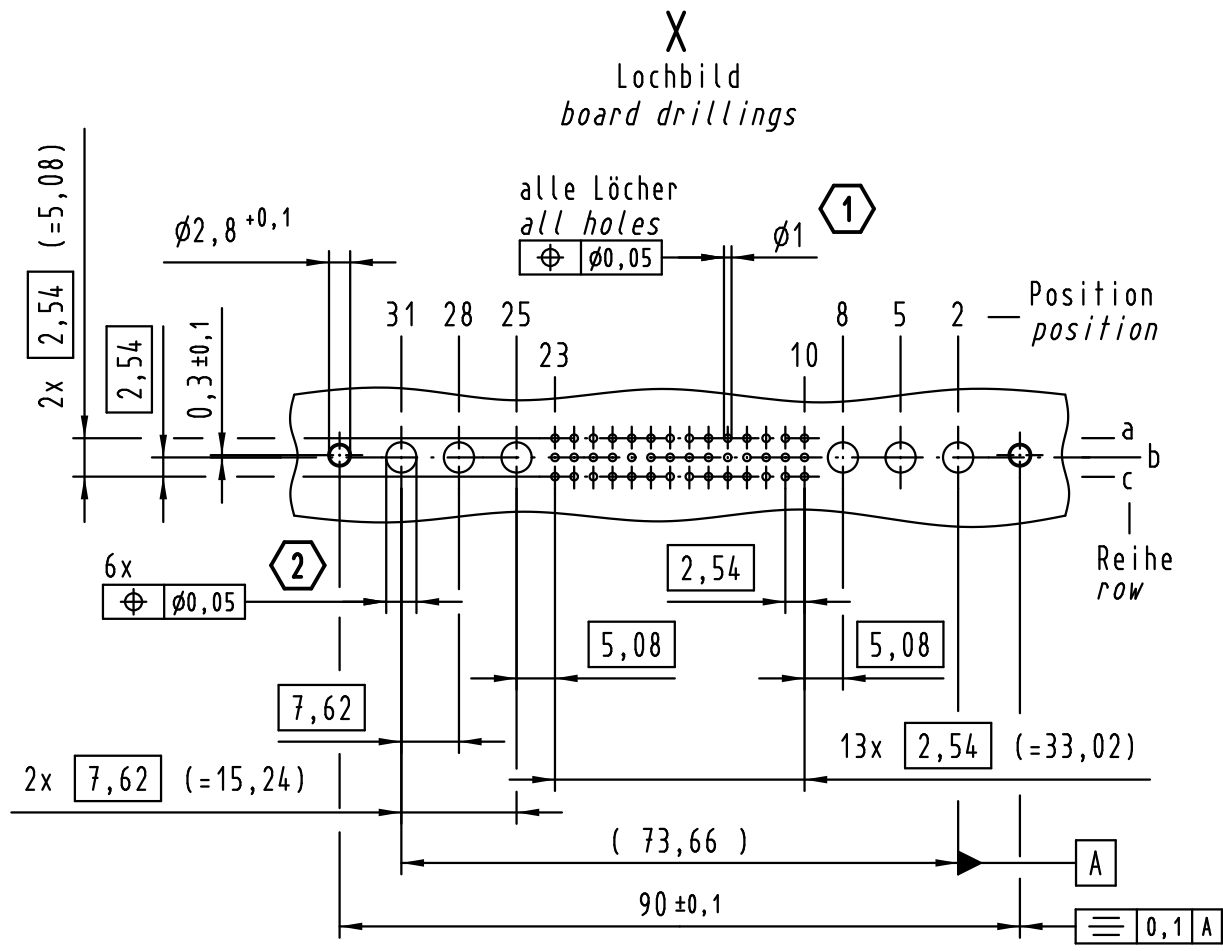
Tel: +86-755-8981 8866 Fax: +86-755-8427 6832

Email & Skype: info@chipsmall.com Web: www.chipsmall.com

Address: A1208, Overseas Decoration Building, #122 Zhenhua RD., Futian, Shenzhen, China



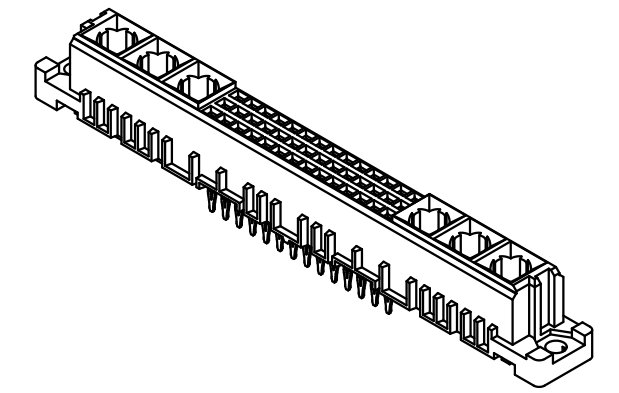
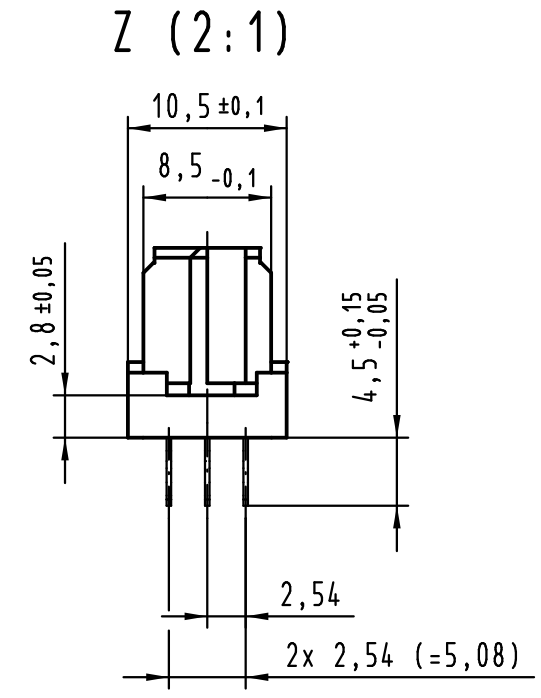
Alle Rechte vorbehalten/ All rights reserved



42 Einpress Kontakte
42 press-in contacts

☒ = Einpress Kontakt
= press-in contact

☐ = Kontaktposition nicht belegt
= position without contact



2 Lochdurchmesser ist auf den jeweiligen Kontakt abzustimmen
hole diameter is to be co-ordinated with the respective contact

1 Empfohlener Lochaufbau und weitere Informationen siehe: DS 09 03 210 00 01
recommended configuration of plated through holes and further information see: DS 09 03 210 00 01

09 03 242 6830	2
09 03 242 2830	1
Bestell-Nr. part-no.	Anforderungsstufe performance level 1

All Dimensions in mm Original Size DIN A 3			Techn. Character.			Nicht tolerierte Maßel Free size tolerances IEC 60603-2	
Mod.	Dat.	Name	Detail.	Insp.	Stand.	Maßstab/Scale	
36414	22.07.11	Hage.	10.10.05	10.10.05		1:1	har-bus M42 flat Federleiste Einpress 4,5 , 42-polig har-bus M42 flat female connector press-in 4.5 , 42-pole
33046							
HARTING Electronics GmbH & Co. KG D-32339 ESPELKAMP							TB 09 03 242 x830
							Sub. TB 09 03 242 x840 16.07.04

Blatt/ page