



Chipsmall Limited consists of a professional team with an average of over 10 year of expertise in the distribution of electronic components. Based in Hongkong, we have already established firm and mutual-benefit business relationships with customers from,Europe,America and south Asia,supplying obsolete and hard-to-find components to meet their specific needs.

With the principle of “Quality Parts,Customers Priority,Honest Operation,and Considerate Service”,our business mainly focus on the distribution of electronic components. Line cards we deal with include Microchip,ALPS,ROHM,Xilinx,Pulse,ON,Everlight and Freescale. Main products comprise IC,Modules,Potentiometer,IC Socket,Relay,Connector.Our parts cover such applications as commercial,industrial, and automotives areas.

We are looking forward to setting up business relationship with you and hope to provide you with the best service and solution. Let us make a better world for our industry!



## Contact us

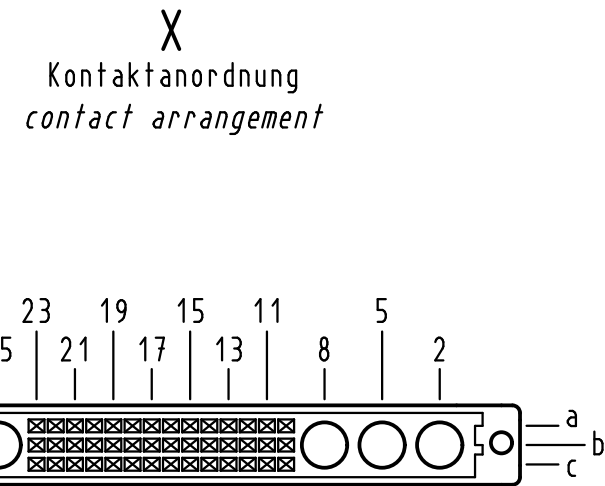
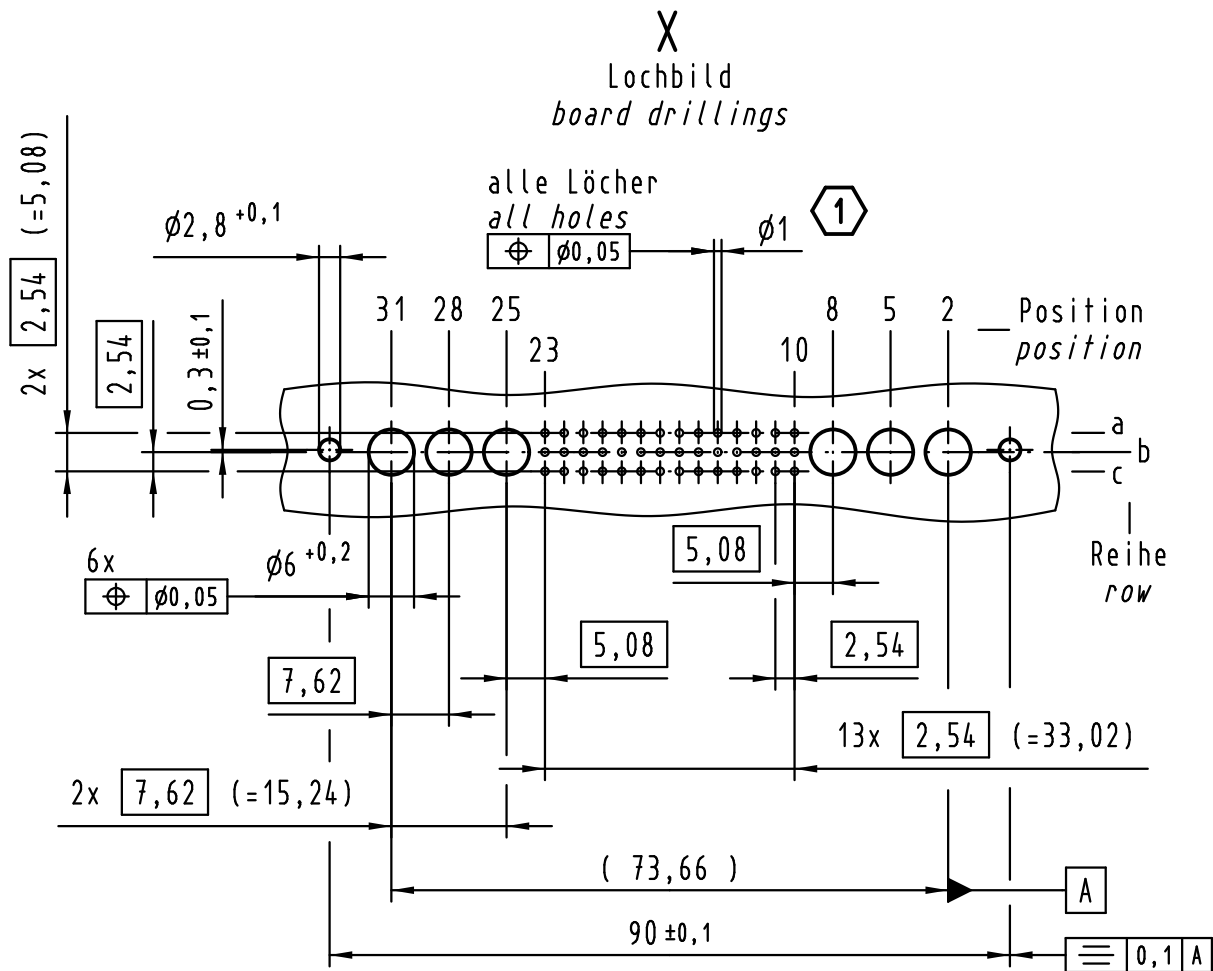
Tel: +86-755-8981 8866 Fax: +86-755-8427 6832

Email & Skype: info@chipsmall.com Web: www.chipsmall.com

Address: A1208, Overseas Decoration Building, #122 Zhenhua RD., Futian, Shenzhen, China



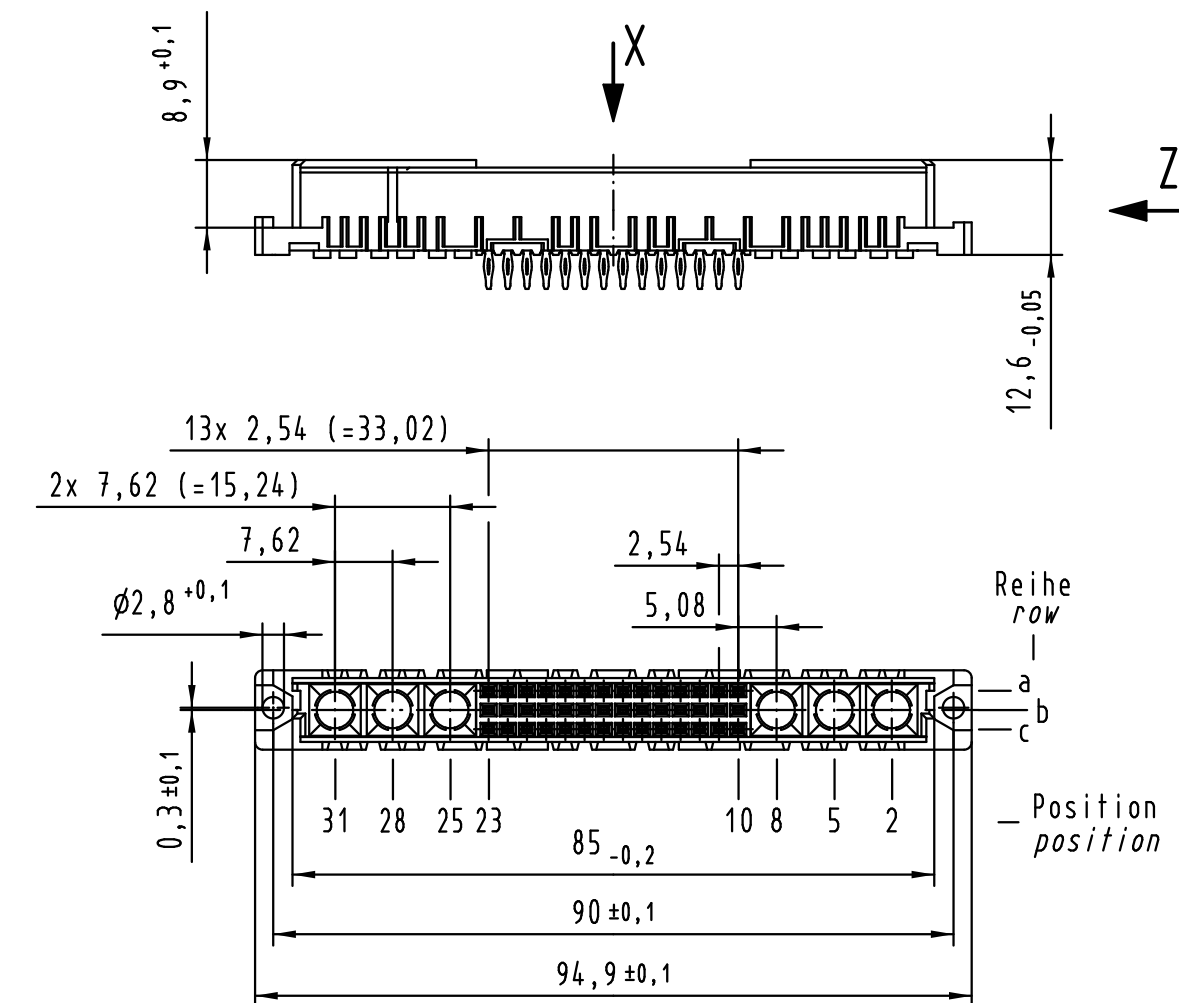
Alle Rechte vorbehalten/ All rights reserved



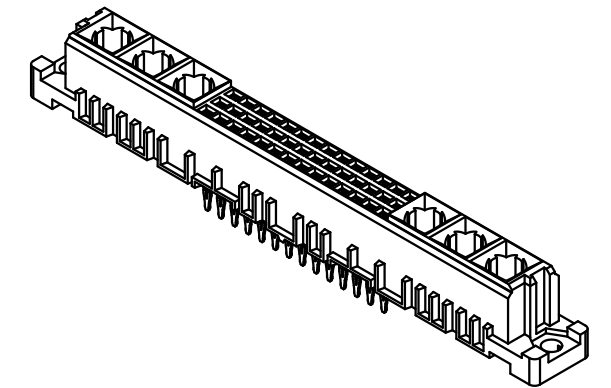
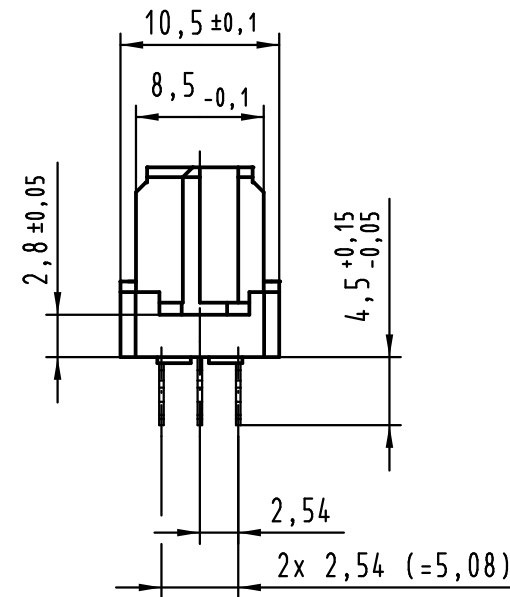
42 Einpress Kontakte  
42 press-in contacts

⊗ = Einpress Kontakt  
= press-in contact

□ = Kontaktposition nicht belegt  
= position without contact



**Z (2:1)**



Empfohlener Lochaufbau und  
weitere Informationen siehe: DS 09 03 210 00 01  
recommended configuration of plated through holes  
and further information see: DS 09 03 210 00 01

①

09 03 242 6850	2
Bestell-Nr. part-no.	Anforderungsstufe performance level ①
Nicht tolerierte Maßel/Free size tolerances IEC 60603-2	
har-bus M42 Federleiste Einpress 4,5 , 42-polig har-bus M42 female connector press-in 4.5 , 42-pole	
TB 09 03 242 x850	
Sub.	Blatt/ page

All Dimensions in mm Original Size DIN A 3		Techn. Character.			Maßstab/Scale 1:1
Mod.	Dat.	Name	Dat.	Name	
36414	25.07.11	Hage.	Detail.	15.10.99	Rie.
30248	23.05.02	Rie.	Insp.	15.10.99	Pa.
26963	24.01.00	Rie.	Stand.		
26090					
HARTING Electronics GmbH & Co. KG D-32339 ESPELKAMP					