



Chipsmall Limited consists of a professional team with an average of over 10 year of expertise in the distribution of electronic components. Based in Hongkong, we have already established firm and mutual-benefit business relationships with customers from,Europe,America and south Asia,supplying obsolete and hard-to-find components to meet their specific needs.

With the principle of “Quality Parts,Customers Priority,Honest Operation,and Considerate Service”,our business mainly focus on the distribution of electronic components. Line cards we deal with include Microchip,ALPS,ROHM,Xilinx,Pulse,ON,Everlight and Freescale. Main products comprise IC,Modules,Potentiometer,IC Socket,Relay,Connector.Our parts cover such applications as commercial,industrial, and automotives areas.

We are looking forward to setting up business relationship with you and hope to provide you with the best service and solution. Let us make a better world for our industry!



## Contact us

Tel: +86-755-8981 8866 Fax: +86-755-8427 6832

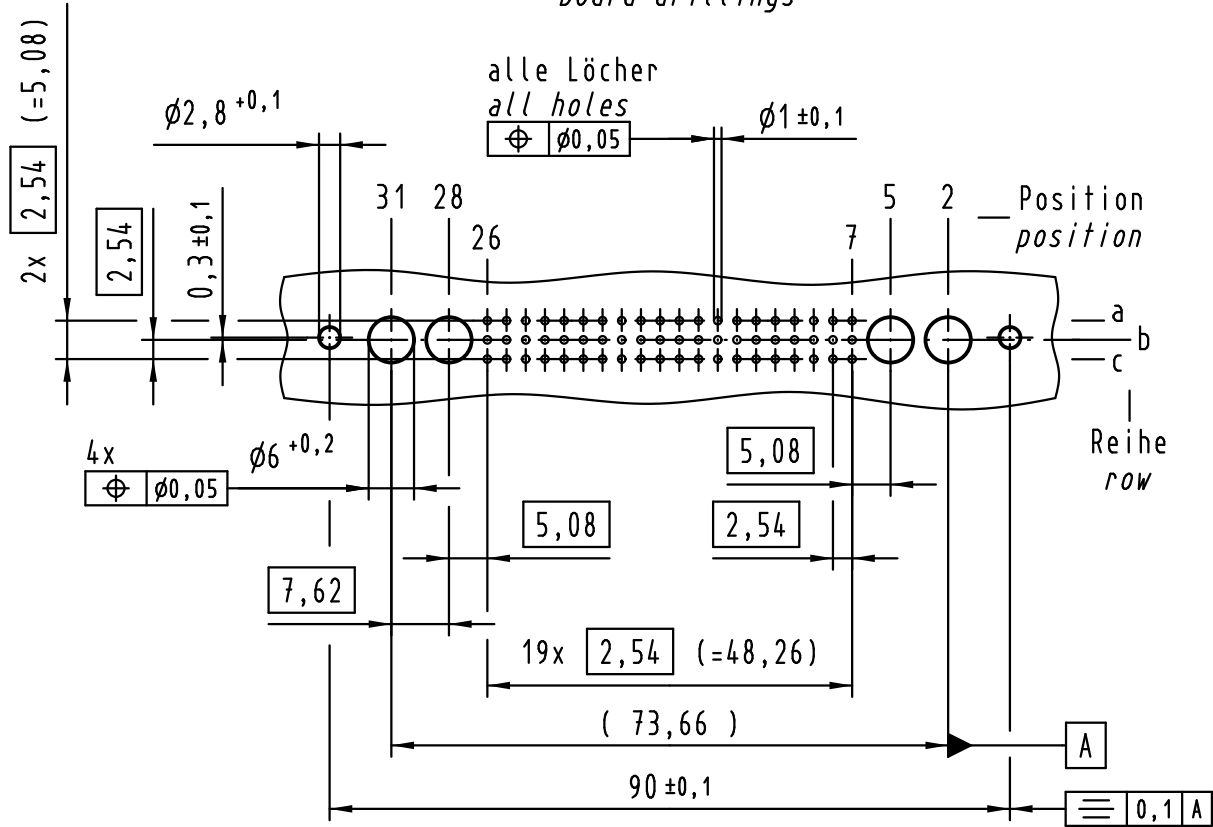
Email & Skype: info@chipsmall.com Web: www.chipsmall.com

Address: A1208, Overseas Decoration Building, #122 Zhenhua RD., Futian, Shenzhen, China

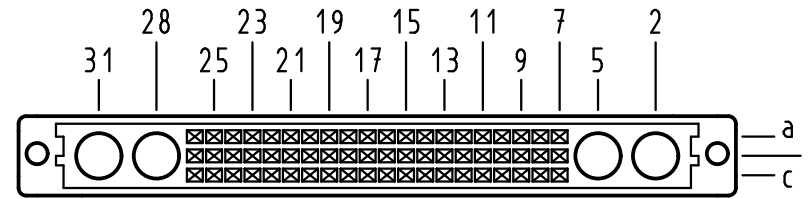


Alle Rechte vorbehalten/ All rights reserved

**X**  
Lochbild  
board drillings



**X**  
Kontaktanordnung  
contact arrangement

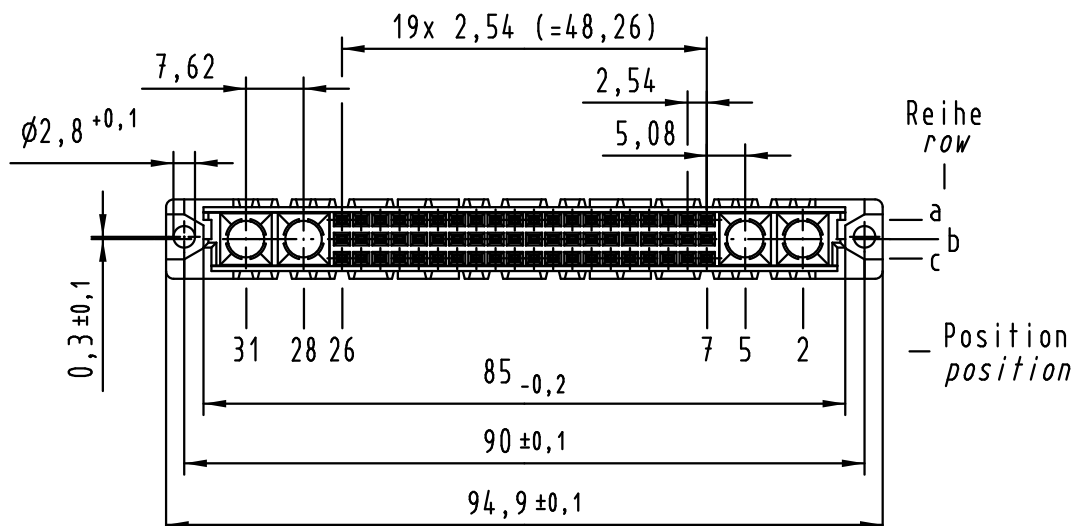
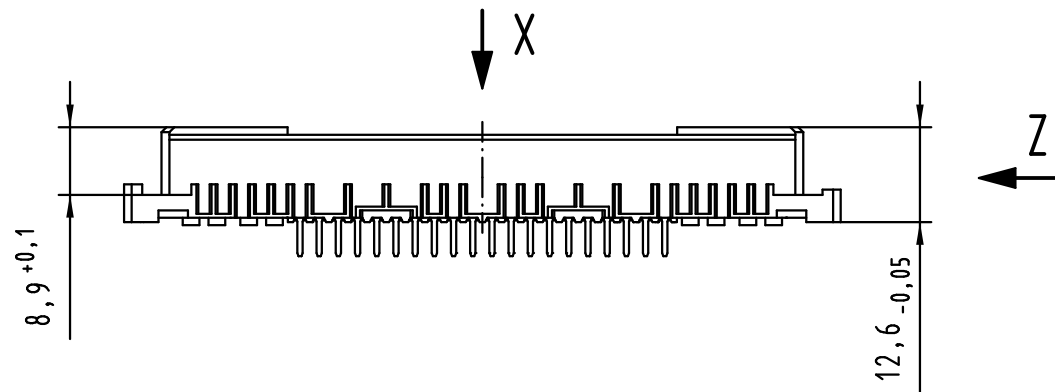
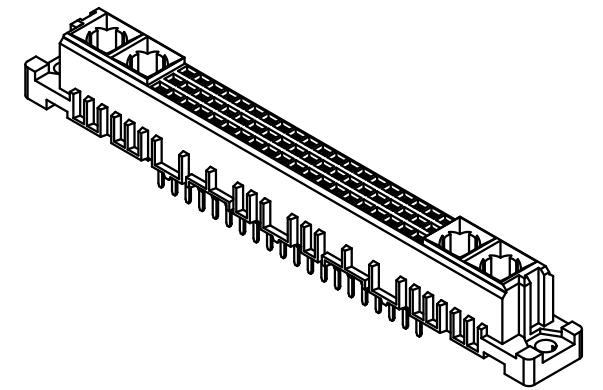
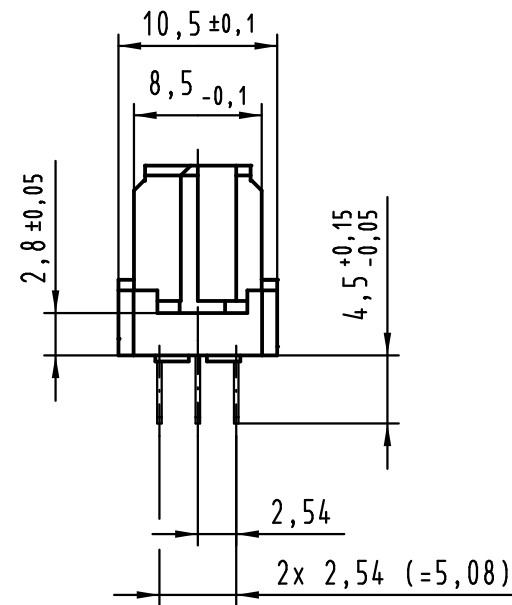


60 Einlöt Kontakte  
60 solder contacts

☒ = Einlöt Kontakt  
= solder contact

□ = Kontaktposition nicht belegt  
= position without contact

**Z** (2:1)



① weitere Informationen siehe: DS 09 03 210 00 01  
further information see: DS 09 03 210 00 01

All Dimensions in mm Original Size DIN A 3		Techn. Character.			Maßstab/Scale <b>1:1</b>
Mod.	Dat.	Name	Dat.	Name	
36414	25.07.11	Hage.	Detail.	15.10.99 Rie.	
30246	23.05.02	Rie.	Insp.	15.10.99 Pa.	
26963	24.01.00	Rie.	Stand.		
26090					

HARTING Electronics GmbH & Co. KG  
D-32339 ESPELKAMP

09 03 260 6805	2
Bestell-Nr. part-no.	Anforderungsstufe performance level ①
Nicht tolerierte Maßel Free size tolerances IEC 60603-2	
har-bus M60 Federleiste Einlöt 4,5 , 60-polig har-bus M60 female connector solder 4.5 , 60-pole	
TB 09 03 260 x805	Blatt/ page
Sub.	