



Chipsmall Limited consists of a professional team with an average of over 10 year of expertise in the distribution of electronic components. Based in Hongkong, we have already established firm and mutual-benefit business relationships with customers from,Europe,America and south Asia,supplying obsolete and hard-to-find components to meet their specific needs.

With the principle of “Quality Parts,Customers Priority,Honest Operation,and Considerate Service”,our business mainly focus on the distribution of electronic components. Line cards we deal with include Microchip,ALPS,ROHM,Xilinx,Pulse,ON,Everlight and Freescale. Main products comprise IC,Modules,Potentiometer,IC Socket,Relay,Connector.Our parts cover such applications as commercial,industrial, and automotives areas.

We are looking forward to setting up business relationship with you and hope to provide you with the best service and solution. Let us make a better world for our industry!



Contact us

Tel: +86-755-8981 8866 Fax: +86-755-8427 6832

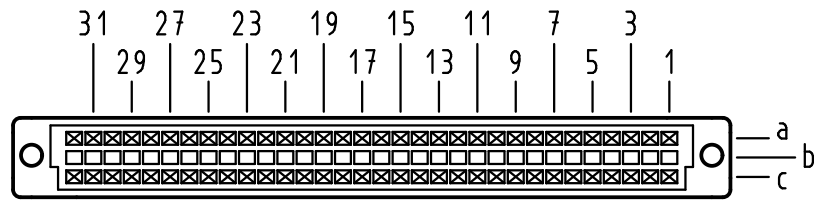
Email & Skype: info@chipsmall.com Web: www.chipsmall.com

Address: A1208, Overseas Decoration Building, #122 Zhenhua RD., Futian, Shenzhen, China



Alle Rechte vorbehalten/ All rights reserved

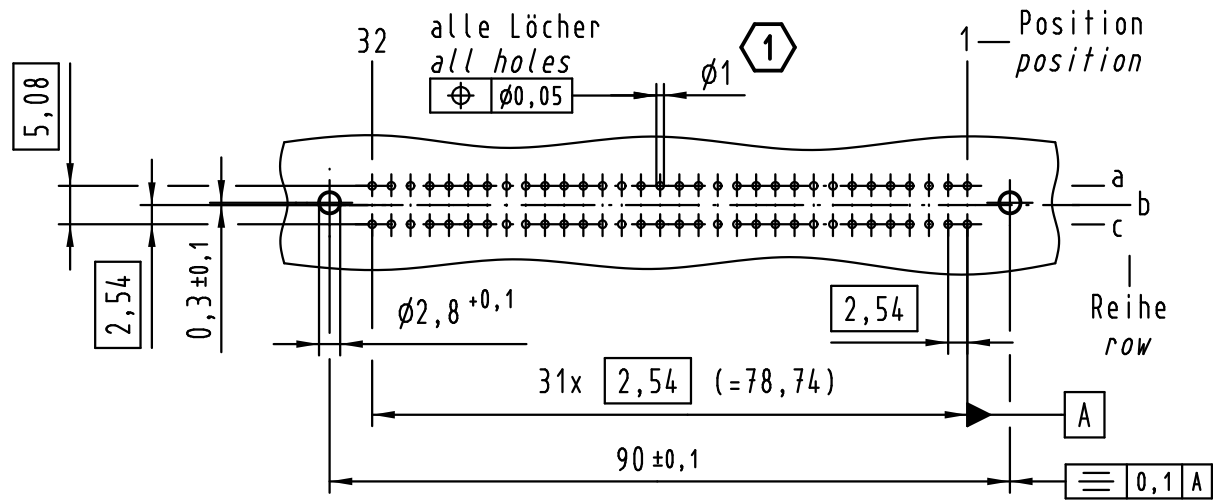
X
Kontaktanordnung
contact arrangement



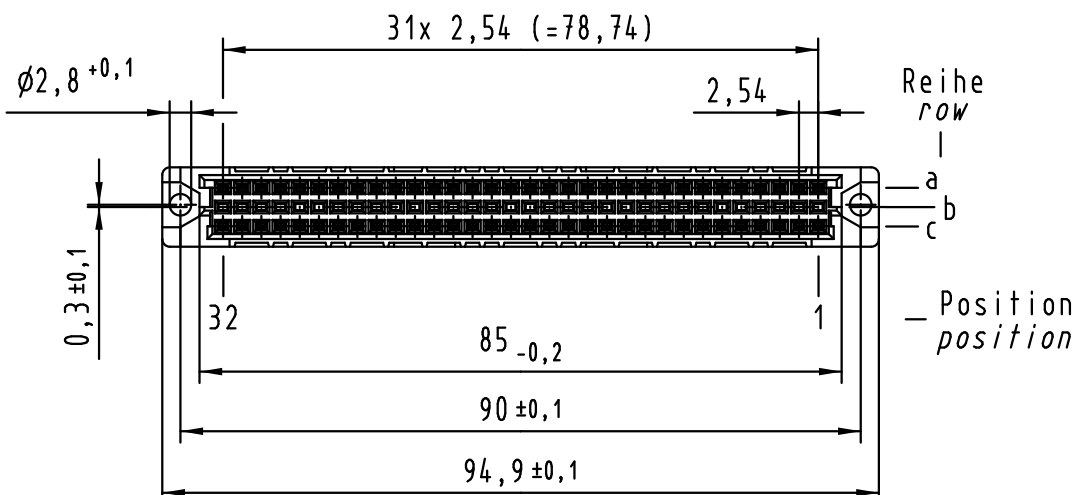
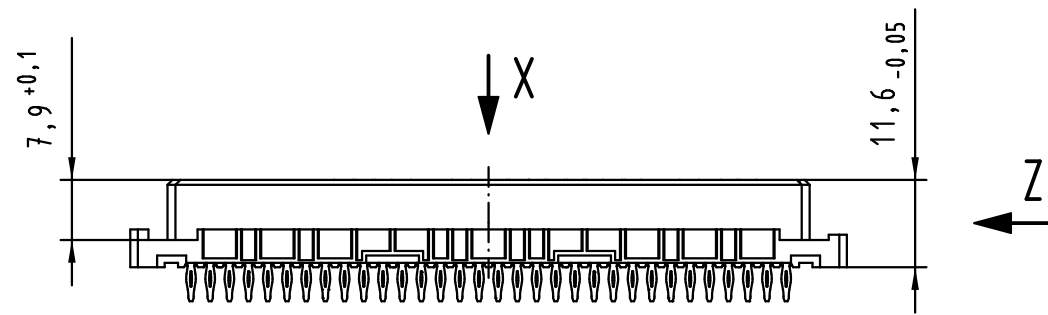
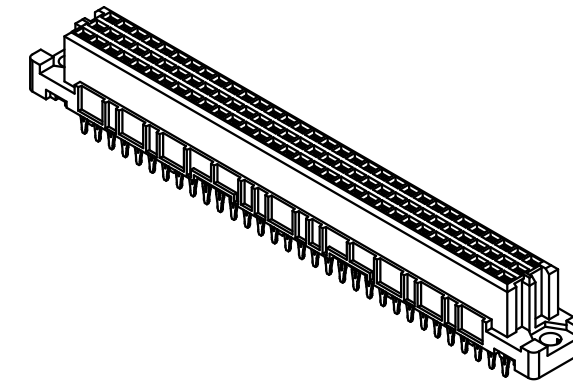
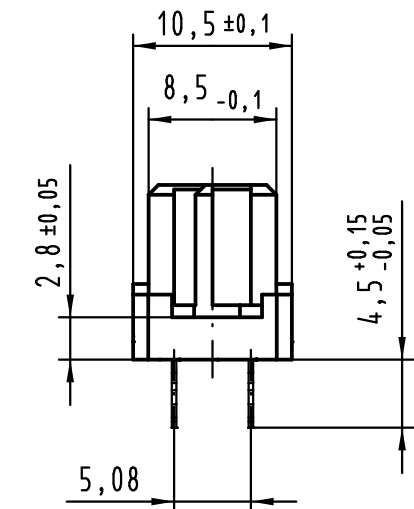
64 Einpress-Kontakte
64 press-in-contacts

- ☒ = Einpress-Kontakt
= press-in-contact
- = Kontaktposition nicht belegt
= position without contact

X
Lochbild
board drillings



Z (2:1)



1 Empfohlener Lochaufbau und weitere Informationen siehe: DS 09 03 210 00 01
recommended configuration of plated through holes and further information see: DS 09 03 210 00 01

09 03 264 7850	3
09 03 264 6850	2
09 03 264 2850	1
Bestell-Nr. part-no.	Anforderungsstufe performance level 1

All Dimensions in mm Original Size DIN A 3		Techn. Character.			Nicht tolerierte Maße/Free size tolerances IEC 60603-2		
Mod.	Dat.	Name	Dat.	Name	Maßstab/Scale	har-bus C Federleiste Einpress 4,5 , 64 pol. har-bus C female connector press-in 4,5 , 64 pol.	
36400	04.07.11	Hage.			1:1		TB 09 03 264 x850
34650	27.08.07	Cla	Detail.	22.10.98		Hm	
34158	19.01.07	LehT	Insp.	22.10.98		Ko	
30816	20.02.02	Rie.	Stand.				
26080	31.08.99	Rie.					
HARTING Electronics GmbH & Co. KG D-32339 ESPELKAMP						Blatt/ page	
25071						Sub.	

