



Chipsmall Limited consists of a professional team with an average of over 10 year of expertise in the distribution of electronic components. Based in Hongkong, we have already established firm and mutual-benefit business relationships with customers from,Europe,America and south Asia,supplying obsolete and hard-to-find components to meet their specific needs.

With the principle of “Quality Parts,Customers Priority,Honest Operation,and Considerate Service”,our business mainly focus on the distribution of electronic components. Line cards we deal with include Microchip,ALPS,ROHM,Xilinx,Pulse,ON,Everlight and Freescale. Main products comprise IC,Modules,Potentiometer,IC Socket,Relay,Connector.Our parts cover such applications as commercial,industrial, and automotives areas.

We are looking forward to setting up business relationship with you and hope to provide you with the best service and solution. Let us make a better world for our industry!



## Contact us

Tel: +86-755-8981 8866 Fax: +86-755-8427 6832

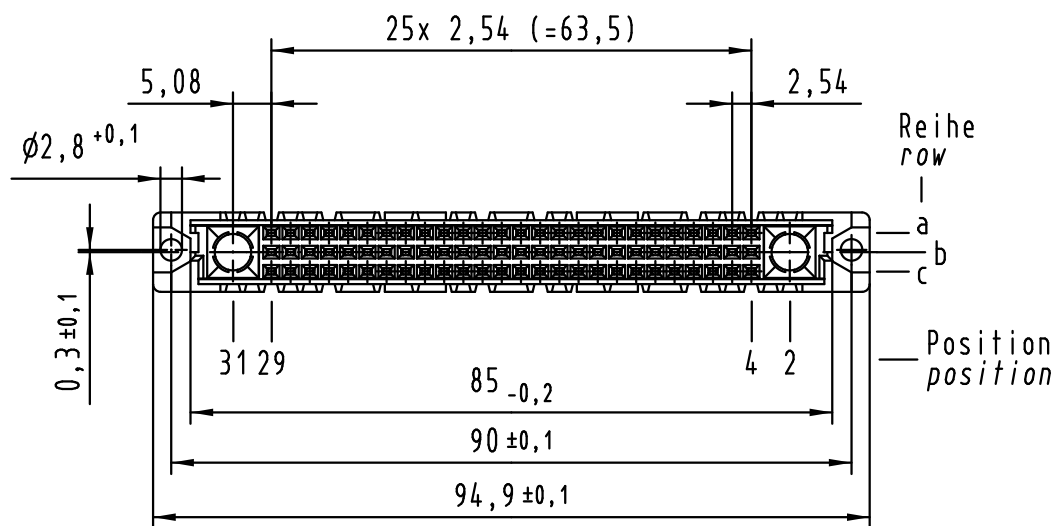
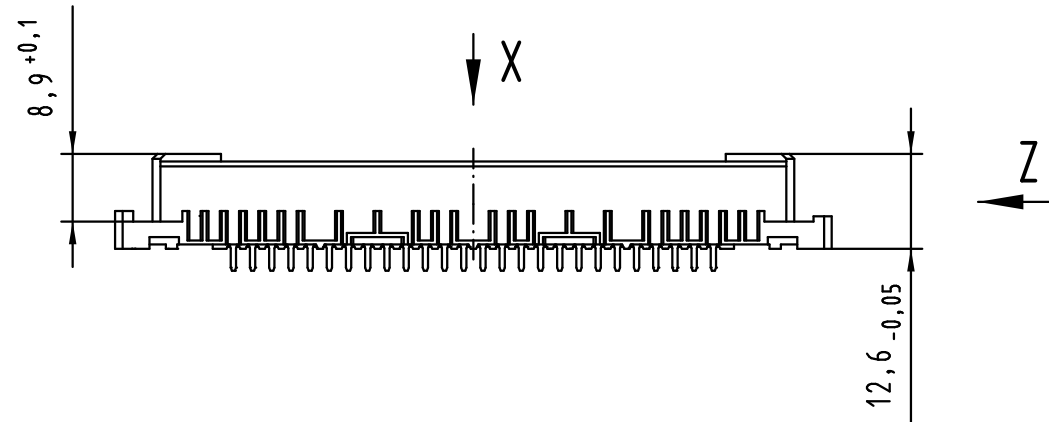
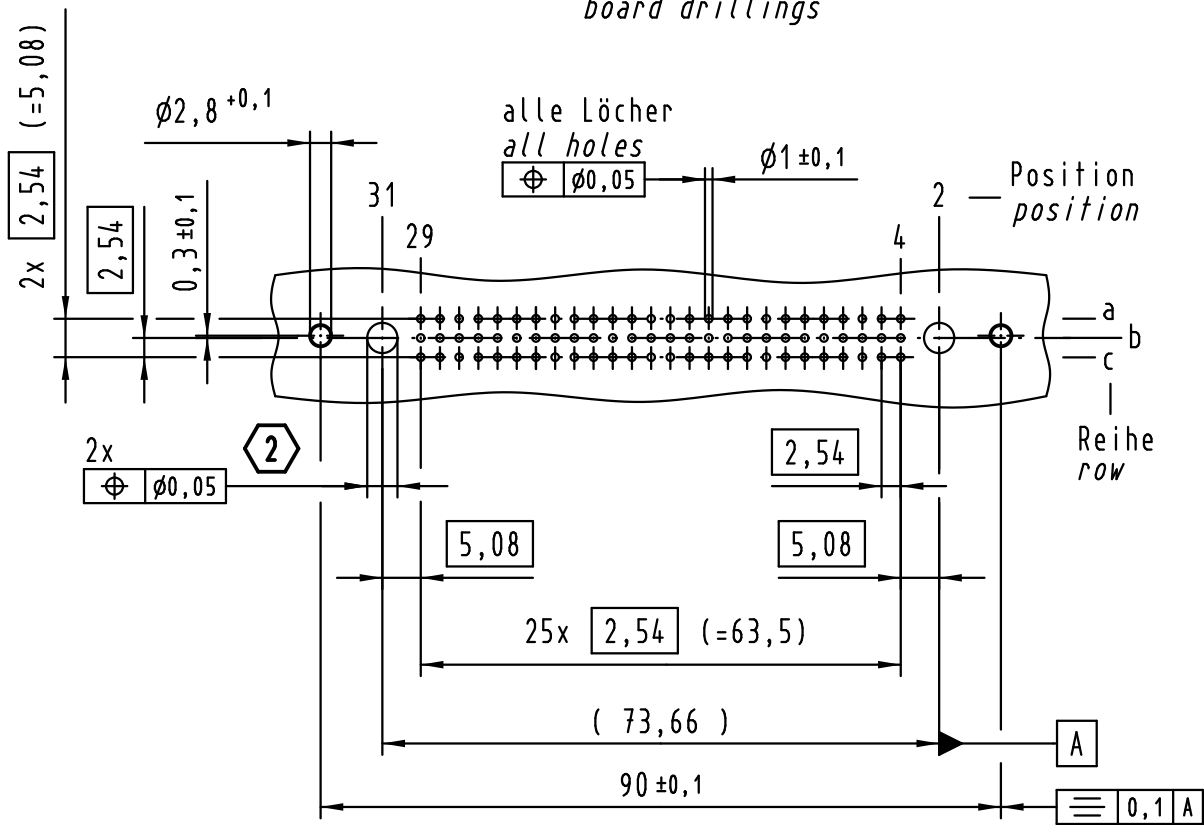
Email & Skype: info@chipsmall.com Web: www.chipsmall.com

Address: A1208, Overseas Decoration Building, #122 Zhenhua RD., Futian, Shenzhen, China

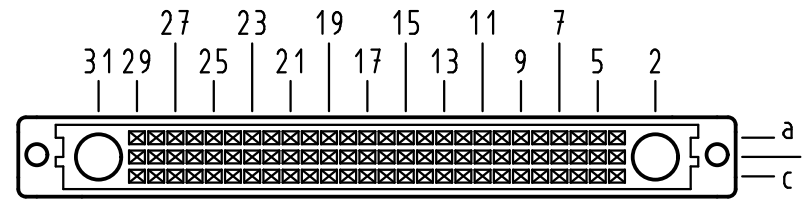


Alle Rechte vorbehalten/ All rights reserved

**X**  
Lochbild  
board drillings



**X**  
Kontaktanordnung  
contact arrangement

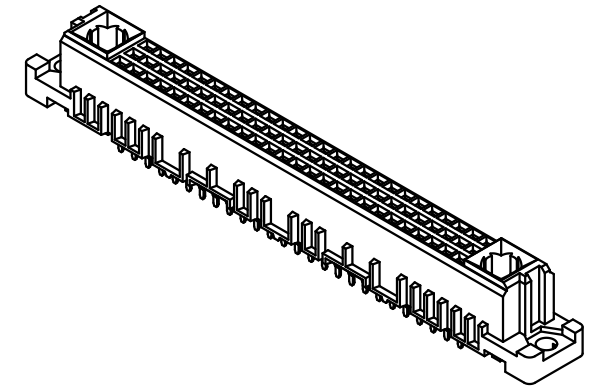
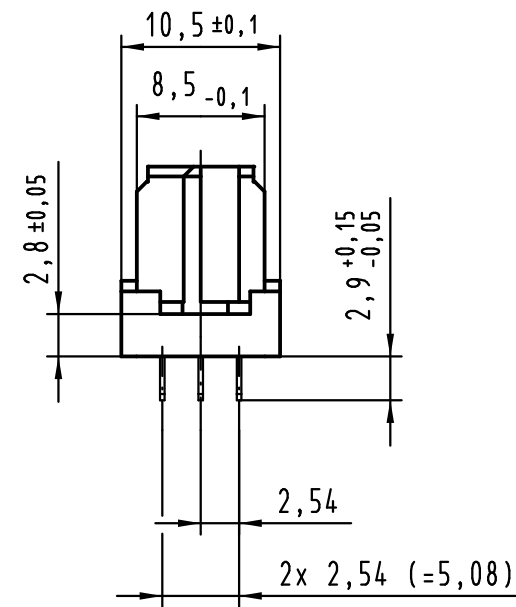


78 Einlöt Kontakte  
78 solder contacts

☒ = Einlöt Kontakt  
= solder contact

☐ = Kontaktposition nicht belegt  
= position without contact

**Z (2:1)**



2 Lochdurchmesser ist auf den jeweiligen Kontakt abzustimmen  
hole diameter is to be co-ordinated with the respective contact

1 weitere Informationen siehe: DS 09 03 210 00 01  
further information see: DS 09 03 210 00 01

09 03 278 6864	2
Bestell-Nr. part-no.	Anforderungsstufe performance level 1

All Dimensions in mm Original Size DIN A 3		Techn. Character.			Nicht tolerierte Maße/Free size tolerances IEC 60603-2	
Mod.	Dat.	Name	Dat.	Name	Maßstab/Scale	har-bus M78 flat Federleiste Einlöt 2,9 , 78-polig har-bus M78 flat female connector solder 2.9 , 78-pole
36414	26.07.11	Hage.	Detail.	16.07.04 Hage.	1:1	
31347			Insp.	16.07.04 Sch.		
			Stand.			Sub.
HARTING Electronics GmbH & Co. KG D-32339 ESPELKAMP			HARTING			