



Chipsmall Limited consists of a professional team with an average of over 10 year of expertise in the distribution of electronic components. Based in Hongkong, we have already established firm and mutual-benefit business relationships with customers from,Europe,America and south Asia,supplying obsolete and hard-to-find components to meet their specific needs.

With the principle of “Quality Parts,Customers Priority,Honest Operation,and Considerate Service”,our business mainly focus on the distribution of electronic components. Line cards we deal with include Microchip,ALPS,ROHM,Xilinx,Pulse,ON,Everlight and Freescale. Main products comprise IC,Modules,Potentiometer,IC Socket,Relay,Connector.Our parts cover such applications as commercial,industrial, and automotives areas.

We are looking forward to setting up business relationship with you and hope to provide you with the best service and solution. Let us make a better world for our industry!



Contact us

Tel: +86-755-8981 8866 Fax: +86-755-8427 6832

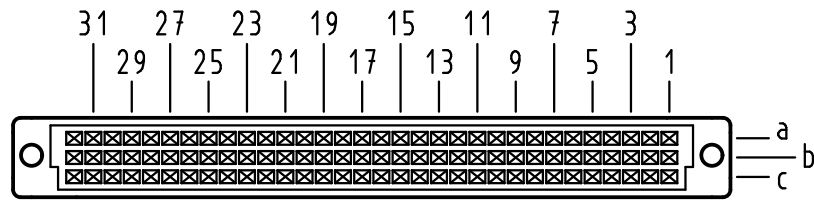
Email & Skype: info@chipsmall.com Web: www.chipsmall.com

Address: A1208, Overseas Decoration Building, #122 Zhenhua RD., Futian, Shenzhen, China



Alle Rechte vorbehalten/ All rights reserved

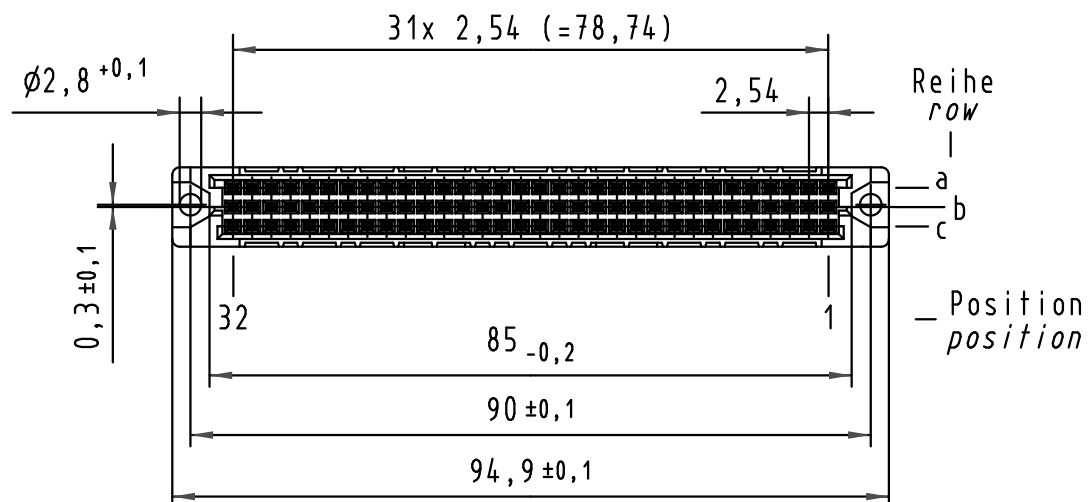
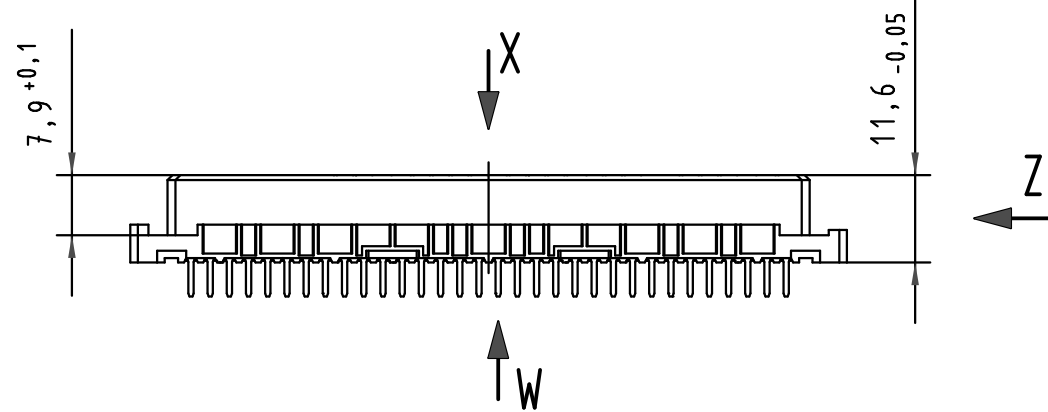
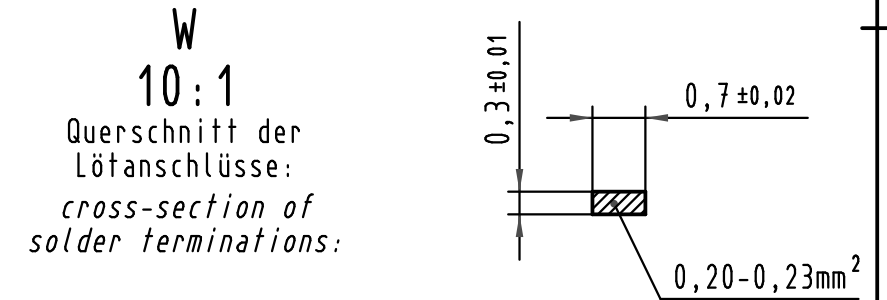
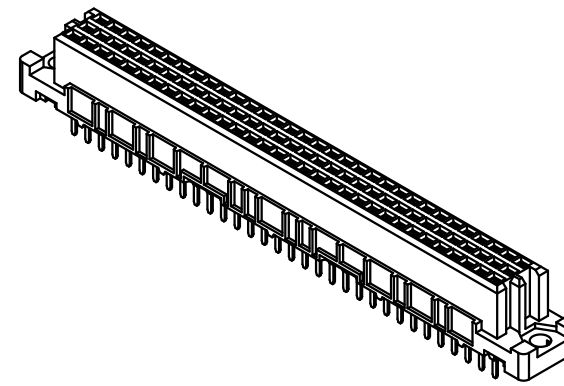
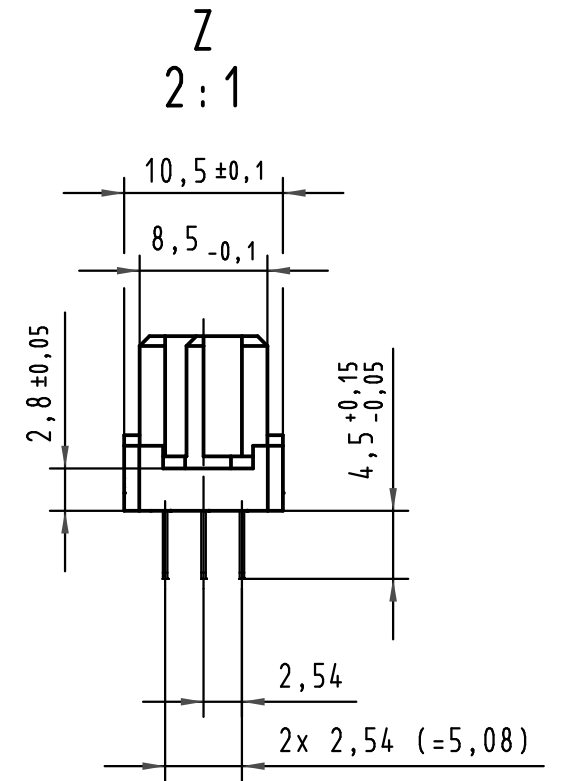
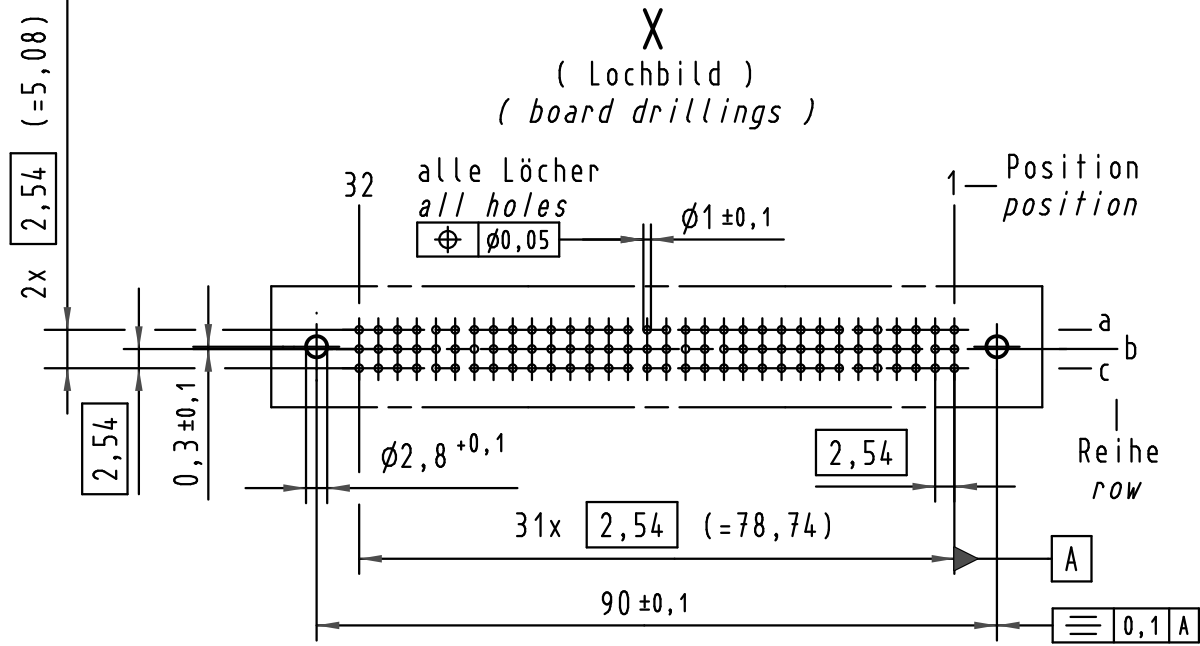
X
Kontaktanordnung
contact arrangement



96 Einlöt-Kontakte
96 solder-contacts

- ☒ = Einlöt-Kontakt
= solder-contact
- = kinked Einlöt-Kontakt
= kinked solder-contact
- = Kontaktposition nicht belegt
= position without contact

X
(Lochbild)
(board drillings)



| | | |
|-------------------------|--|--|
| 09 03 296 4825 | - | min.1,6µm (64µin) Au über/over min.2,5µm (100µin) Ni |
| 09 03 296 7825 | 3 | Au über/over Ni |
| 09 03 296 6825 | 2 | Au über/over Ni |
| 09 03 296 2825 | 1 | Au über/over Ni |
| Bestell-Nr. part-no. | Anforderungsstufe nach IEC performance level acc.to IEC | Kontaktoberfläche contact plating |

| | | | | | | | | |
|---|----------|------|--|----------|----|--|---|-------------|
| All Dimensions in mm Original Size DIN A 3 | | | Techn. Character. IEC 60603-2 | | | Nicht tolerierte Maß/Free size tolerances IEC 60603-2 | | |
| 34158 | 19.01.07 | LehT | Detail. | 21.05.97 | Hm | 1:1 2:1 | har-bus C Federleiste Einlöt 4,5 , 96 pol. har-bus C female connector solder 4,5 , 96 pol. | |
| 30816 | 21.02.02 | Rie. | Insp. | 21.05.97 | Ko | | | |
| 26080 | 31.08.99 | Rie. | Stand. | | | | | |
| 25071 | 22.10.98 | Hm | | | | | | |
| 21455 | | | HARTING Electronics GmbH & Co. KG D-32339 ESPELKAMP | | | | TB 09 03 296 x825 | |
| Mod. | Dat. | Name | | | | | Sub. | Blatt/ page |