



Chipsmall Limited consists of a professional team with an average of over 10 year of expertise in the distribution of electronic components. Based in Hongkong, we have already established firm and mutual-benefit business relationships with customers from,Europe,America and south Asia,supplying obsolete and hard-to-find components to meet their specific needs.

With the principle of “Quality Parts,Customers Priority,Honest Operation,and Considerate Service”,our business mainly focus on the distribution of electronic components. Line cards we deal with include Microchip,ALPS,ROHM,Xilinx,Pulse,ON,Everlight and Freescale. Main products comprise IC,Modules,Potentiometer,IC Socket,Relay,Connector.Our parts cover such applications as commercial,industrial, and automotives areas.

We are looking forward to setting up business relationship with you and hope to provide you with the best service and solution. Let us make a better world for our industry!



Contact us

Tel: +86-755-8981 8866 Fax: +86-755-8427 6832

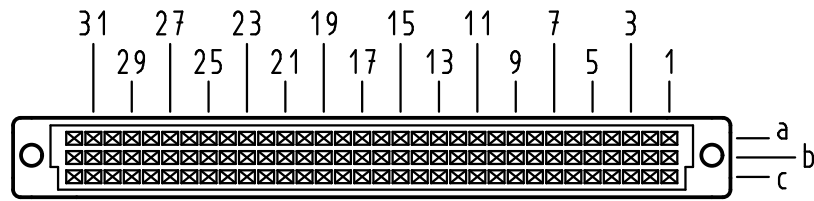
Email & Skype: info@chipsmall.com Web: www.chipsmall.com

Address: A1208, Overseas Decoration Building, #122 Zhenhua RD., Futian, Shenzhen, China



Alle Rechte vorbehalten/ All rights reserved

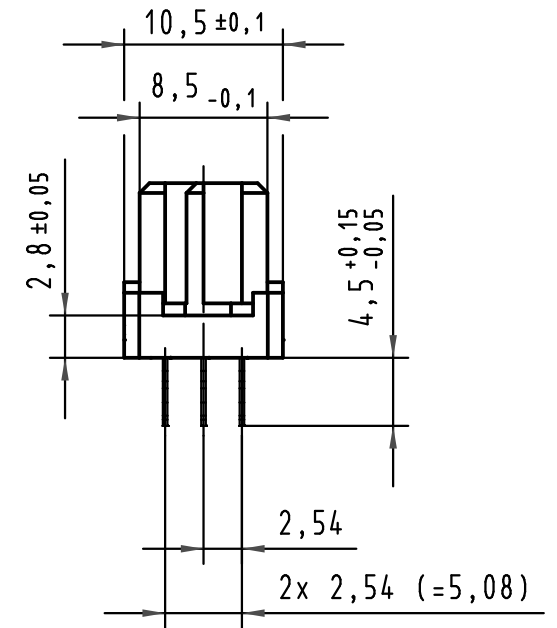
X
Kontaktanordnung
contact arrangement



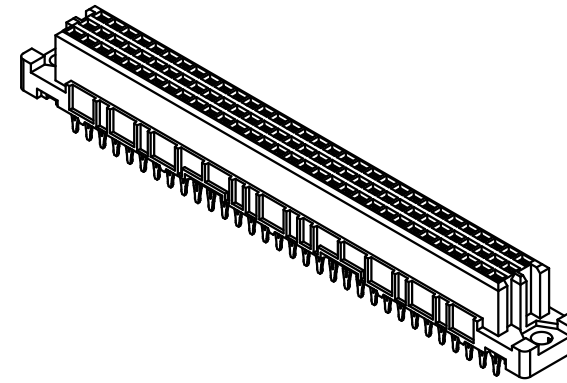
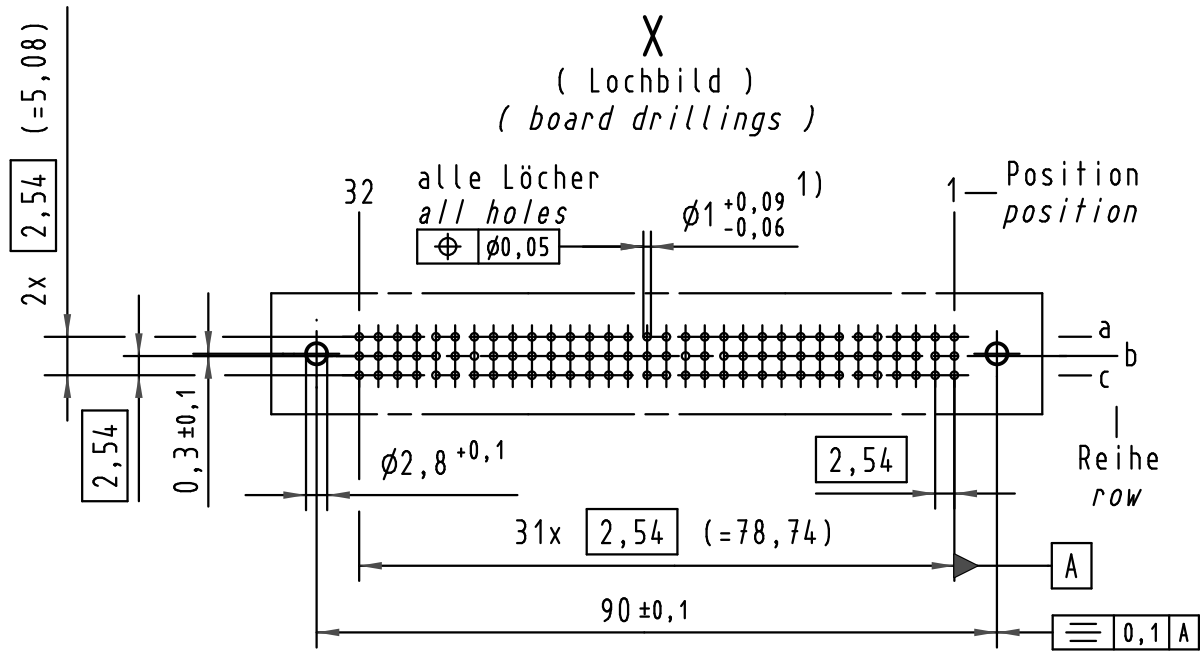
96 Einpreß-Kontakte
96 press-in-contacts

- ☒ = Einpreß-Kontakt
= press-in-contact
- = Kontaktposition nicht belegt
= position without contact

Z
2:1

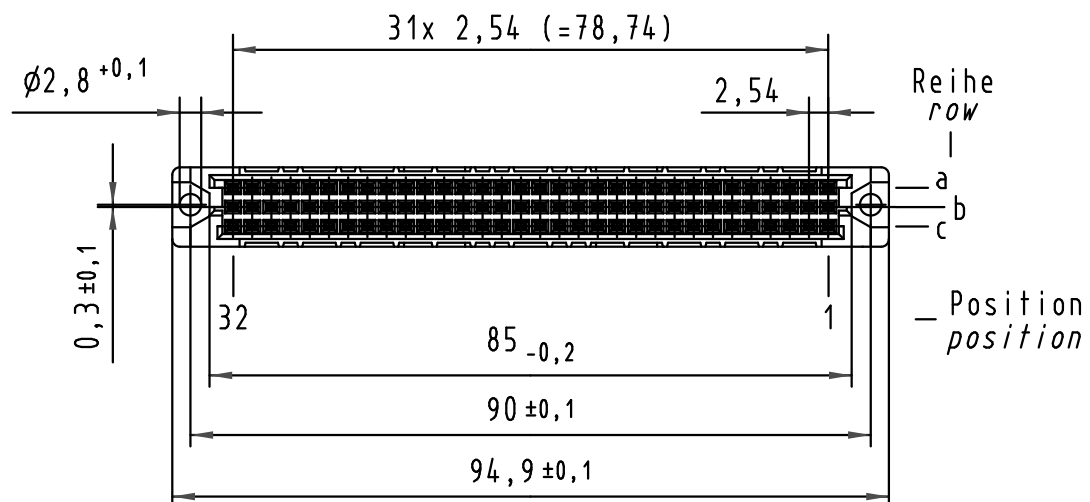
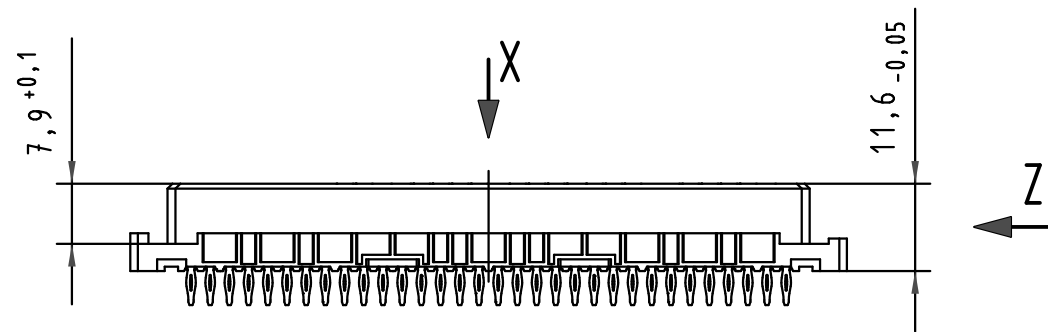


X
(Lochbild)
(board drillings)



1) Für Einpreßverbindung nach IEC 60352-5
1) for press-in connection acc. to IEC 60352-5

09 03 296 5850	-	min. 0,76 μm (30 μm) Au über/over min. 1,27 μm (50 μm) Ni
09 03 296 4850	-	min. 1,6 μm (64 μm) Au über/over min. 2,5 μm (100 μm) Ni
09 03 296 7850	3	Au über/over Ni
09 03 296 6850	2	Au über/over Ni
09 03 296 2850	1	Au über/over Ni
Bestell-Nr. part-no.	Anforderungsstufe nach IEC performance level acc. to IEC	Kontaktoberfläche contact plating



All Dimensions in mm Original Size DIN A 3			Techn. Character. IEC 60603-2			Nicht tolerierte Maß/Free size tolerances IEC 60603-2	
34158	19.01.07	LehT		Dat.	Name	1:1 2:1	har-bus C Federleiste Einpreß 4,5 , 96 pol. har-bus C female connector press-in 4,5 , 96 pol.
30816	21.02.02	Rie.	Detail.	21.05.97	Hm		
26080	01.09.99	Rie.	Insp.	21.05.97	Ko		
25071	22.10.98	Hm	Stand.				
22856	28.11.97	Hm					
21455			HARTING Electronics GmbH & Co. KG D-32339 ESPELKAMP				TB 09 03 296 x850
Mod.	Dat.	Name					