



Chipsmall Limited consists of a professional team with an average of over 10 year of expertise in the distribution of electronic components. Based in Hongkong, we have already established firm and mutual-benefit business relationships with customers from,Europe,America and south Asia,supplying obsolete and hard-to-find components to meet their specific needs.

With the principle of “Quality Parts,Customers Priority,Honest Operation,and Considerate Service”,our business mainly focus on the distribution of electronic components. Line cards we deal with include Microchip,ALPS,ROHM,Xilinx,Pulse,ON,Everlight and Freescale. Main products comprise IC,Modules,Potentiometer,IC Socket,Relay,Connector.Our parts cover such applications as commercial,industrial, and automotives areas.

We are looking forward to setting up business relationship with you and hope to provide you with the best service and solution. Let us make a better world for our industry!



## Contact us

Tel: +86-755-8981 8866 Fax: +86-755-8427 6832

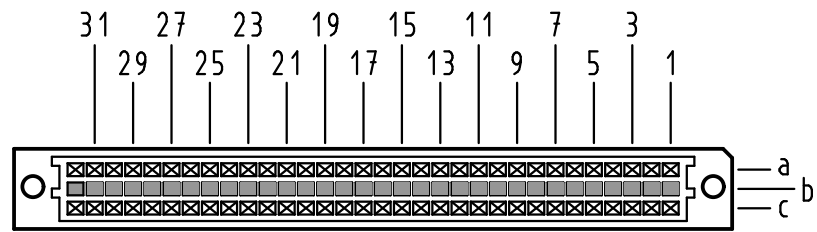
Email & Skype: info@chipsmall.com Web: www.chipsmall.com

Address: A1208, Overseas Decoration Building, #122 Zhenhua RD., Futian, Shenzhen, China



Alle Rechte vorbehalten/ All rights reserved

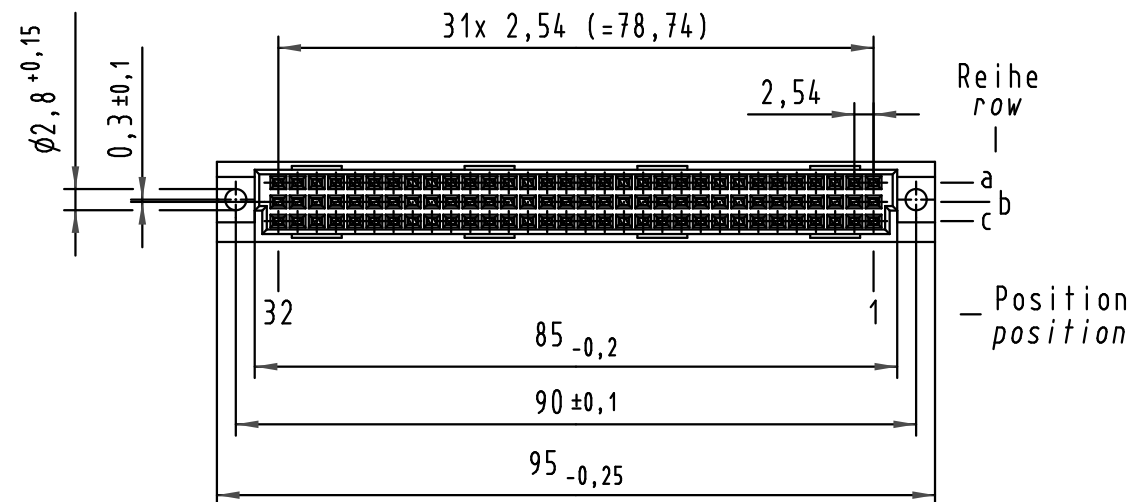
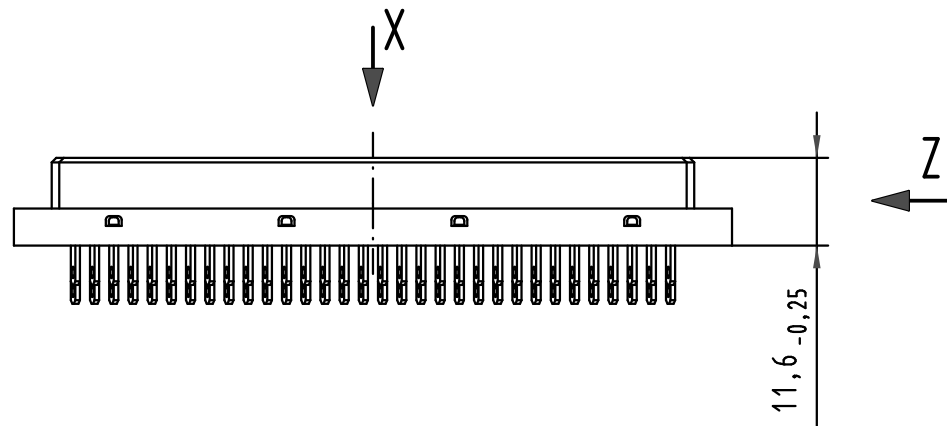
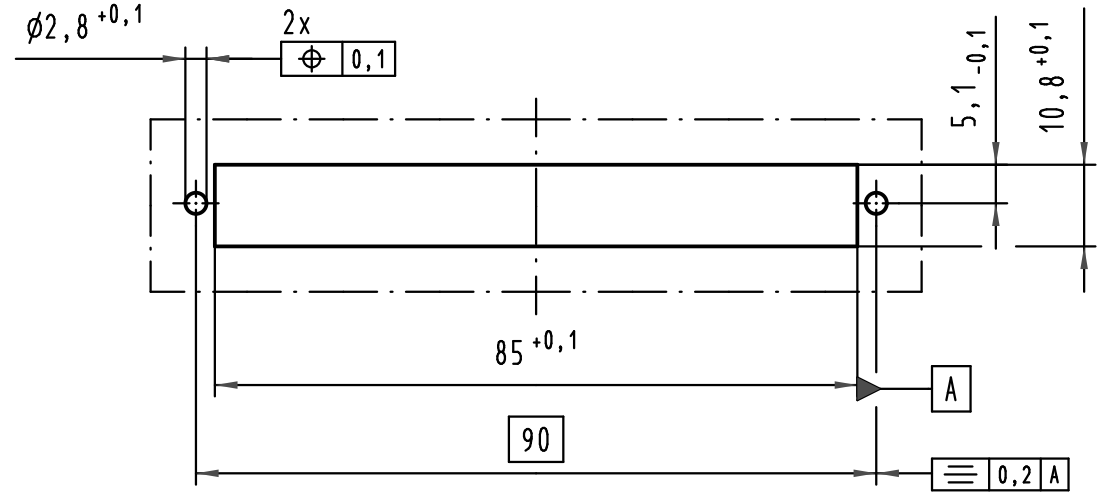
**X**  
Kontaktanordnung  
contact arrangement



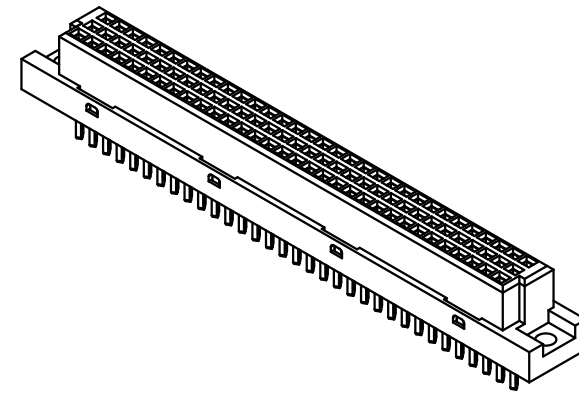
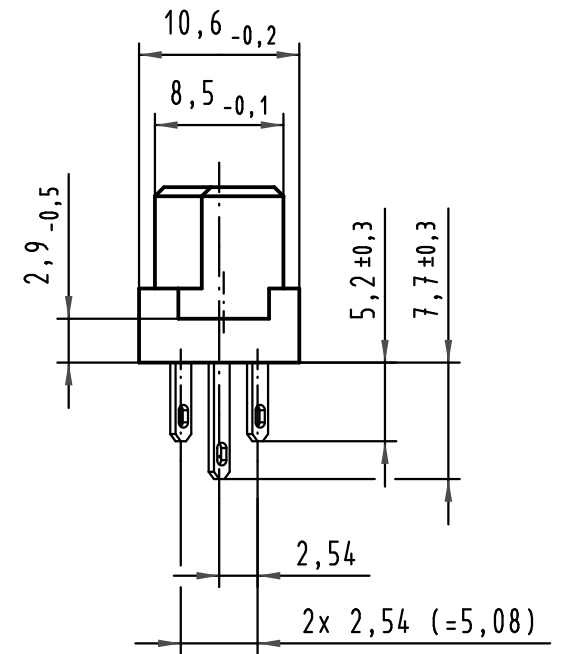
96 Signal Kontakte  
96 signal contacts

- ☒ = Position belegt mit Lötöse 5,2 mm  
= position with soldering-eye 5,2 mm
- = Position belegt mit Lötöse 7,7 mm  
= position with soldering-eye 7,7 mm
- = Kontaktposition nicht belegt  
= position without contact

**X**  
Montageausschnitt  
mounting cutout



**Z (2:1)**



① weitere Informationen siehe: DS 09 03 210 00 02  
further information see: DS 09 03 210 00 02

09 03 296 6823	2
09 03 296 2823	1
Bestell-Nr. part-no.	Anforderungsstufe performance level ①

All Dimensions in mm Original Size DIN A 3		Techn. Character.			Nicht tolerierte Maßel/Free size tolerances siehe / see IEC 60603-2	
			Dat.	Name	Maßstab/Scale <b>1:1</b>	Bauform C Federleiste, Lötöse 5,2/7,7 , 96 pol. type C female connector, soldering-eye 5,2/7,7 , 96 pol.
			Detail.	15.05.03 Hage.		
			Insp.	15.05.03 Sch.		
			Stand.			
36215	02.02.11	Hage.	HARTING Electronics GmbH & Co. KG			TB 09 03 296 x823
31433			D-32339 ESPELKAMP			
Mod.	Dat.	Name				Blatt/ page
			Sub.			