



Chipsmall Limited consists of a professional team with an average of over 10 year of expertise in the distribution of electronic components. Based in Hongkong, we have already established firm and mutual-benefit business relationships with customers from,Europe,America and south Asia,supplying obsolete and hard-to-find components to meet their specific needs.

With the principle of “Quality Parts,Customers Priority,Honest Operation,and Considerate Service”,our business mainly focus on the distribution of electronic components. Line cards we deal with include Microchip,ALPS,ROHM,Xilinx,Pulse,ON,Everlight and Freescale. Main products comprise IC,Modules,Potentiometer,IC Socket,Relay,Connector.Our parts cover such applications as commercial,industrial, and automotives areas.

We are looking forward to setting up business relationship with you and hope to provide you with the best service and solution. Let us make a better world for our industry!



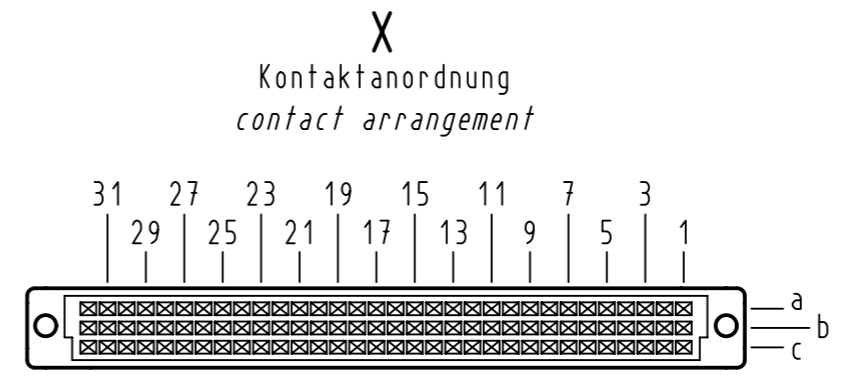
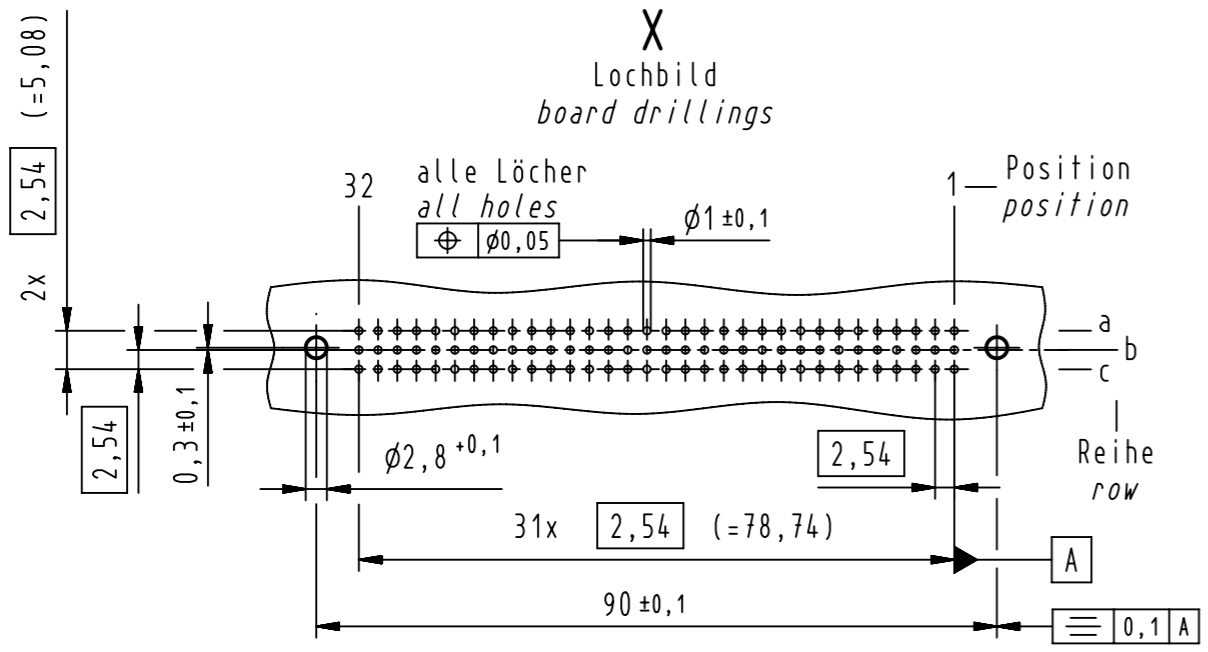
Contact us

Tel: +86-755-8981 8866 Fax: +86-755-8427 6832

Email & Skype: info@chipsmall.com Web: www.chipsmall.com

Address: A1208, Overseas Decoration Building, #122 Zhenhua RD., Futian, Shenzhen, China



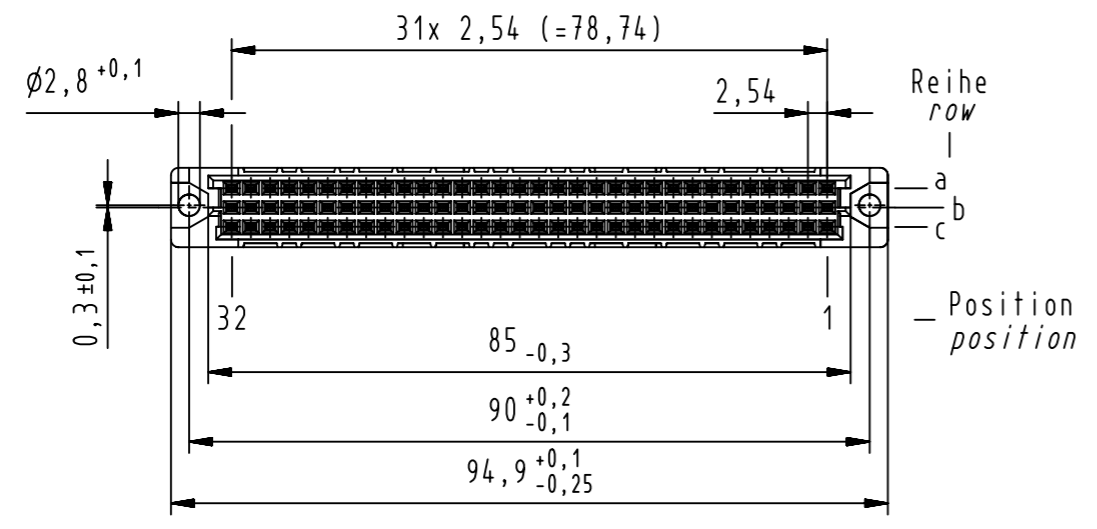
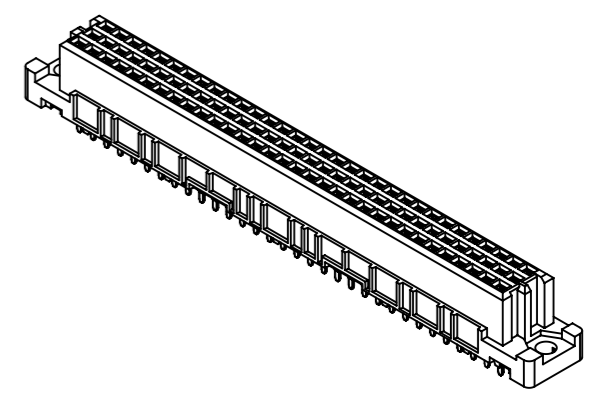
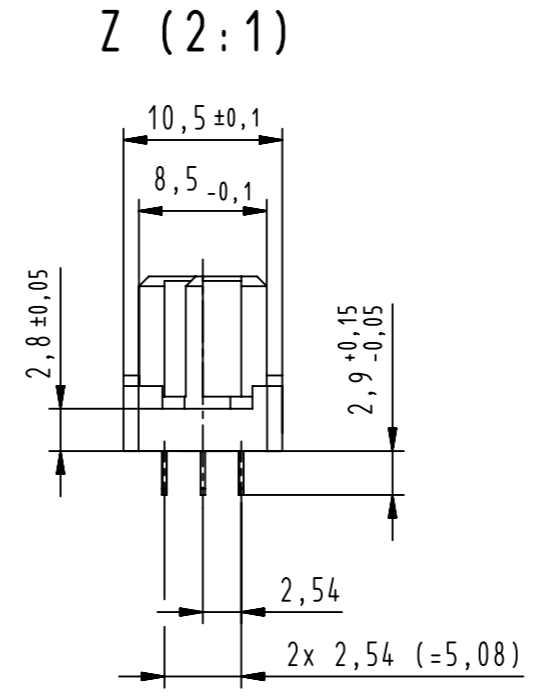
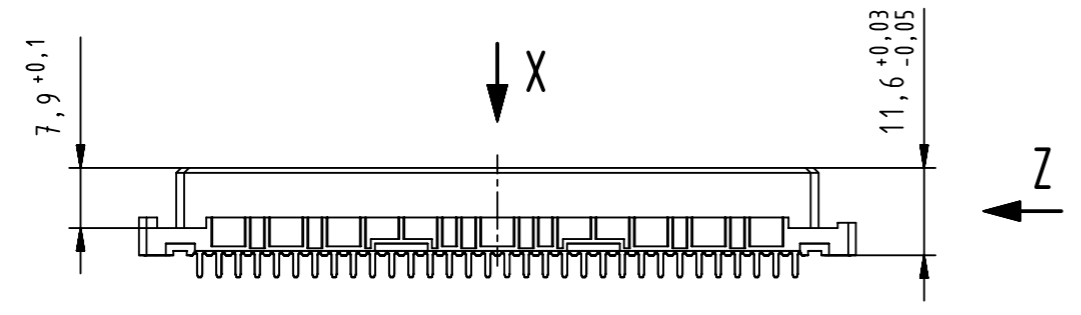


96 Einlöt Kontakte
96 solder contacts

☒ = Kontaktposition belegt
= position with contact

■ = kinked Einlöt Kontakt
= kinked solder contact

□ = Kontaktposition nicht belegt
= position without contact



① weitere Informationen siehe: DS 09 03 212 00 01
further information see: DS 09 03 212 00 01

09 03 296 6824 222	2
09 03 296 2824 222	1
Bestell-Nr. part-no.	Anforderungsstufe performance level ①

	All Dimensions in mm Original Size DIN A3	Scale 1:1	Free size tol. complementary IEC 60603-2	Ref. Sub.
All rights reserved	Created by LEHNERT	Inspected by TADJE	Standardisation HOFFMANN	Date 2013-01-10
Department EC PD - DE	Title DIN Signal type C female solder 2.9 NFF			State Final Release
HARTING Electronics GmbH D-32339 Espelkamp	Type TB	Number 0903296X824222	Doc-Key / ECM-Nr. 100173852/UGD/155/C 50000055974	Rev. C Page 1/1