



Chipsmall Limited consists of a professional team with an average of over 10 year of expertise in the distribution of electronic components. Based in Hongkong, we have already established firm and mutual-benefit business relationships with customers from,Europe,America and south Asia,supplying obsolete and hard-to-find components to meet their specific needs.

With the principle of “Quality Parts,Customers Priority,Honest Operation,and Considerate Service”,our business mainly focus on the distribution of electronic components. Line cards we deal with include Microchip,ALPS,ROHM,Xilinx,Pulse,ON,Everlight and Freescale. Main products comprise IC,Modules,Potentiometer,IC Socket,Relay,Connector.Our parts cover such applications as commercial,industrial, and automotives areas.

We are looking forward to setting up business relationship with you and hope to provide you with the best service and solution. Let us make a better world for our industry!



Contact us

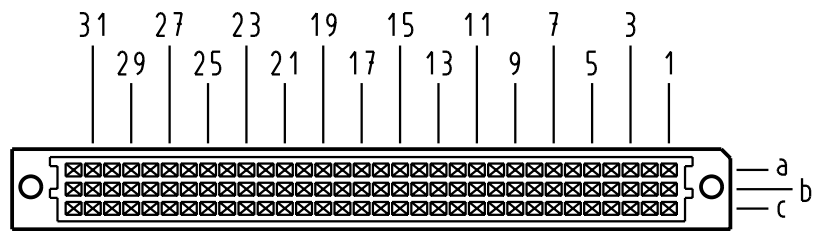
Tel: +86-755-8981 8866 Fax: +86-755-8427 6832

Email & Skype: info@chipsmall.com Web: www.chipsmall.com

Address: A1208, Overseas Decoration Building, #122 Zhenhua RD., Futian, Shenzhen, China



X
Kontaktanordnung
contact arrangement

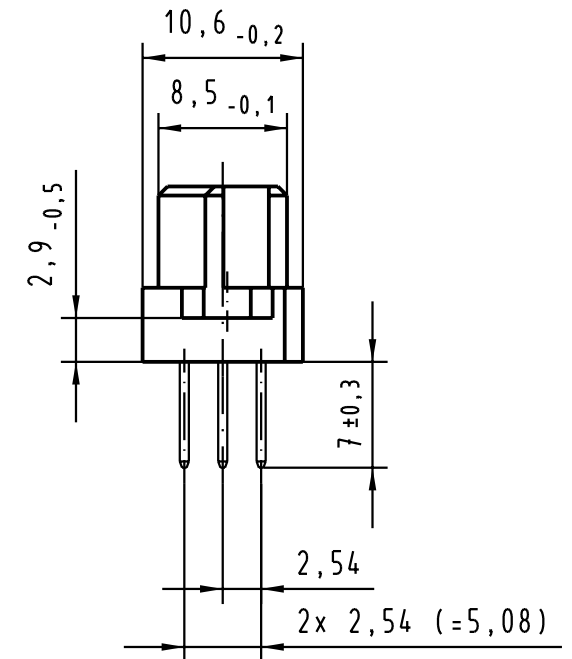


96 Signal Kontakte
96 signal contacts

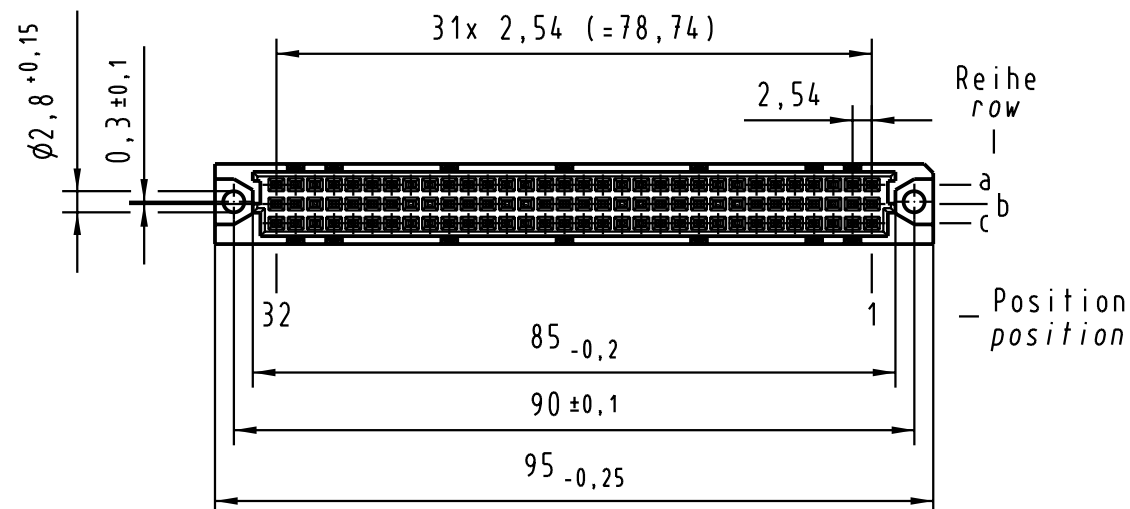
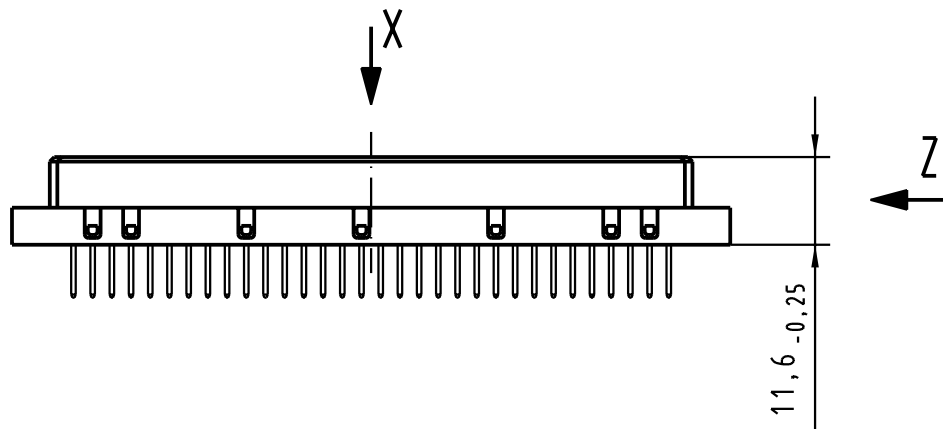
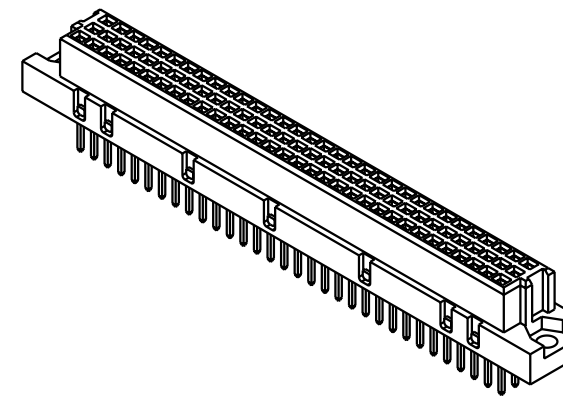
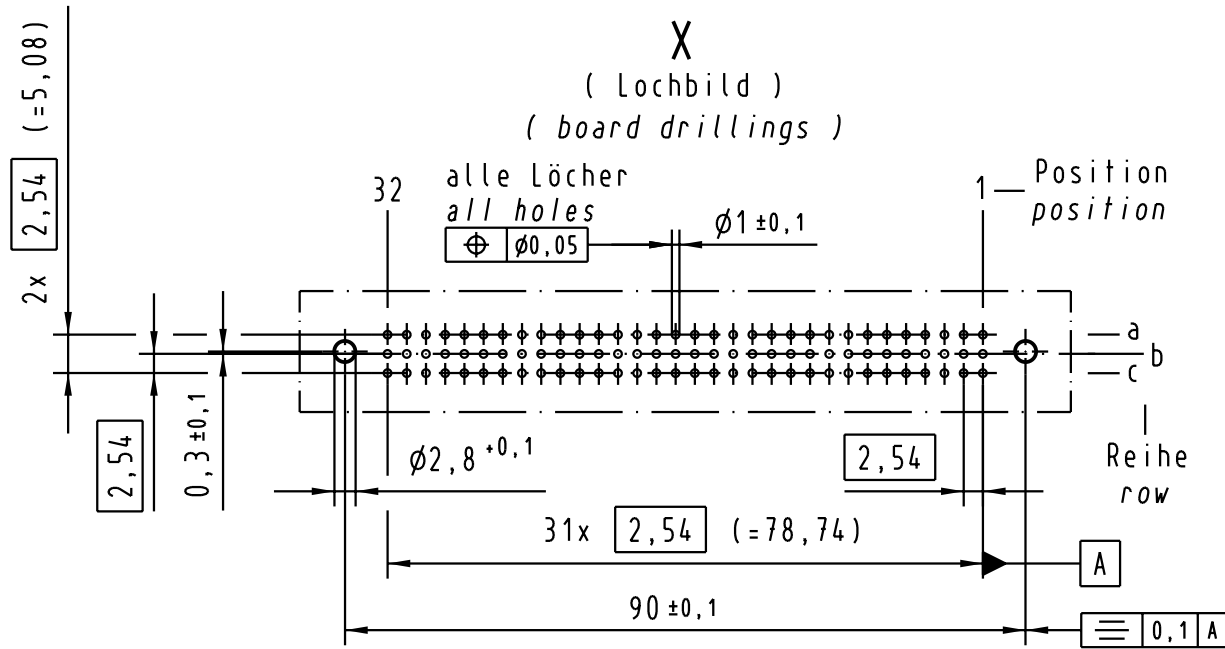
⊗ = Kontaktposition belegt
= position with contact

□ = Kontaktposition nicht belegt
= position without contact

Z
2:1



X
(Lochbild)
(board drillings)



09 03 296 6827	2	Au über/over PdNi
Bestell-Nr. part-no.	Anforderungsstufe nach IEC performance level per IEC	Kontaktoberfläche contact plating

	All Dimensions in mm Original Size DIN A 3			Techn. Character.		Nicht tolerierte Maßel Free size tolerances siehe / see IEC 60603-2	
						Maßstab/Scale 1:1 (2:1)	Bauform C Federleiste Einlöt 7,0 , 96 pol. type C female connector solder 7,0 , 96 pol.
31044			HARTING Electronics GmbH & Co. KG			TB 09 03 296 x827	Blatt / page Sub.
Mod.	Dat.	Name	D-32339 ESPELKAMP				