



Chipsmall Limited consists of a professional team with an average of over 10 year of expertise in the distribution of electronic components. Based in Hongkong, we have already established firm and mutual-benefit business relationships with customers from,Europe,America and south Asia,supplying obsolete and hard-to-find components to meet their specific needs.

With the principle of "Quality Parts,Customers Priority,Honest Operation,and Considerate Service",our business mainly focus on the distribution of electronic components. Line cards we deal with include Microchip,ALPS,ROHM,Xilinx,Pulse,ON,Everlight and Freescale. Main products comprise IC,Modules,Potentiometer,IC Socket,Relay,Connector.Our parts cover such applications as commercial,industrial, and automotives areas.

We are looking forward to setting up business relationship with you and hope to provide you with the best service and solution. Let us make a better world for our industry!



Contact us

Tel: +86-755-8981 8866 Fax: +86-755-8427 6832

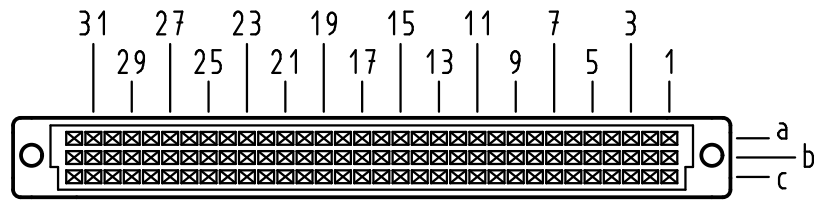
Email & Skype: info@chipsmall.com Web: www.chipsmall.com

Address: A1208, Overseas Decoration Building, #122 Zhenhua RD., Futian, Shenzhen, China



Alle Rechte vorbehalten/ All rights reserved

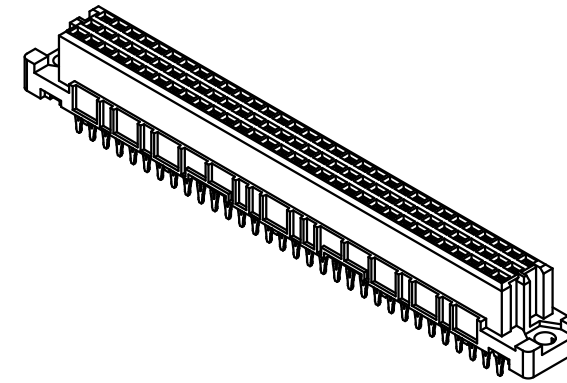
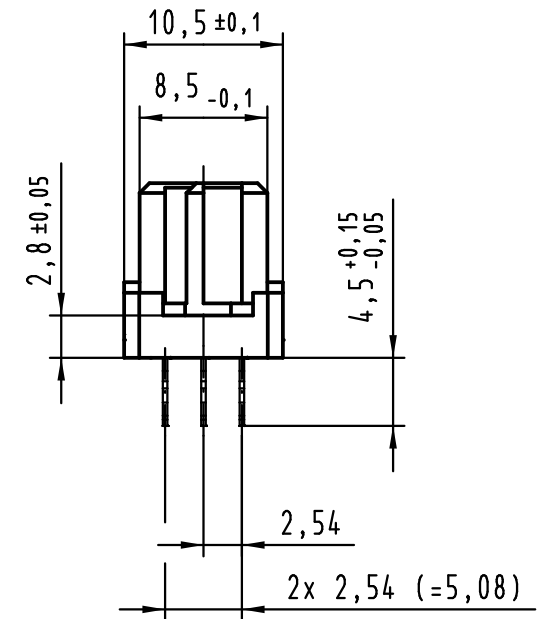
X
Kontaktanordnung
contact arrangement



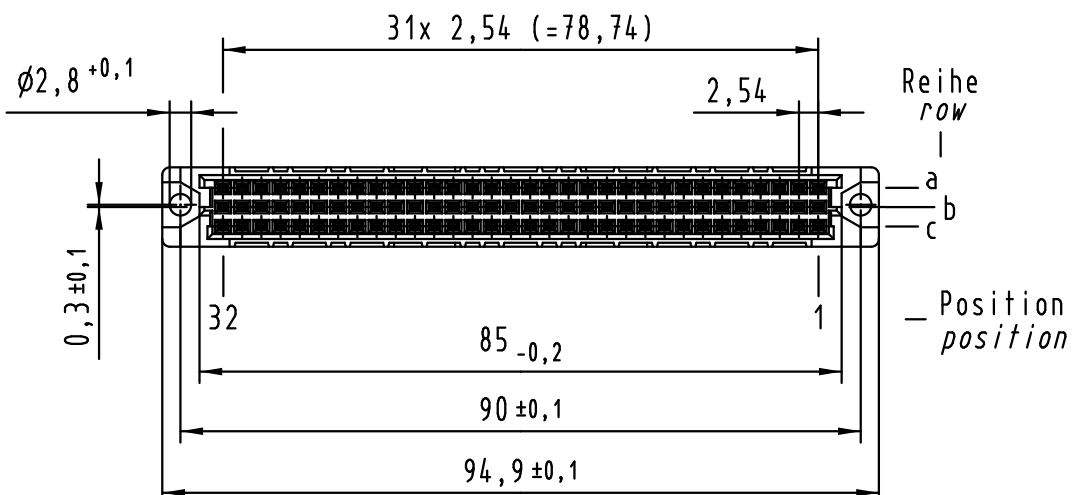
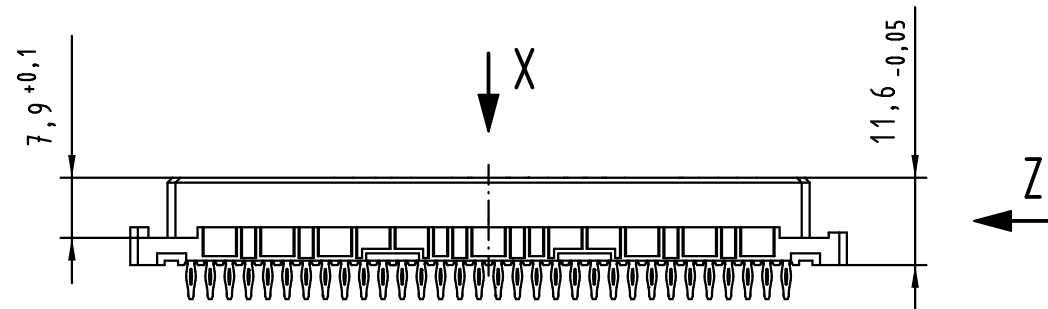
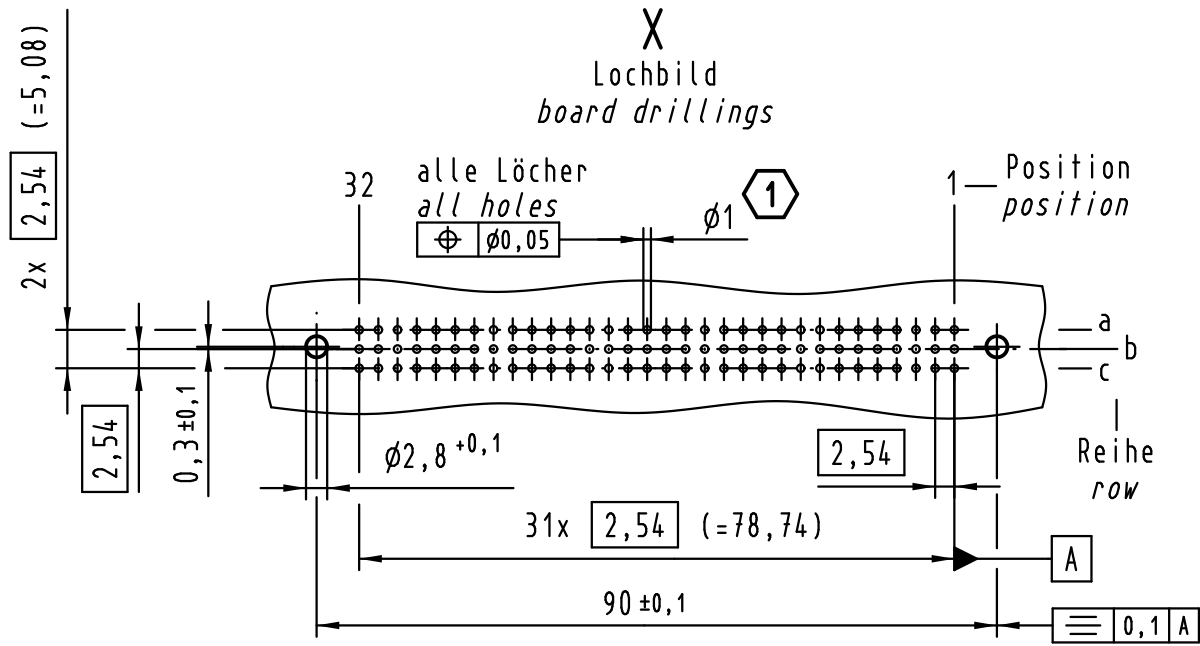
96 Einpress-Kontakte
96 press-in-contacts

- ☒ = Einpress-Kontakt
= press-in-contact
- = Kontaktposition nicht belegt
= position without contact

Z (2:1)



X
Lochbild
board drillings



Empfohlener Lochaufbau und weitere Informationen siehe: DS 09 03 210 00 01
recommended configuration of plated through holes and further information see: DS 09 03 210 00 01

09 03 296 7850	3
09 03 296 6850	2
09 03 296 2850	1
Bestell-Nr. part-no.	Anforderungsstufe performance level 1

All Dimensions in mm Original Size DIN A 3			Techn. Character.				Nicht tolerierte Maßel Free size tolerances IEC 60603-2
Mod.	Dat.	Name	Dat.	Name	Maßstab/Scale		
36400	05.07.11	Hage.			1:1	har-bus C Federleiste Einpress 4,5 , 96 pol. har-bus C female connector press-in 4,5 , 96 pol.	
34158	19.01.07	LehT	Detail.	21.05.97			Hm
30816	21.02.02	Rie.	Insp.	21.05.97			Ko
26080	01.09.99	Rie.	Stand.				
25071	22.10.98	Hm					
22856	28.11.97	Hm					
HARTING Electronics GmbH & Co. KG D-32339 ESPELKAMP							TB 09 03 296 x850
						Sub.	Blatt/ page