



Chipsmall Limited consists of a professional team with an average of over 10 year of expertise in the distribution of electronic components. Based in Hongkong, we have already established firm and mutual-benefit business relationships with customers from,Europe,America and south Asia,supplying obsolete and hard-to-find components to meet their specific needs.

With the principle of “Quality Parts,Customers Priority,Honest Operation,and Considerate Service”,our business mainly focus on the distribution of electronic components. Line cards we deal with include Microchip,ALPS,ROHM,Xilinx,Pulse,ON,Everlight and Freescale. Main products comprise IC,Modules,Potentiometer,IC Socket,Relay,Connector.Our parts cover such applications as commercial,industrial, and automotives areas.

We are looking forward to setting up business relationship with you and hope to provide you with the best service and solution. Let us make a better world for our industry!



Contact us

Tel: +86-755-8981 8866 Fax: +86-755-8427 6832

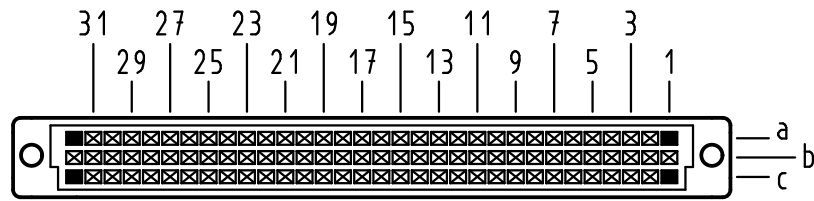
Email & Skype: info@chipsmall.com Web: www.chipsmall.com

Address: A1208, Overseas Decoration Building, #122 Zhenhua RD., Futian, Shenzhen, China



Alle Rechte vorbehalten/ All rights reserved

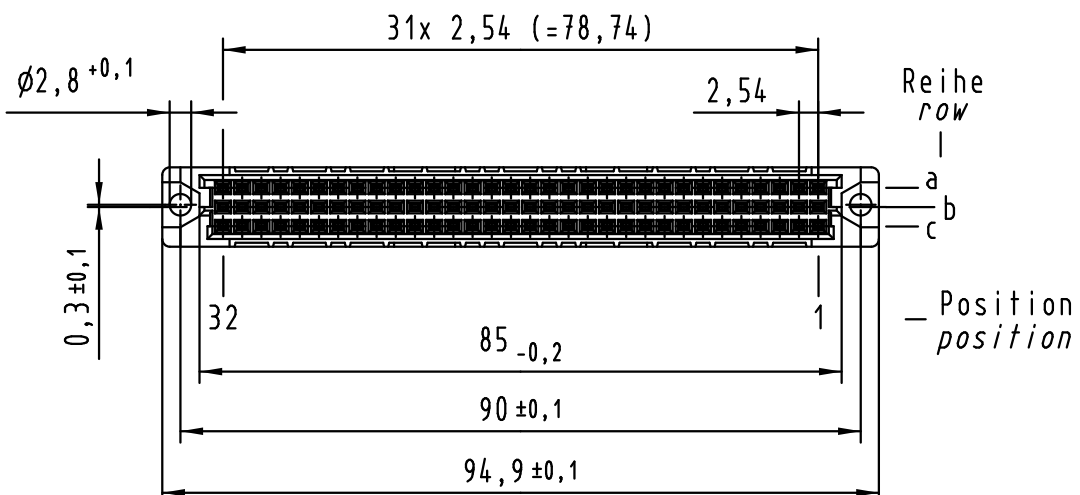
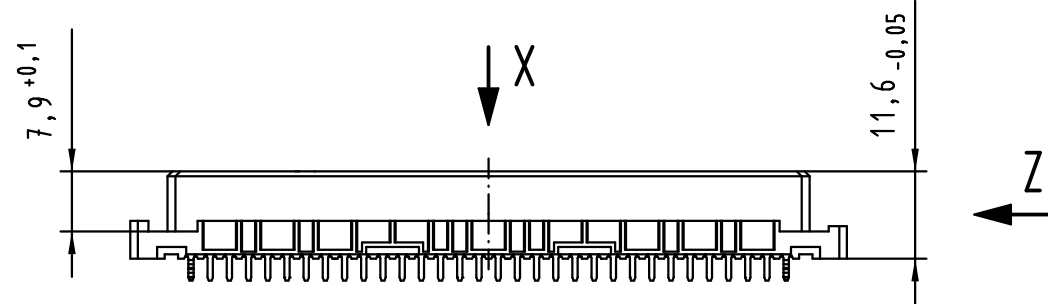
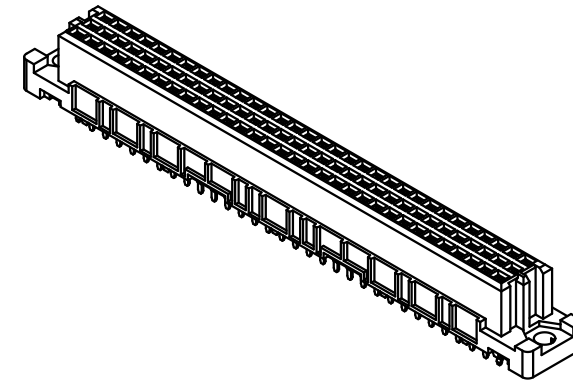
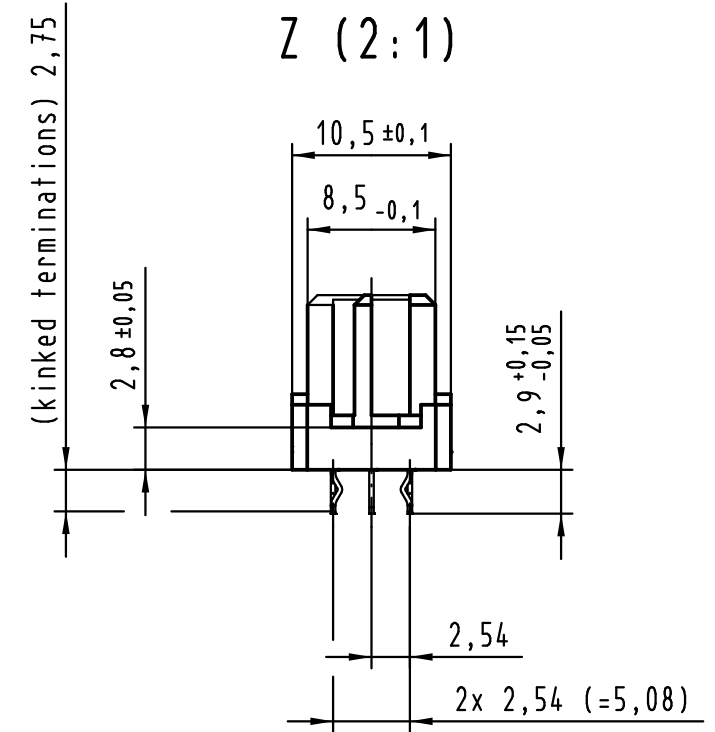
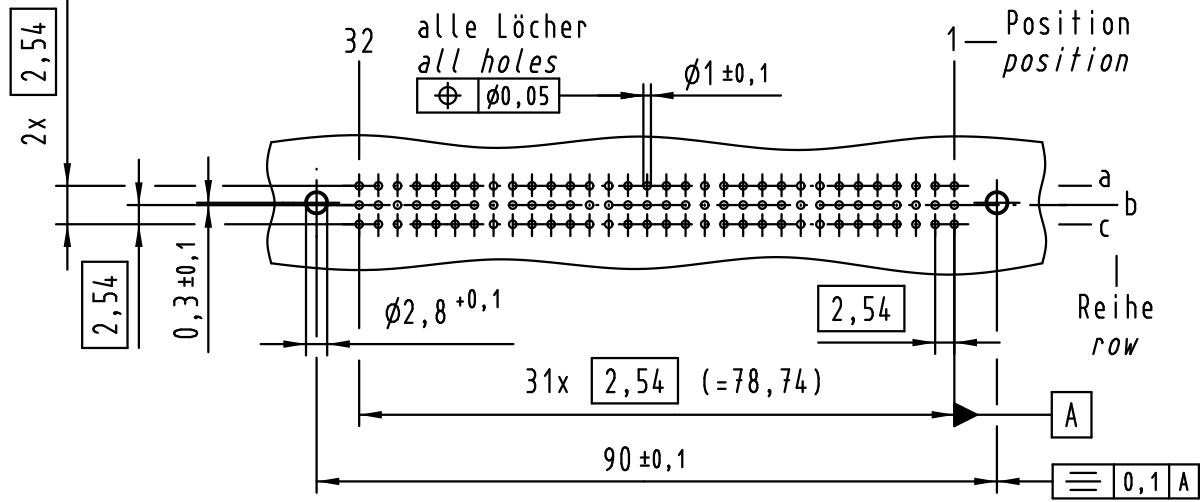
X
Kontaktanordnung
contact arrangement



92 Einlöt-Kontakte
4 kinked Einlöt-Kontakte
92 solder-contacts
4 kinked solder-contacts

- ☒ = Einlöt-Kontakt
= solder-contact
- = kinked Einlöt-Kontakt
= kinked solder-contact
- = Kontaktposition nicht belegt
= position without contact

X
Lochbild
board drillings



① weitere Informationen siehe: DS 09 03 210 00 01
further information see: DS 09 03 210 00 01

09 03 296 7855	3
09 03 296 6855	2
09 03 296 2855	1
Bestell-Nr. part-no.	Anforderungsstufe performance level ①

All Dimensions in mm Original Size DIN A 3			Techn. Character.			Nicht tolerierte Maße/Free size tolerances IEC 60603-2	
Mod.	Dat.	Name	Dat.	Name	Maßstab/Scale	har-bus C Federleiste kinked Einlöt 2,9 , 96 pol. har-bus C female connector kinked solder 2,9 , 96 pol.	
36400	06.07.11	Hage.	Detail.	06.08.99	Hm		
34158	19.01.07	LehT	Insp.	06.08.99	Pa.		
30816	21.02.02	Rie.	Stand.				
26095			HARTING Electronics GmbH & Co. KG D-32339 ESPELKAMP			TB 09 03 296 x855	Blatt/ page
			Sub.				