



Chipsmall Limited consists of a professional team with an average of over 10 year of expertise in the distribution of electronic components. Based in Hongkong, we have already established firm and mutual-benefit business relationships with customers from,Europe,America and south Asia,supplying obsolete and hard-to-find components to meet their specific needs.

With the principle of "Quality Parts,Customers Priority,Honest Operation,and Considerate Service",our business mainly focus on the distribution of electronic components. Line cards we deal with include Microchip,ALPS,ROHM,Xilinx,Pulse,ON,Everlight and Freescale. Main products comprise IC,Modules,Potentiometer,IC Socket,Relay,Connector.Our parts cover such applications as commercial,industrial, and automotives areas.

We are looking forward to setting up business relationship with you and hope to provide you with the best service and solution. Let us make a better world for our industry!



Contact us

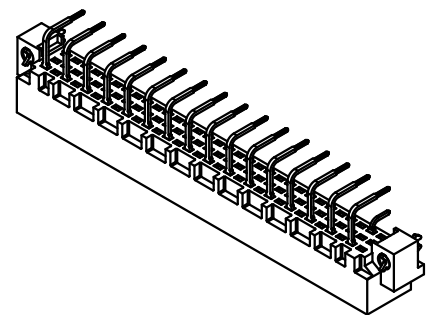
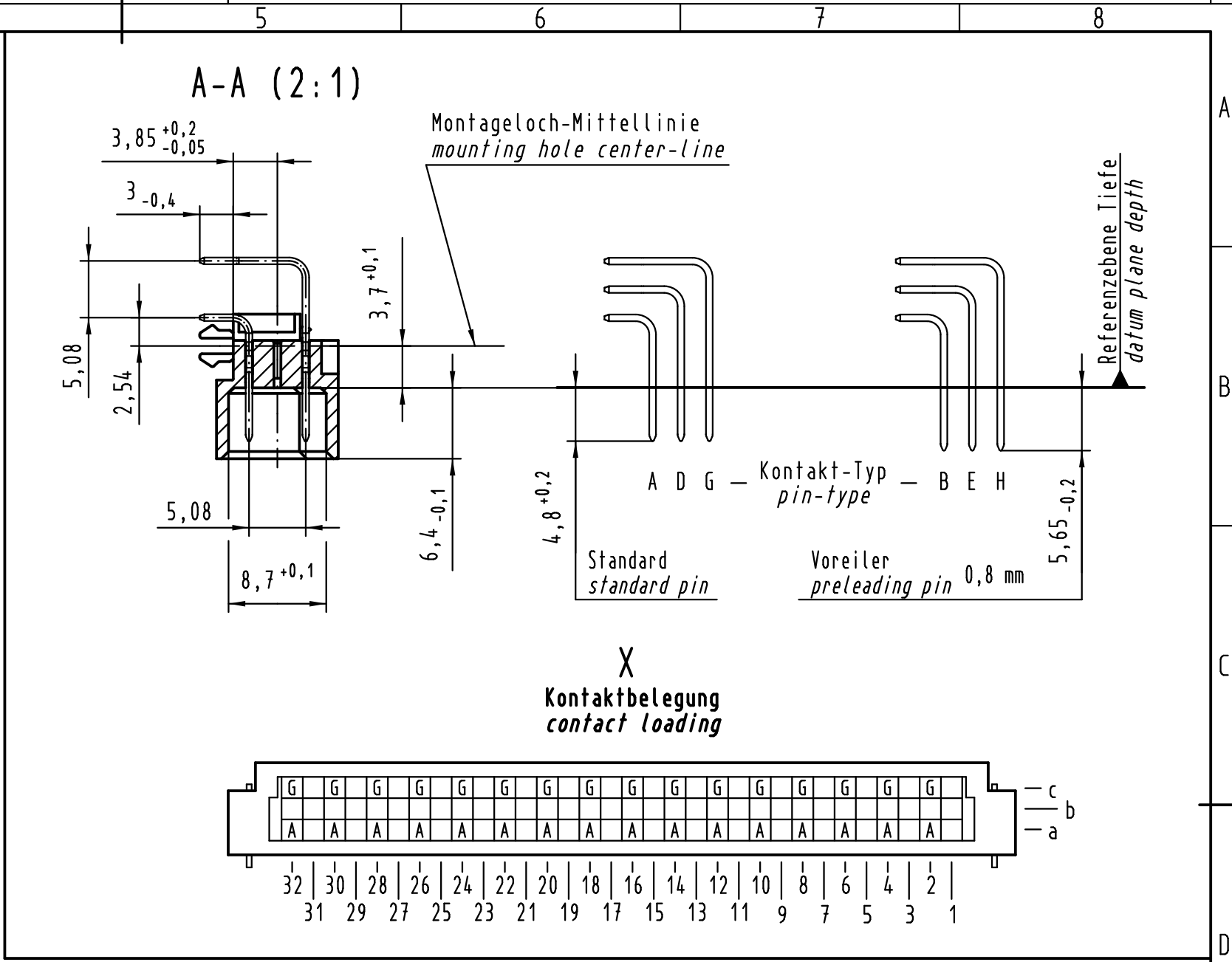
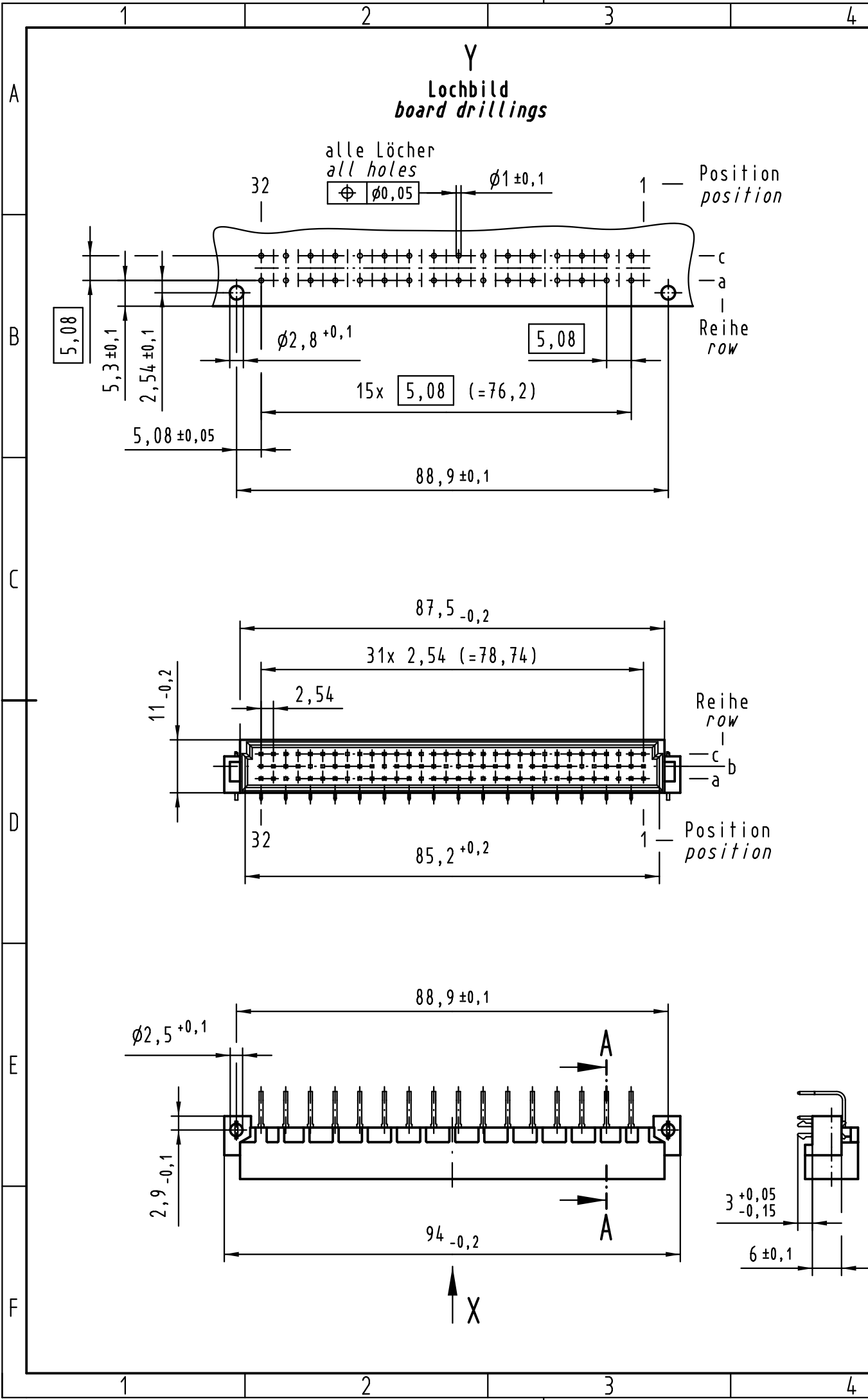
Tel: +86-755-8981 8866 Fax: +86-755-8427 6832

Email & Skype: info@chipsmall.com Web: www.chipsmall.com

Address: A1208, Overseas Decoration Building, #122 Zhenhua RD., Futian, Shenzhen, China



Alle Rechte vorbehalten/ All rights reserved



① weitere Informationen siehe: DS 09 03 120 02 01
further information see: DS 09 03 120 02 01

09 03 332 7921	3
09 03 332 6921	2
09 03 332 2921	1
Bestell-Nr. part-no.	Anforderungsstufe performance level ①

All Dimensions in mm Original Size DIN A 3			Techn. Character.		
Mod.	Dat.	Name	Dat.	Name	Maßstab/Scale
36471	13.03.12	Hage.	Detail.	16.06.00 Rie.	1:1
35345	21.10.08	Hage.	Insp.	16.06.00 Be.	
34650	03.12.07	Hage.	Stand.		
27481			HARTING Electronics GmbH & Co. KG D-32339 ESPELKAMP		

Nicht tolerierte Maße/Free size tolerances IEC 60603-2	
Bauform / type C	
Messerleiste Einlöt mit Clip 32-polig male connector solder with clip 32-pole	
TB 09 03 332 x921	Blatt/ page
Sub.	