



Chipsmall Limited consists of a professional team with an average of over 10 year of expertise in the distribution of electronic components. Based in Hongkong, we have already established firm and mutual-benefit business relationships with customers from,Europe,America and south Asia,supplying obsolete and hard-to-find components to meet their specific needs.

With the principle of “Quality Parts,Customers Priority,Honest Operation,and Considerate Service”,our business mainly focus on the distribution of electronic components. Line cards we deal with include Microchip,ALPS,ROHM,Xilinx,Pulse,ON,Everlight and Freescale. Main products comprise IC,Modules,Potentiometer,IC Socket,Relay,Connector.Our parts cover such applications as commercial,industrial, and automotives areas.

We are looking forward to setting up business relationship with you and hope to provide you with the best service and solution. Let us make a better world for our industry!



## Contact us

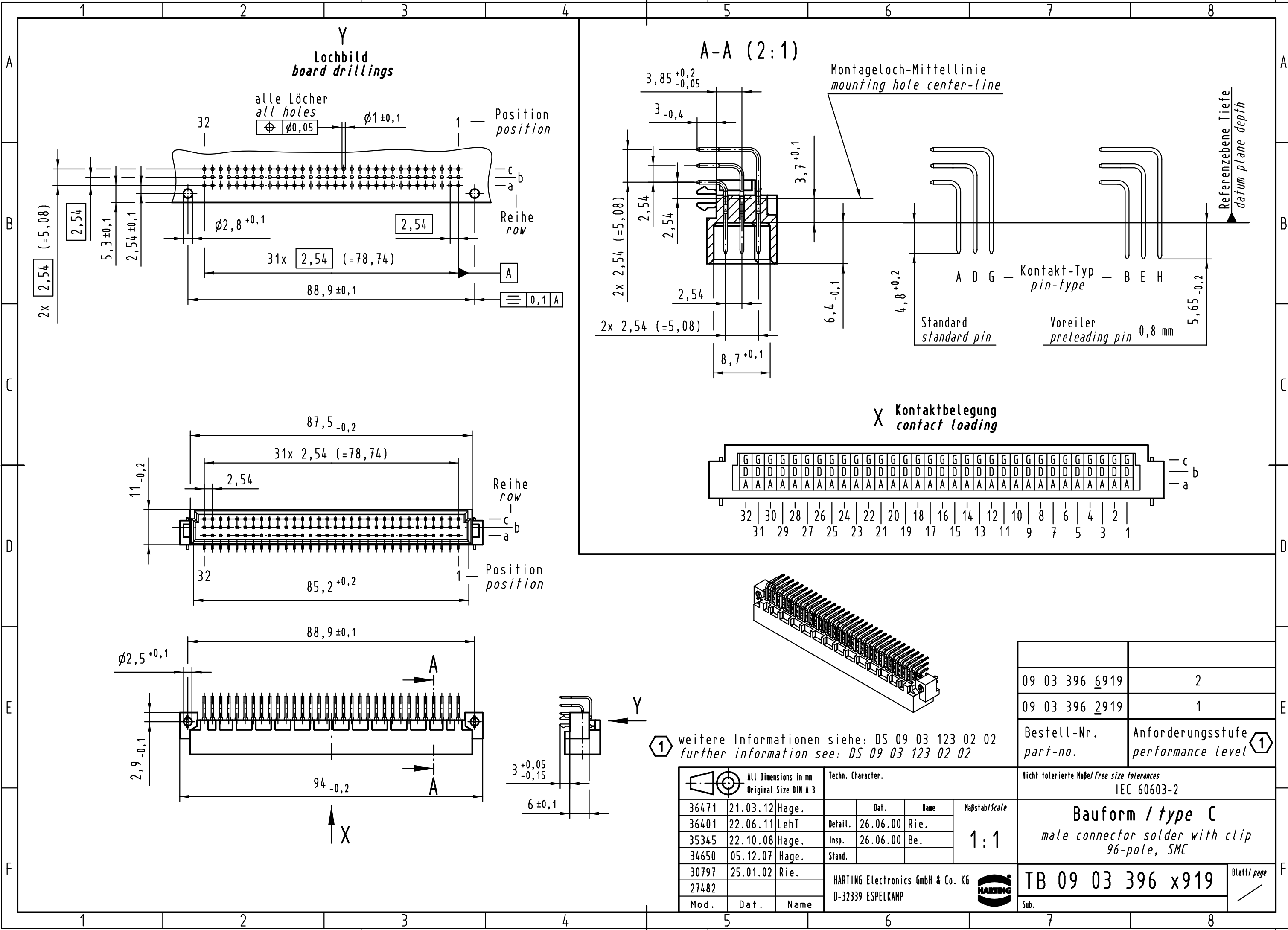
Tel: +86-755-8981 8866 Fax: +86-755-8427 6832

Email & Skype: info@chipsmall.com Web: www.chipsmall.com

Address: A1208, Overseas Decoration Building, #122 Zhenhua RD., Futian, Shenzhen, China



Alle Rechte vorbehalten/ All rights reserved



**Y**  
Lochbild  
board drillings

**A-A (2:1)**

**X** Kontaktbelegung  
contact loading

alle Löcher  
all holes  
 $\phi 0,05$   $\phi 1 \pm 0,1$

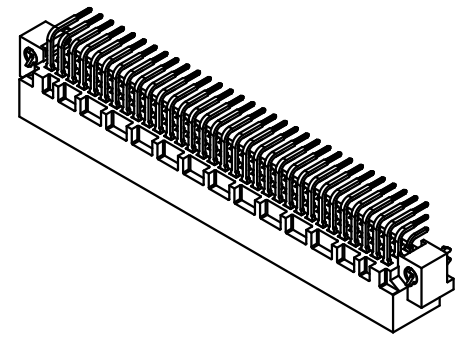
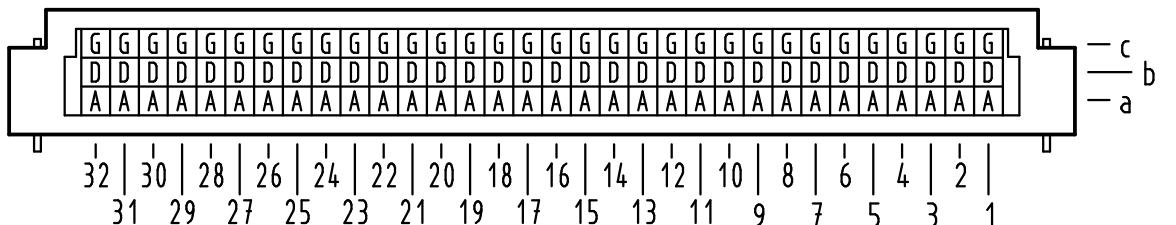
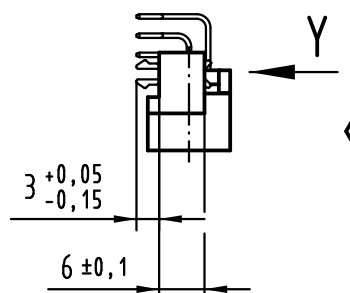
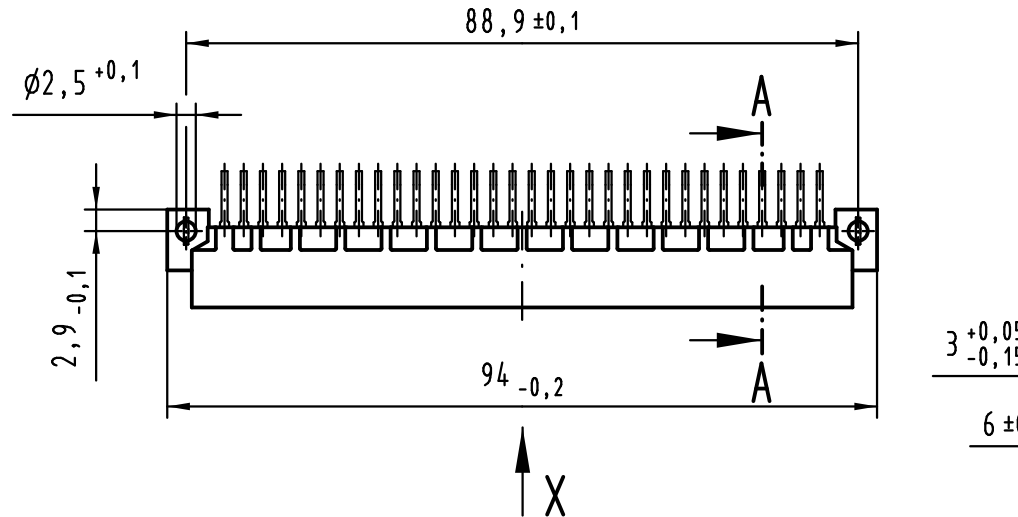
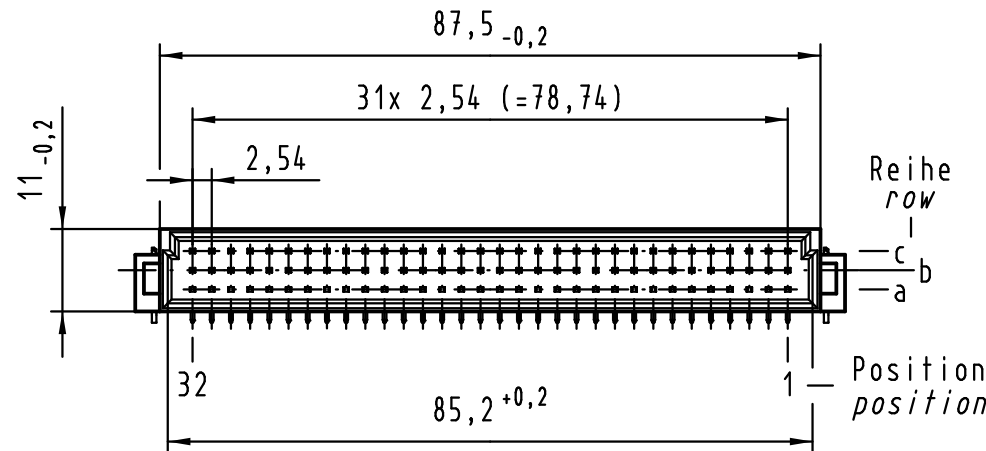
Montageloch-Mittellinie  
mounting hole center-line

Referenzebene Tiefe  
datum plane depth

A D G - Kontakt-Typ  
pin-type - B E H

Standard  
standard pin

Voreiler  
preleading pin 0,8 mm



① weitere Informationen siehe: DS 09 03 123 02 02  
further information see: DS 09 03 123 02 02

All Dimensions in mm Original Size DIN A 3			Techn. Character.			Maßstab/Scale <b>1:1</b>
Mod.	Dat.	Name		Dat.	Name	
36471	21.03.12	Hage.				
36401	22.06.11	LehT	Detail.	26.06.00	Rie.	
35345	22.10.08	Hage.	Insp.	26.06.00	Be.	
34650	05.12.07	Hage.	Stand.			
30797	25.01.02	Rie.				
27482						
			HARTING Electronics GmbH & Co. KG D-32339 ESPELKAMP			

09 03 396 6919	2
09 03 396 2919	1
Bestell-Nr. part-no.	Anforderungsstufe performance level ①

Nicht tolerierte Maßel/Free size tolerances IEC 60603-2	
<b>Bauform / type C</b> male connector solder with clip 96-pole, SMC	
TB 09 03 396 x919	Blatt/ page
Sub.	

