



Chipsmall Limited consists of a professional team with an average of over 10 year of expertise in the distribution of electronic components. Based in Hongkong, we have already established firm and mutual-benefit business relationships with customers from,Europe,America and south Asia,supplying obsolete and hard-to-find components to meet their specific needs.

With the principle of “Quality Parts,Customers Priority,Honest Operation,and Considerate Service”,our business mainly focus on the distribution of electronic components. Line cards we deal with include Microchip,ALPS,ROHM,Xilinx,Pulse,ON,Everlight and Freescale. Main products comprise IC,Modules,Potentiometer,IC Socket,Relay,Connector.Our parts cover such applications as commercial,industrial, and automotives areas.

We are looking forward to setting up business relationship with you and hope to provide you with the best service and solution. Let us make a better world for our industry!



Contact us

Tel: +86-755-8981 8866 Fax: +86-755-8427 6832

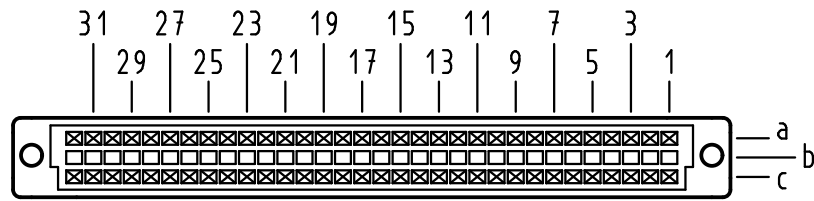
Email & Skype: info@chipsmall.com Web: www.chipsmall.com

Address: A1208, Overseas Decoration Building, #122 Zhenhua RD., Futian, Shenzhen, China



Alle Rechte vorbehalten/ All rights reserved

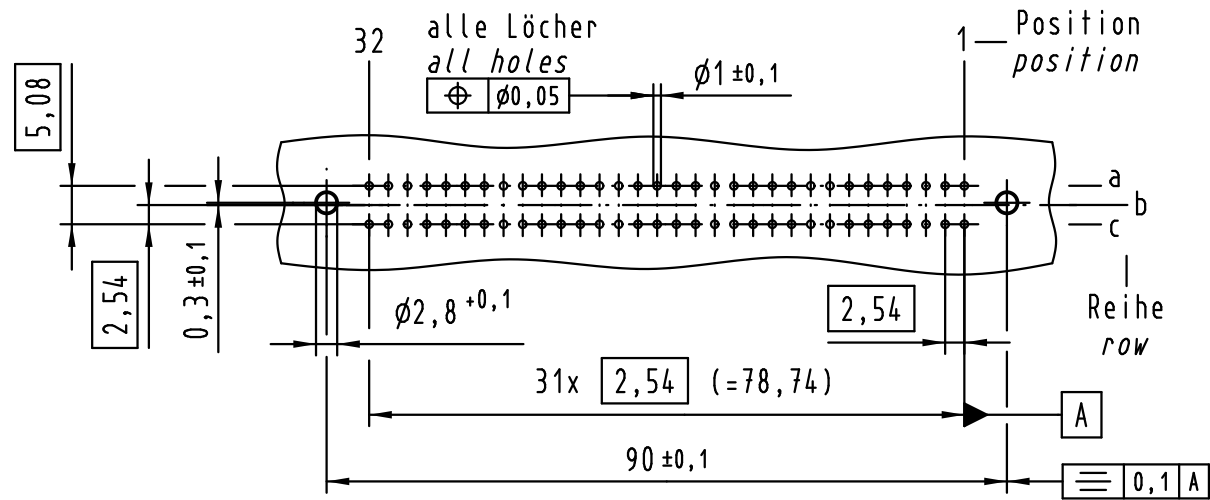
X
Kontaktanordnung
contact arrangement



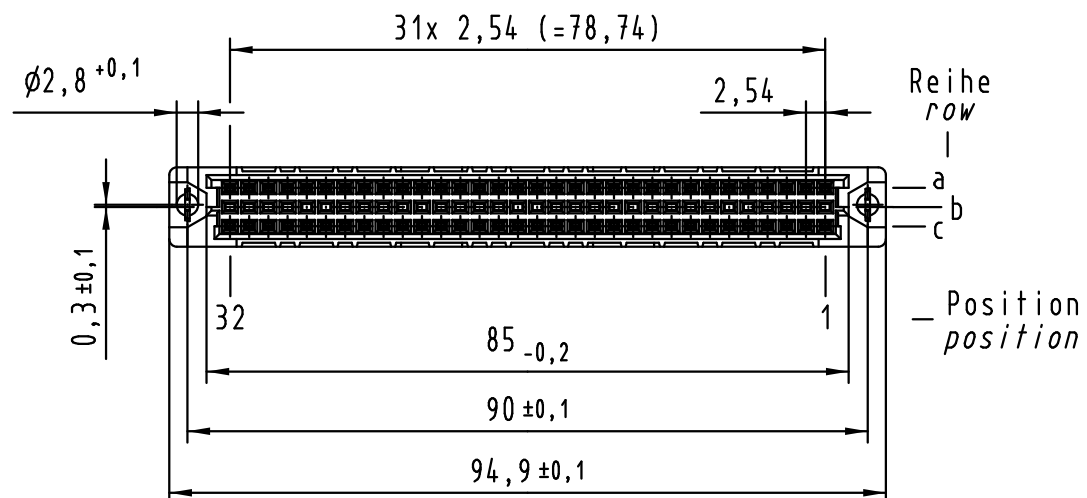
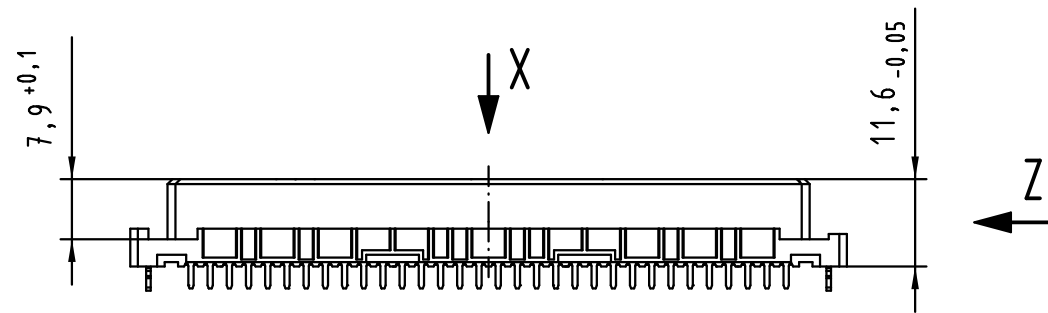
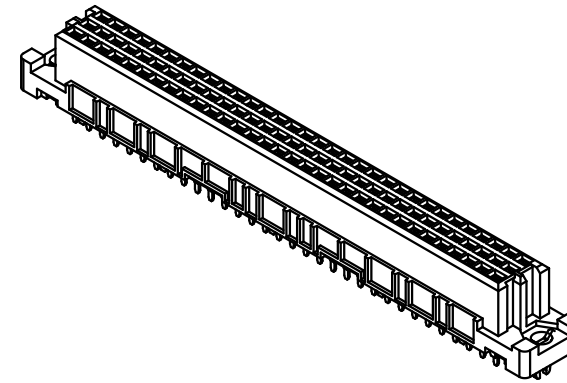
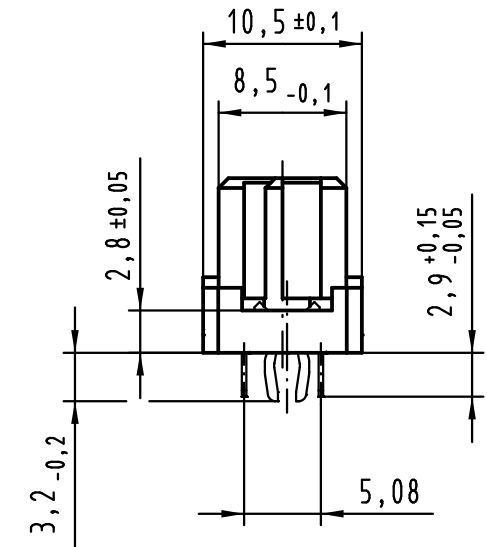
64 Einlöt-Kontakte
64 solder-contacts

- ☒ = Einlöt-Kontakt
= solder-contact
- = Kontaktposition nicht belegt
= position without contact

X
Lochbild
board drillings



Z (2:1)



① weitere Informationen siehe: DS 09 03 210 00 01
further information see: DS 09 03 210 00 01

09 03 464 7824	3
09 03 464 6824	2
09 03 464 2824	1
Bestell-Nr. part-no.	Anforderungsstufe performance level ①

All Dimensions in mm Original Size DIN A 3			Techn. Character.			Nicht tolerierte Maßel/Free size tolerances IEC 60603-2	
Mod.	Dat.	Name		Dat.	Name	Maßstab/Scale 1:1	har-bus C Federleiste mit Clip Einlöt 2,9 , 64 pol. har-bus C female connector with clip solder 2,9 , 64 pol.
36400	07.07.11	Hage.	Detail.	09.09.99	Rie.		
34158	22.01.07	LehT	Insp.	09.09.99	Pa.		
30817	21.02.02	Rie.	Stand.				
27609	15.03.00	Rie.					
26084							
HARTING Electronics GmbH & Co. KG D-32339 ESPELKAMP							TB 09 03 464 x824 Blatt/ page Sub.