



Chipsmall Limited consists of a professional team with an average of over 10 year of expertise in the distribution of electronic components. Based in Hongkong, we have already established firm and mutual-benefit business relationships with customers from,Europe,America and south Asia,supplying obsolete and hard-to-find components to meet their specific needs.

With the principle of “Quality Parts,Customers Priority,Honest Operation,and Considerate Service”,our business mainly focus on the distribution of electronic components. Line cards we deal with include Microchip,ALPS,ROHM,Xilinx,Pulse,ON,Everlight and Freescale. Main products comprise IC,Modules,Potentiometer,IC Socket,Relay,Connector.Our parts cover such applications as commercial,industrial, and automotives areas.

We are looking forward to setting up business relationship with you and hope to provide you with the best service and solution. Let us make a better world for our industry!



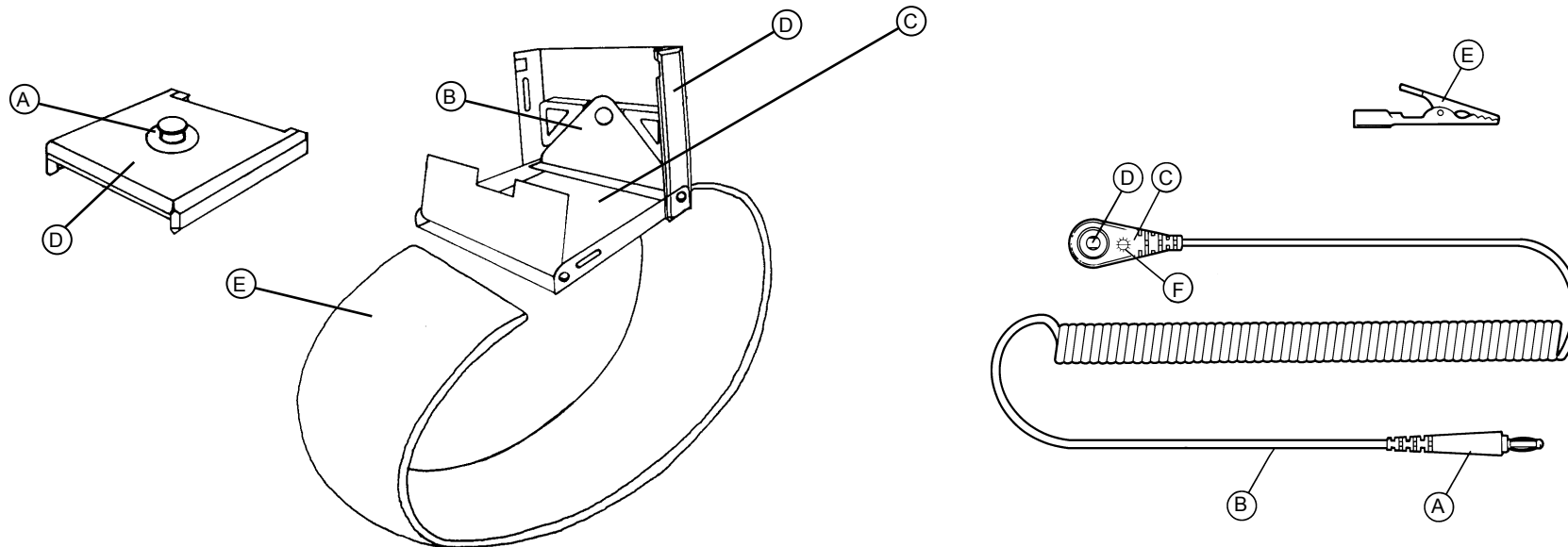
Contact us

Tel: +86-755-8981 8866 Fax: +86-755-8427 6832

Email & Skype: info@chipsmall.com Web: www.chipsmall.com

Address: A1208, Overseas Decoration Building, #122 Zhenhua RD., Futian, Shenzhen, China





WRIST STRAP:

- A. 4mm stud, to fit 4mm spring loaded medical snap socket.
- B. Easy to open plastic clasp secures elastic material in place, and allows the user to easily adjust the wrist band size. Maintains electrical continuity even when open.
- C. Non-allergenic stainless steel base plate, provides excellent skin contact, for superior grounding.
- D. Insulating cap, thermoplastic.
- E. Soft elastic band.

GROUND CORD:

- A. Barrel type banana plug. Fits industry standard banana jack .166 in. (4.22mm).
- B. Metallized, high flex tinsel, black jacket.
- C. One megohm, 1/4 watt, series resistor, molded within snap assembly, limits current for operator safety.
- D. Spring loaded 4mm snap socket.
- E. Alligator clip included in kit only. It is available separately as item 09700.
- F. Date coded with date of manufacture.

ITEM	DESCRIPTION
09035	Band Only
09037	Cord Only, 6'
09039	Band with 6' Coil Cord and Alligator Clip
09040	Cord Only, 10'

The color of the band material may vary.

WRIST STRAP KIT, ELASTIC, ADJUSTABLE, ECONOMY

DESCO

DESCO WEST: 3651 WALNUT AVE., CHINO, CA 91710 WEB SITE: Desco.com
 PHONE (909) 627-8178 FAX (909) 627-7449 FAX REQUEST (909) 627-7126
 DESC0 EAST: ONE COLGATE WAY, CANTON, MA 02021-1407
 PHONE (781) 821-8370 FAX (781) 575-0172

**DRAWING
NUMBER**
09039

DATE:
February
2010