



Chipsmall Limited consists of a professional team with an average of over 10 year of expertise in the distribution of electronic components. Based in Hongkong, we have already established firm and mutual-benefit business relationships with customers from,Europe,America and south Asia,supplying obsolete and hard-to-find components to meet their specific needs.

With the principle of “Quality Parts,Customers Priority,Honest Operation,and Considerate Service”,our business mainly focus on the distribution of electronic components. Line cards we deal with include Microchip,ALPS,ROHM,Xilinx,Pulse,ON,Everlight and Freescale. Main products comprise IC,Modules,Potentiometer,IC Socket,Relay,Connector.Our parts cover such applications as commercial,industrial, and automotives areas.

We are looking forward to setting up business relationship with you and hope to provide you with the best service and solution. Let us make a better world for our industry!



## Contact us

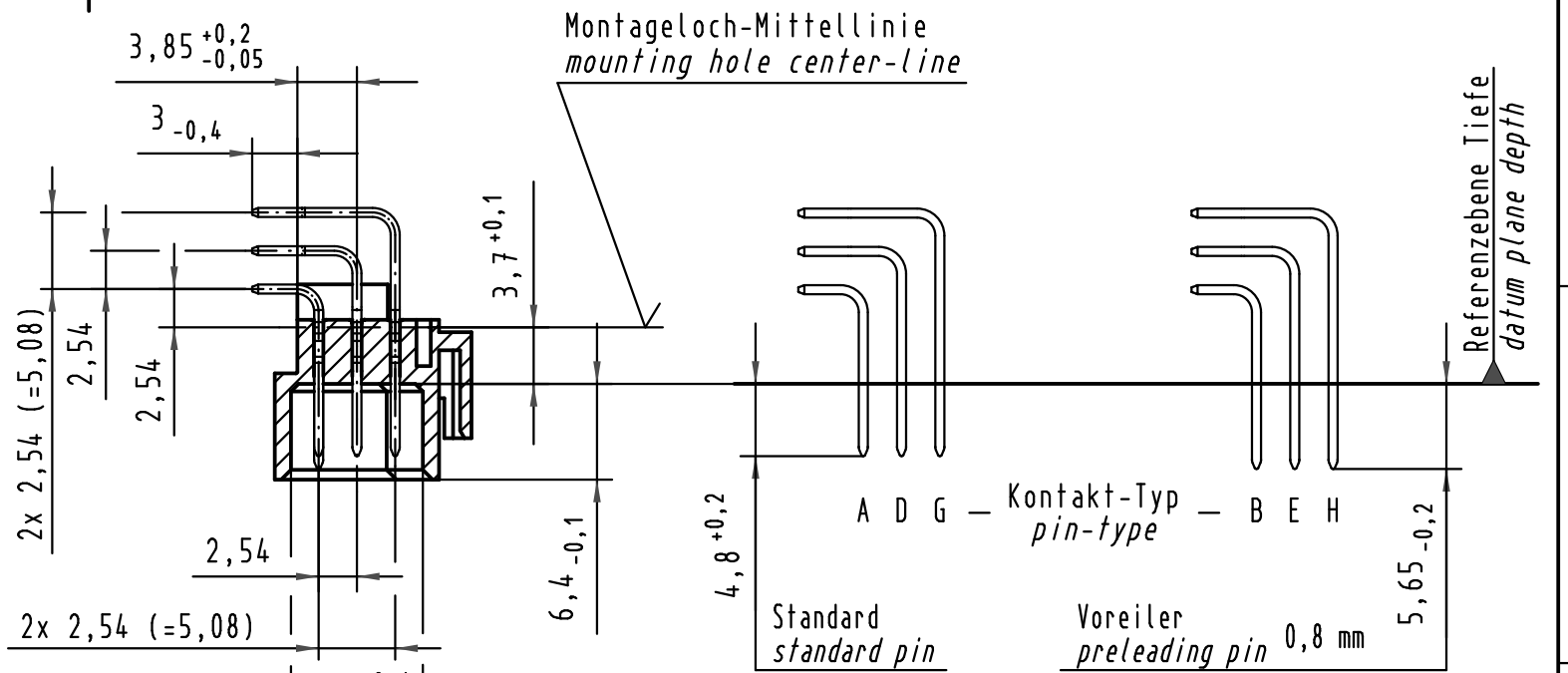
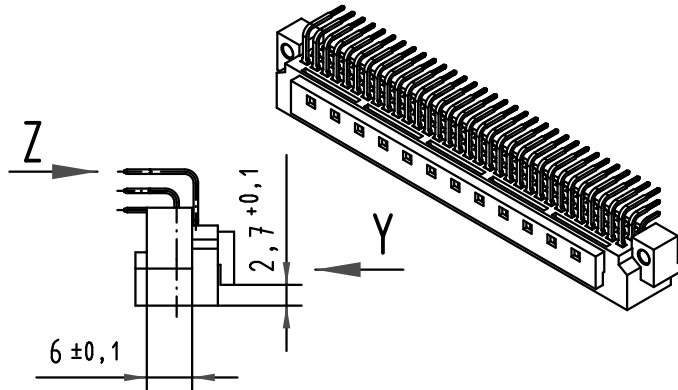
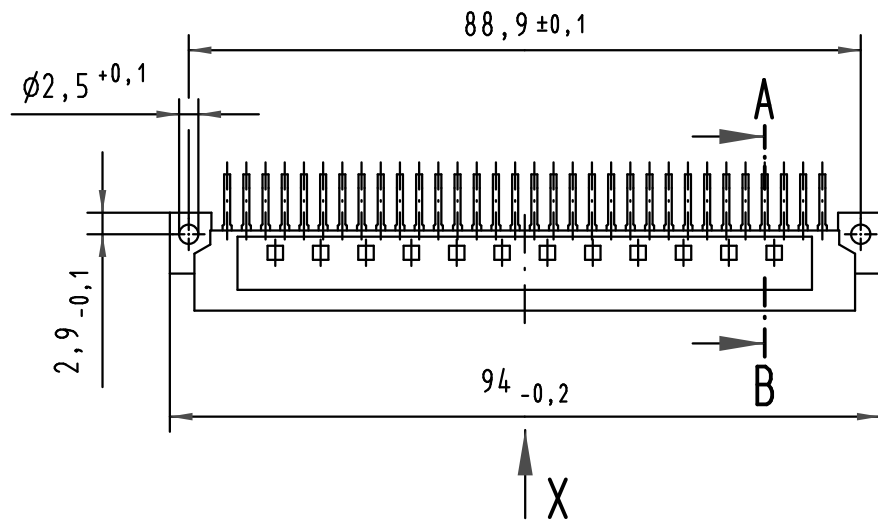
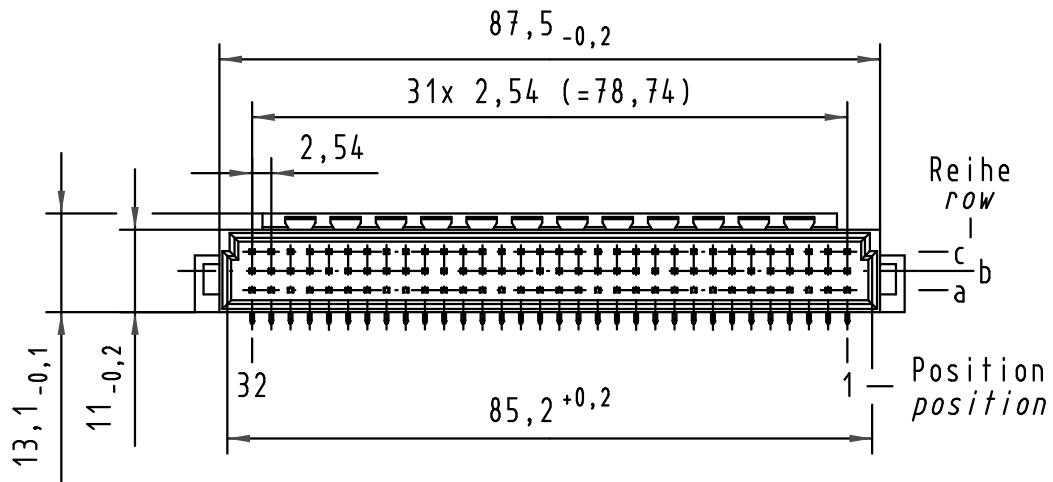
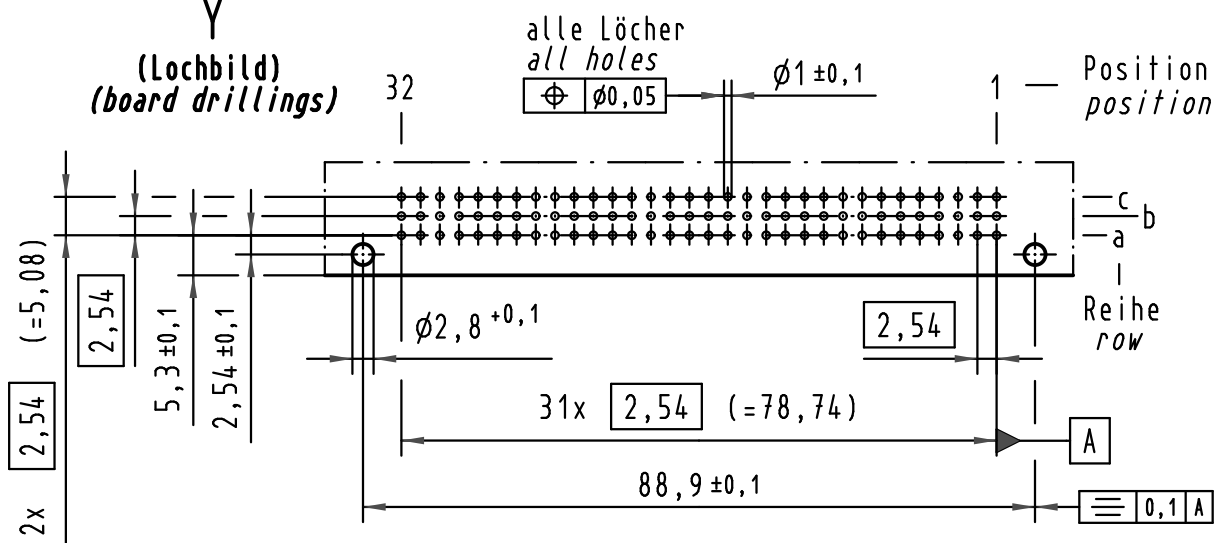
Tel: +86-755-8981 8866 Fax: +86-755-8427 6832

Email & Skype: info@chipsmall.com Web: www.chipsmall.com

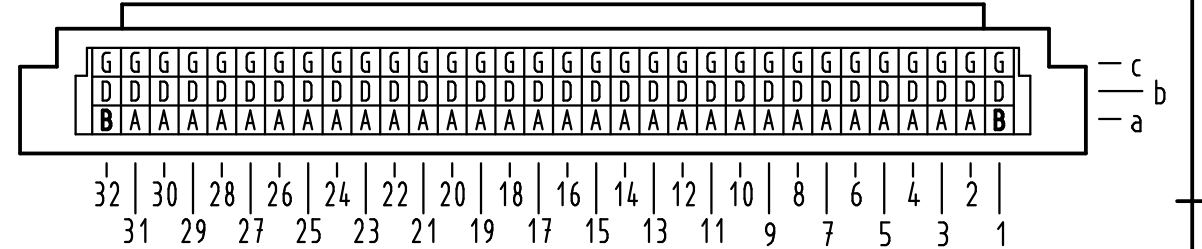
Address: A1208, Overseas Decoration Building, #122 Zhenhua RD., Futian, Shenzhen, China



Y (Lochbild) (board drillings)

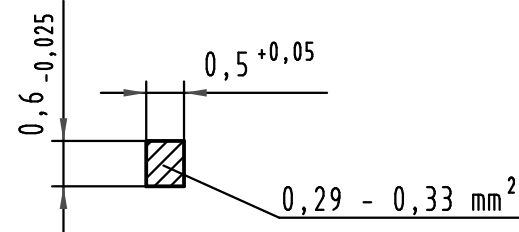


X Kontaktbelegung contact loading



09 03 696 5951	-	min.0,76µm (30µin) Au über/over min.1,27µm (50µin) Ni
09 03 696 4951	VG	Au über/over Ni
09 03 696 7951	3	Au über/over Ni
09 03 696 6951	2	Au über/over Ni
09 03 696 2951	1	Au über/over Ni
Bestell-Nr. part-no.	Anforderungsstufe nach IEC performance level acc.to IEC	Kontaktoberfläche contact plating

Z Querschnitt der Lötanschlüsse: cross-section of solder terminations:



All Dimensions in mm Original Size DIN A 3			Techn. Character.			Nicht tolerierte Maß/Free size tolerances IEC 60603-2		
Detail.	Dat.	Name	Dat.	Name	Maßstab/Scale	Bauform C Messerleiste mit Kodierung Einlöt , 96 pol. type C male connector with coding solder , 96 pol.		
Insp.	29.06.00	Ko.			1:1 2:1 10:1	TB 09 03 696 x951		
Stand.						Sub.		
34650	24.08.07	LehT	HARTING Electronics GmbH & Co. KG D-32339 ESPELKAMP			Blatt/ page		
28002								
Mod.	Dat.	Name						